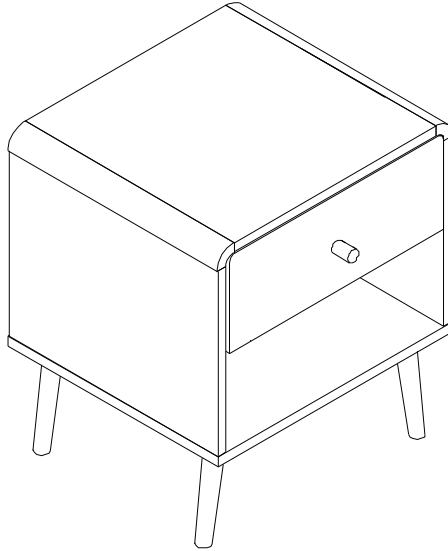


ASSEMBLY INSTRUCTIONS

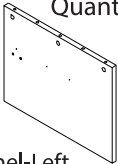
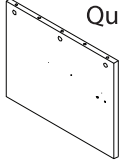
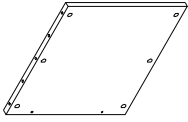
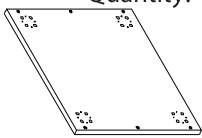
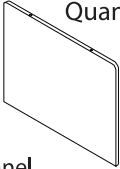

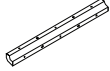
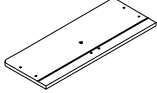


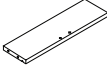

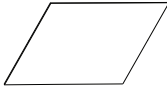
MODEL #T23 E: END TABLE



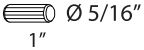
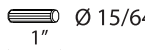

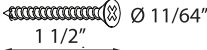



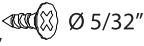
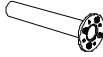
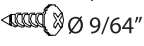




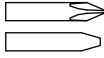
NOTE TO CUSTOMERS:

- For ease and speed of assembly we recommend that before you commence each step of the assembly that you identify all the parts required to complete that step.
- We recommend that where possible you allow sufficient space to assemble the item as close as possible to the place where it will be once assembled.
- For the protection of your furniture we recommend that the product is placed on a dry, soft, smooth and clean surfaces during assembly to prevent any damage. Avoid damp and direct sunlight.
- During assembly do not over tighten the screws or bolts, as this may damage the product.
- Please ensure you retain all the product packaging until the item is completely assembled.
- Periodically check all fitting and re-tighten as necessary.
- Never allow any liquids to remain on your furniture as absorption can cause the wood to warp or finish to de-laminate.
- It is recommended that this item should be assembled by two adults.

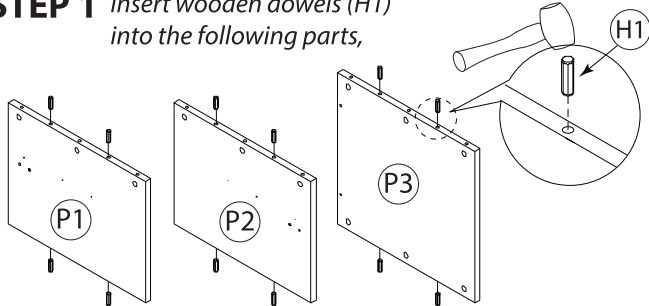
PARTS IDENTIFICATION

P1 Quantity: 1  Side Panel-Left	P2 Quantity: 1  Side Panel-Right	P3 Quantity: 1  Top Panel	P4 Quantity: 1  Bottom Panel	P5 Quantity: 1  Back Panel
P6 Quantity: 1  Spread Bar	P7 Quantity: 2  Corner Connector	P8 Quantity: 1  Drawer Front	P9 Quantity: 1  Drawer Panel-Left	P10 Quantity: 1  Drawer Panel-Right
P11 Quantity: 1  Drawer Panel-Back	P12 Quantity: 1  Drawer Support Bar	P13 Quantity: 1  Drawer Bottom		

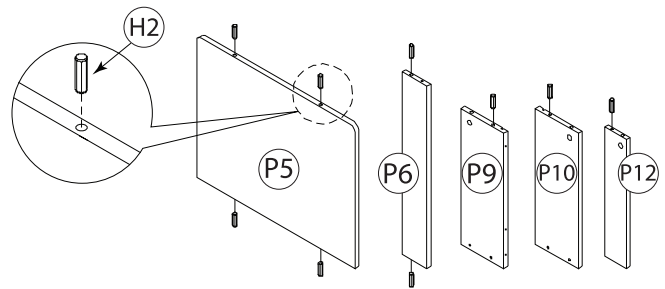
HARDWARE LIST

H1 Wooden Dowel M8 x 25  Quantity: 12 pcs	H2 Wooden Dowel M6 x 25  Quantity: 9 pcs	H3 Connecting Bolts  Quantity: 15 pcs	H4 Screw #9 X 1 1/2"  Quantity: 14 pcs	H5 Cam Lock 15 x 12.5mm  Quantity: 12 pcs
H6 Cam Lock 12 x 9.5mm  Quantity: 3 pcs	H7 Drawer Slide  Quantity: 1 set	H8 Screw M4 X 12mm  Quantity: 12 pcs	H9 Plastic Leg  Quantity: 4 pcs	H10 Screw for Legs M3.5 x 16 pan head  Quantity: 16 pcs
H11 Drawer Pull  Quantity: 1 pc	H12 Screw M4 X 16mm for the Pull  Quantity: 1 pc	H13 Colored Sticker  Quantity: 2 pcs	Tools required: MALLET HOUSEHOLD SCREWDRIVER  	

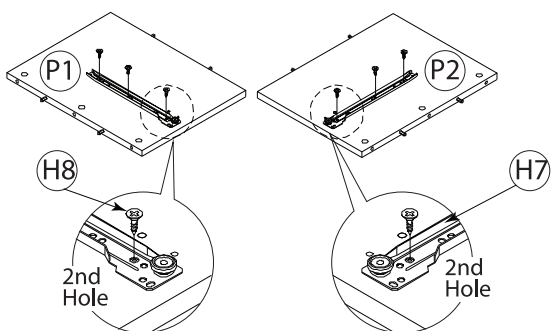
STEP 1 Insert wooden dowels (H1) into the following parts,



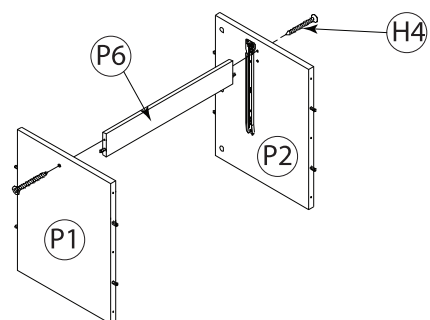
STEP 2 Insert wooden dowels (H2) into the following parts,



STEP 3 Install Drawer Slide (H7) into the following parts,



STEP 4



STEP 5

View from the reverse side

REAR EDGE

STEP 6

BOTTOM VIEW

MAKE SURE ARROW FACE SIDE CORNER

STEP 7

STEP 8

Align the Camlock (H5) & use a screwdriver to turn it to locked position when it is connected to the bolt.

STEP 9

Align the Camlock (H5) & use a screwdriver to turn it to locked position when it is connected to the bolt.

STEP 10 Assemble the Drawer

Align the Camlock (H6) & use a screwdriver to turn it to locked position when it is connected to the bolt.

STEP 11

STEP 12

Paste the provided sticker to cover the screw hole.