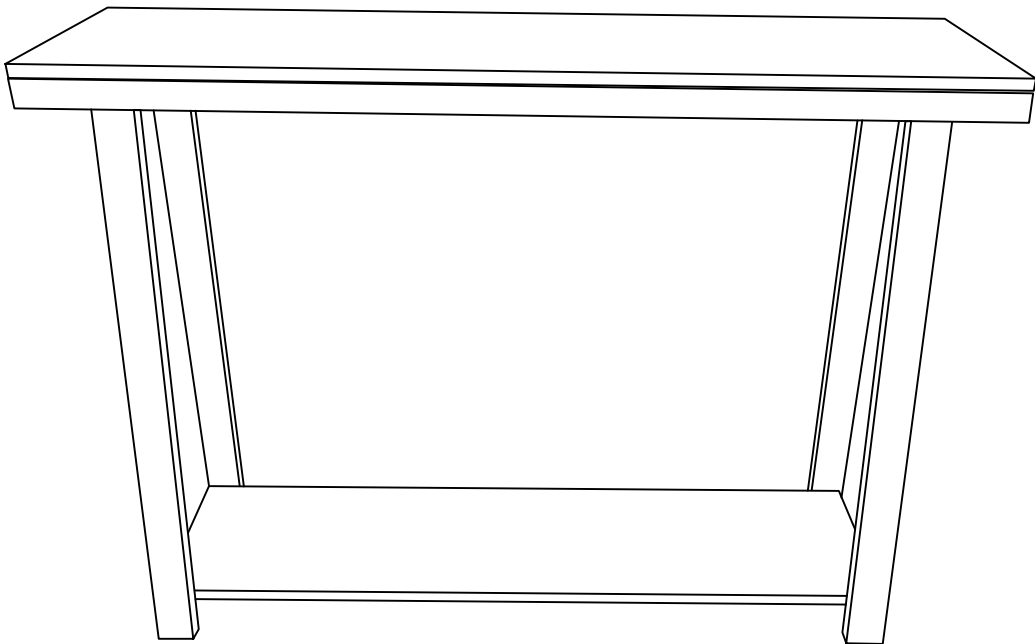


# ASSEMBLY INSTRUCTIONS

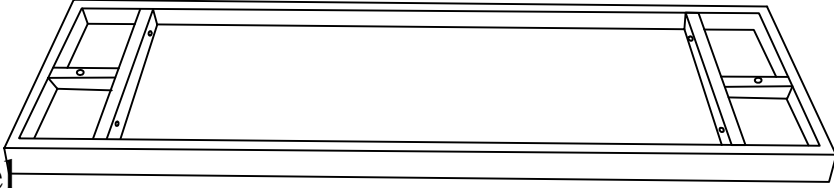
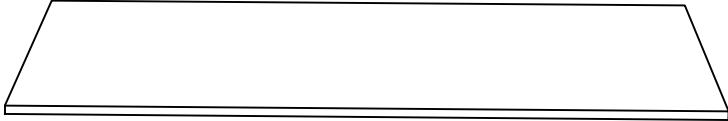
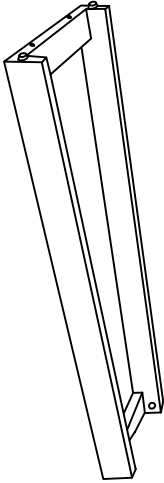
## Style # C1102 Console Table



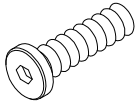




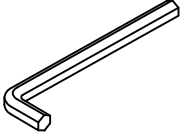
### NOTE TO CUSTOMERS:

- For ease and speed of assembly we recommend that before you commence each step of the assembly that you identify all the parts required to complete that step.
- We recommend that where possible you allow sufficient space to assemble the item as close as possible to the place where it will be once assembled.
- For the protection of your furniture we recommend that the product is placed on protected surfaces during assembly to prevent any damage.
- During assembly do not over tighten ,as this may damage the product.
- Please ensure you retain all the product packaging until the item completely assembled.
- Please periodically check all fittings and re-tighten as necessary.
- Never allow any liquids to remain on your furniture as absorption can cause the wood to warp or the finish to de-laminate.
- It is recommended that this item should be assembled by two adults.

# Part List



A1		Quantity of 1
Top Panel		
A2		Quantity of 1
Shelf		
A3		Quantity of 1
Leg		

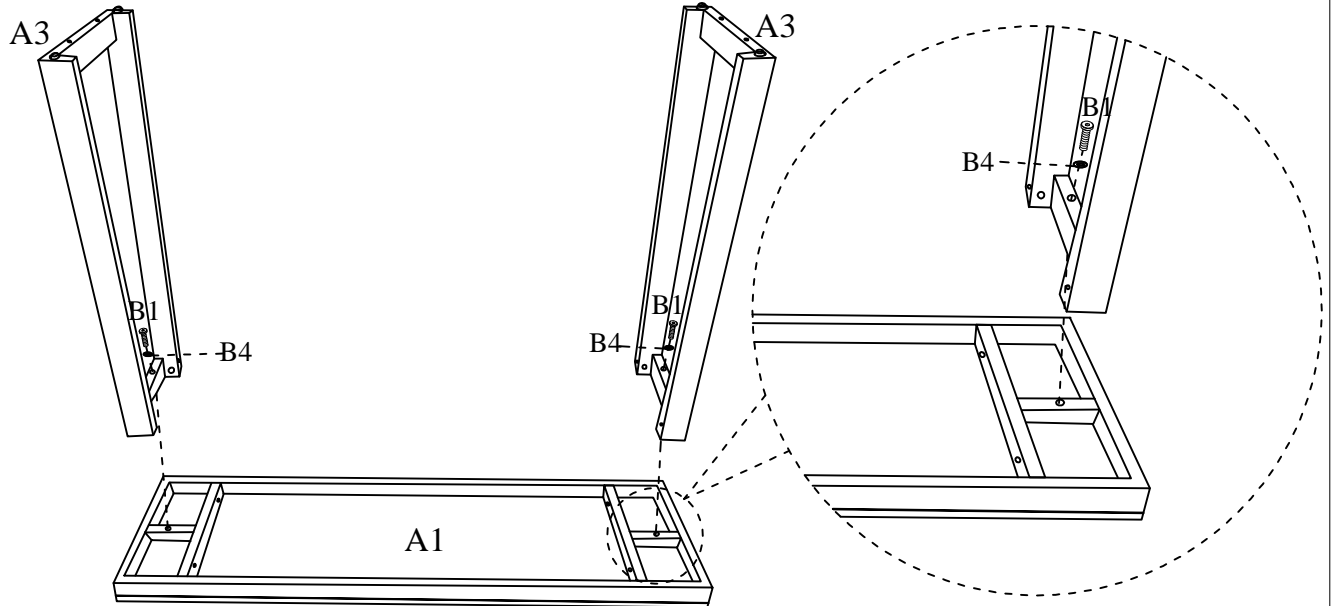
## Hardware List

B1		Quantity of 6	B2		Quantity of 4
Bolt			Nut		
B3		Quantity of 4	B4		Quantity of 6
Screw			Washer		
B5		Quantity of 2	B6		Quantity of 1
Wooden Dowel			Allen Wrench		

# Step 1:




# Assembly instructions

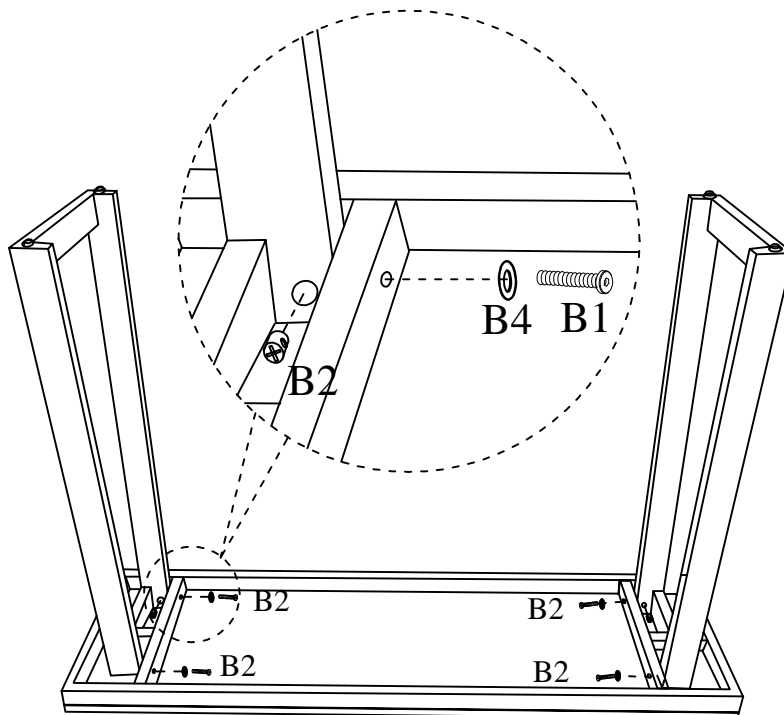
- B1 :  2pcs
- B4 :  2pcs



Do not fully tighten Bolts until Step 2 .



# Step 2:

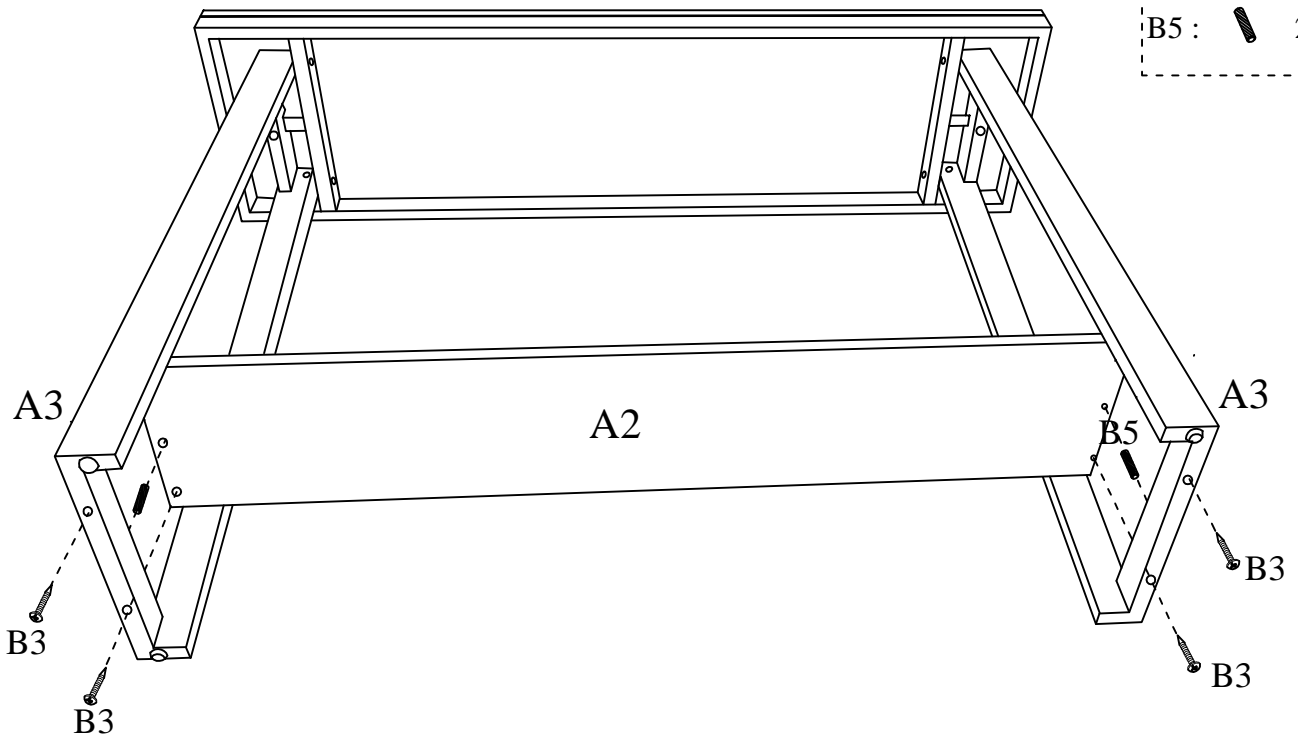
- B1 :  4pcs
- B2 :  4pcs
- B4 :  4pcs



Do not fully tighten Bolts until all of the bolts are attached.

# Step 3:

- B3 :  4pcs
- B5 :  2pcs



Assemble Shelf A2 to Legs A3 using Screws B3 and Wooden dowels B5 as shown above.

