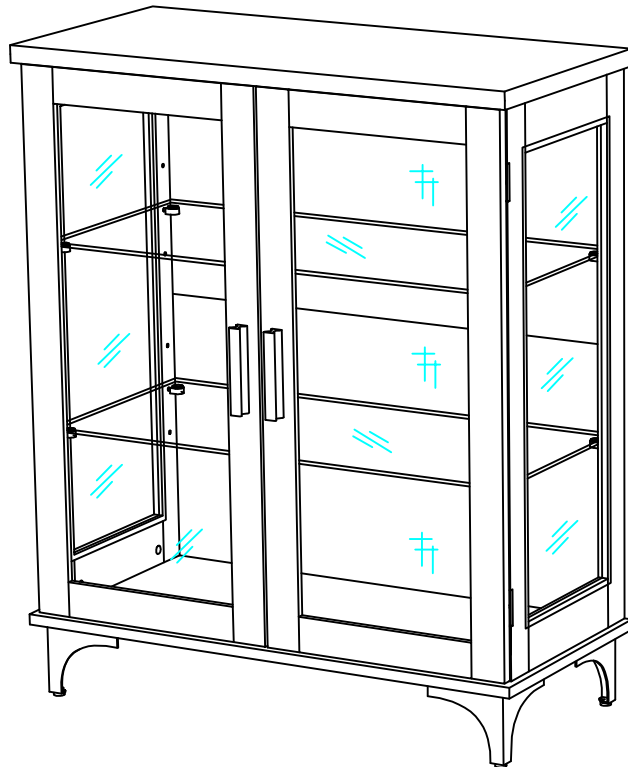


ASSEMBLY INSTRUCTIONS

Style#CU1447/CU1448 Curio



NOTE TO CUSTOMERS:

- For ease and speed of assemble we recommend that before you commence each step of the assembly that you identify all the parts required to complete that step.
- We recommend that where possible you allow sufficient space to assemble the item as close as possible to the place where it will be once assembled.
- For the protection of your furniture we recommend that the product is placed on protected surfaces during assembly to prevent any damage.
- During assembly do not over tighten, as this may damage the product.
- Please ensure you retain all the product packaging until the item completely assembled.
- Please periodically check all fittings and re-tighten as necessary.
- Please never allow any liquids to remain on your furniture as absorption can cause the wood to warp or the finish to de-laminate.
- It is recommended that this item should be assembled by two adults.

To use a cam lock:(Please read below instructions before assembling)

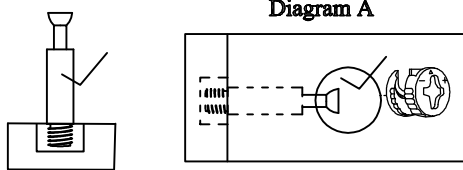


Diagram A

1.Insert cam screw into holes as shown in diagram A.

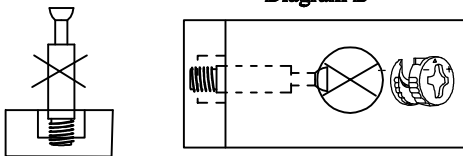


Diagram B

Make sure not to insert the cam screw too deep as shown in figure B, as this can lead to misalignment and prevent proper interlocking.

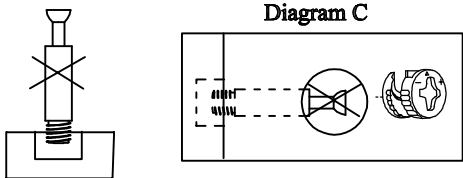
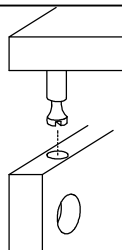
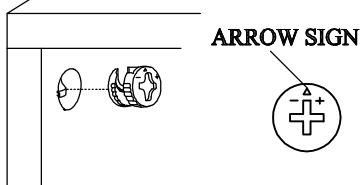


Diagram C

Also avoid inserting the cam screw too close to the surface as shown in figure C, since this can cause the cam lock to loosen and fail to interlock properly.

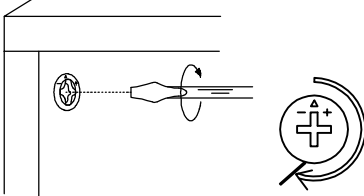


2.Connect the panels together.



ARROW SIGN

3.When inserting the cam lock make sure the arrow of the cam lock faces the cam screw.





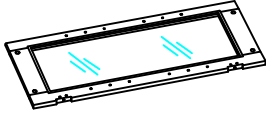
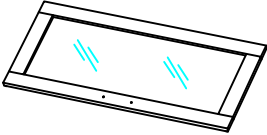
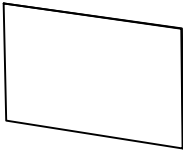
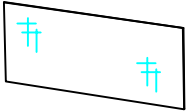

4.To tighten the cam lock, turn it clockwise by 90 to 180 degrees, or until the arrow points away from where the cam lock was inserted.

NOTE:DO NOT USE AN AUTOMATIC SCREWDRIVER TO TIGHTEN CAM LOCKS.


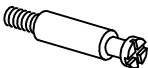


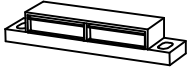

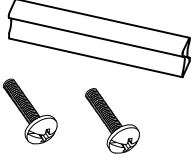
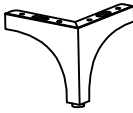
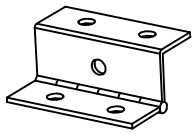

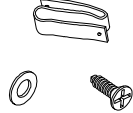

Note:

- Read these instructions carefully before assembling.
- Tools required:Phillips screwdriver, flat screwdriver.
- Find a clean, smooth area on which to work, such as a carpet, in order to avoid scratching the wood surface.
- Wait to dispose of the packing material until assembly is complete and all parts and hardware are accounted for.
- Two or more people might be required for assembly.
- Max weight capacity of each shelf 10LBS, total Max weigh capacity 50LBS.

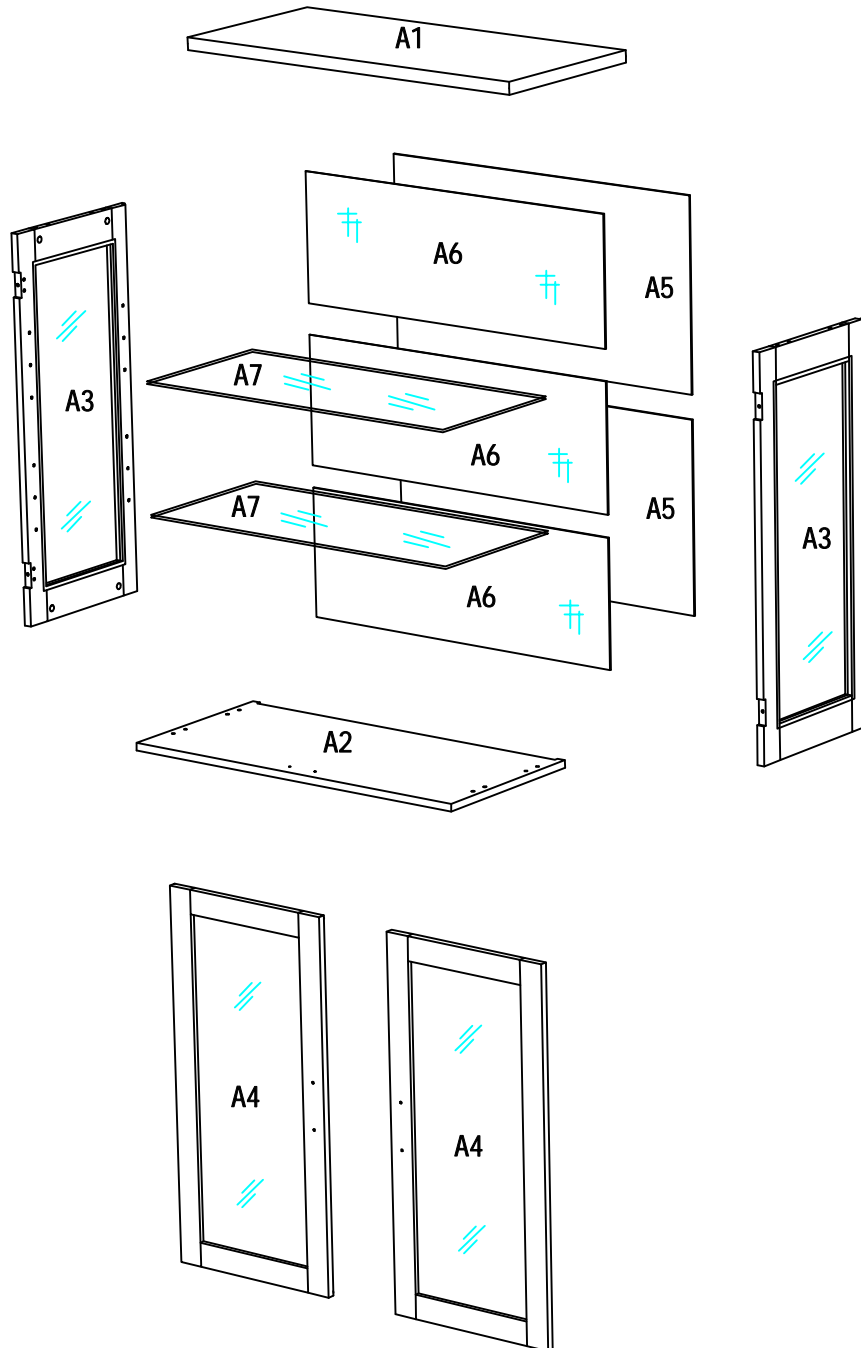
Part List

<p>A1. Qty:1</p>  <p>Top Panel</p>	<p>A2. Qty:1</p>  <p>Bottom Panel</p>	<p>A3. Qty:2</p>  <p>Left & Right Side Panel</p>	<p>A4. Qty:2</p>  <p>Left & Right Door</p>
<p>A5. Qty:2</p>  <p>Back Panel</p>	<p>A6. Qty:3</p>  <p>Mirror Panel</p>	<p>A7. Qty:2</p>  <p>Glass Shelf</p>	

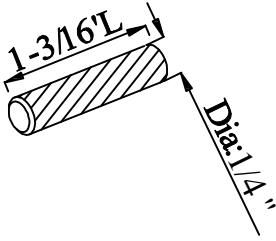
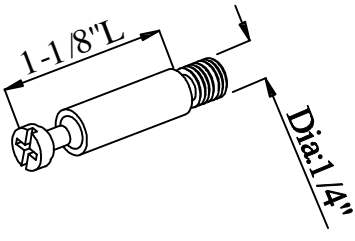
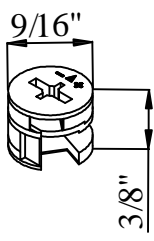
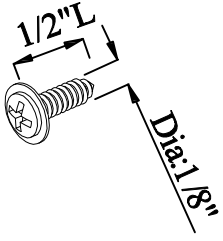
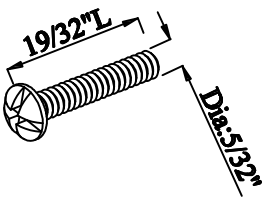
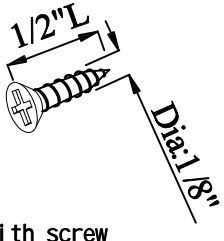
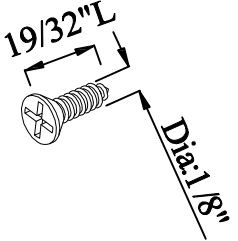
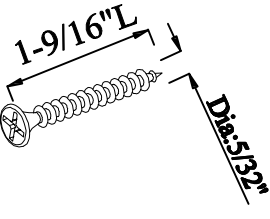
Hardware List

<p>B1. Qty:8</p>  <p>Wood Dowel</p>	<p>B2. Qty:8</p>  <p>Cam- Bolt</p>	<p>B3. Qty:8</p>  <p>Cam- Lock</p>	<p>B4. Qty:40</p>  <p>Screw</p>
<p>B5. Qty:2</p>  <p>Magnet</p>	<p>B6. Qty:8</p>  <p>Shelf Support</p>	<p>B7. Qty:2</p>  <p>Handle with bolt</p>	<p>B8. Qty:4</p>  <p>Metal Leg</p>
<p>B9. Qty:4</p>  <p>Hinge</p>	<p>B10. Qty:20</p>  <p>Screw</p>	<p>B11. Qty:1</p>  <p>Anti-tip kit</p>	<p>B12. Qty:1</p>  <p>Wall Anchor</p>

Part List

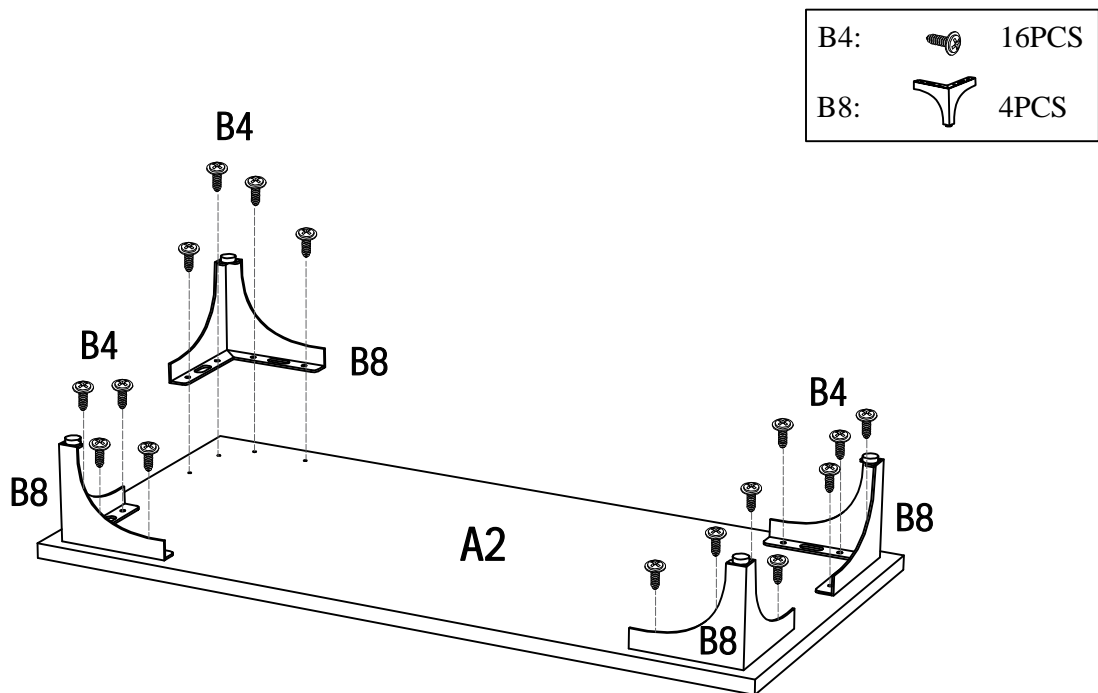


APPENDIX: Dimension of Hardware in this AI.

<p>B1.</p>  <p>Wood Dowel</p>	<p>B2.</p>  <p>Cam-bol t</p>	<p>B3.</p>  <p>Cam-nut</p>
<p>B4.</p>  <p>Screw</p>	<p>B7.</p>  <p>Knob wi th bol t</p>	<p>B10.</p>  <p>Hi hng wi th screw</p>
<p>B11.</p>  <p>Anti-tip kit</p>	<p>B12.</p>  <p>Wall anchor with screw</p>	

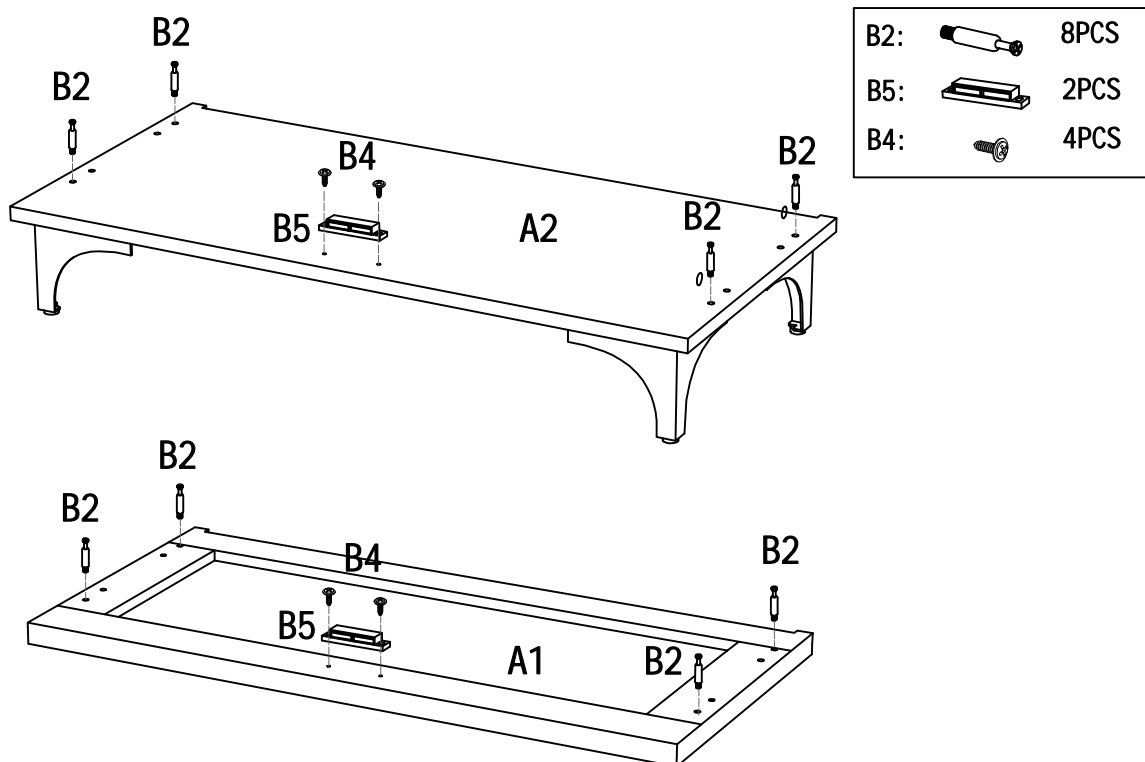
Assembly Instructions

Step 1



Assemble Metal Legs B8 to the bottom of Bottom Panel A2 using Screws B4 as shown above.

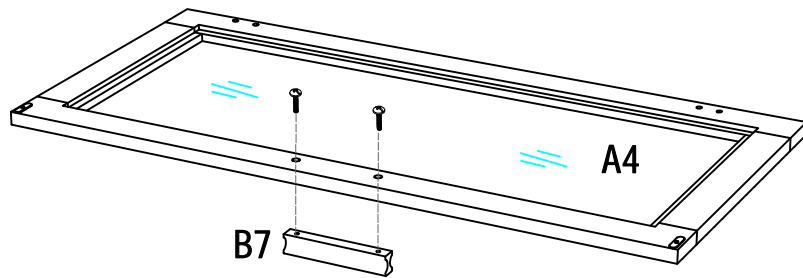
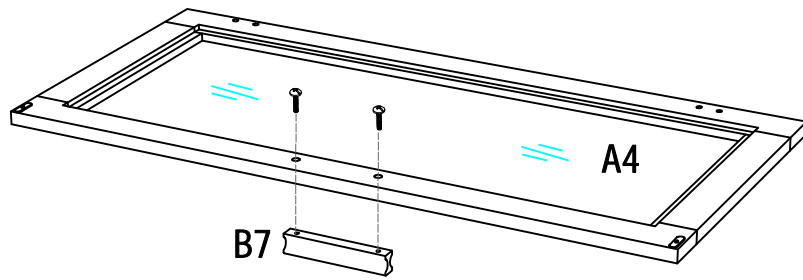
Step 2



Assemble Magnets B5 using Screws B4 to Bottom Panel A2 & Top Panel A1 as shown above, then tighten Cam-Bolts B2 to Top Panel & Bottom Panel as shown above.

Step 3

B7:  2SETS

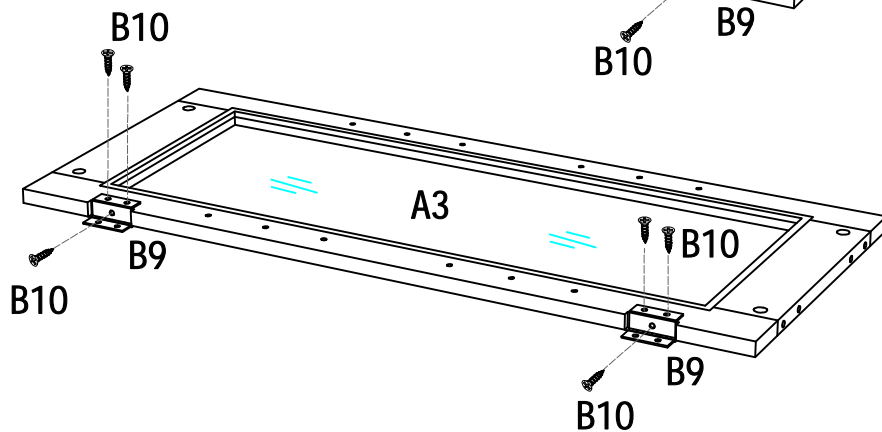
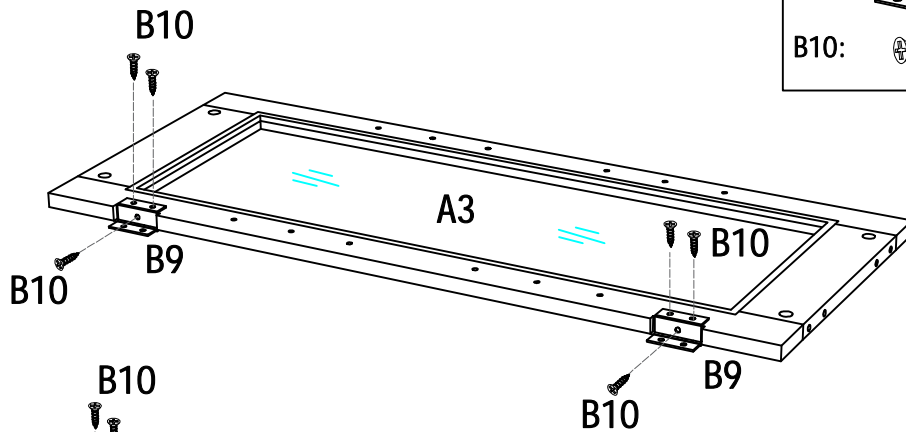


Assemble Handles B7 to Doors A4 using included bolts as shown above.

Step 4

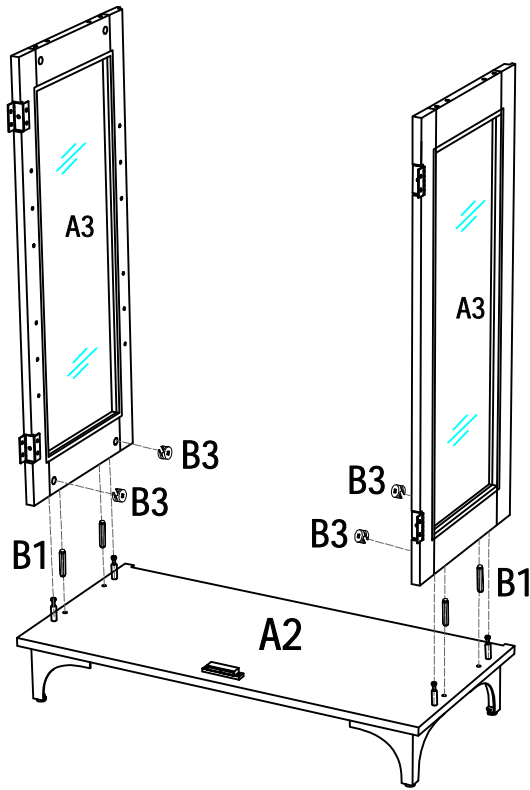
B9:  4PCS



B10:  12PCS



Assemble Hinges B9 to Side Panels A3 using Screws B10 as shown above.

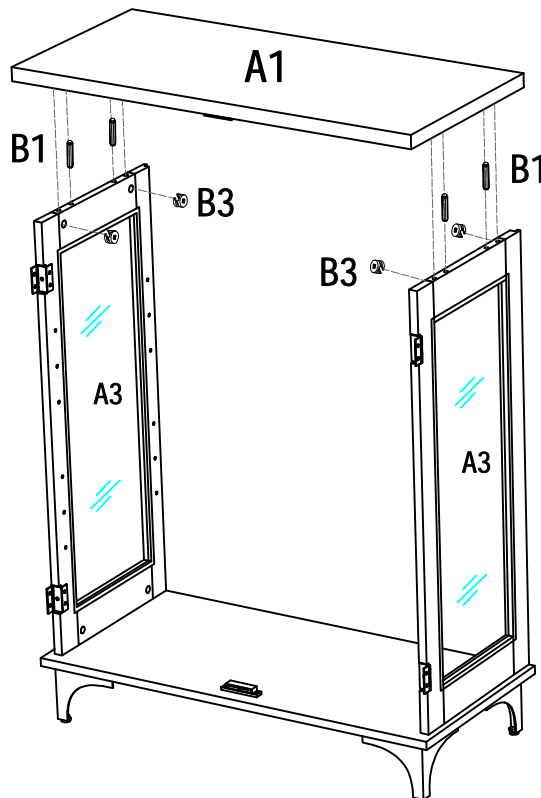
Step 5





B1:		4PCS
B3:		4PCS

Assemble Side Panels A3 to Bottom Panel A2 using Cam-Locks B3 & Wood Dowels B1 as shown above.

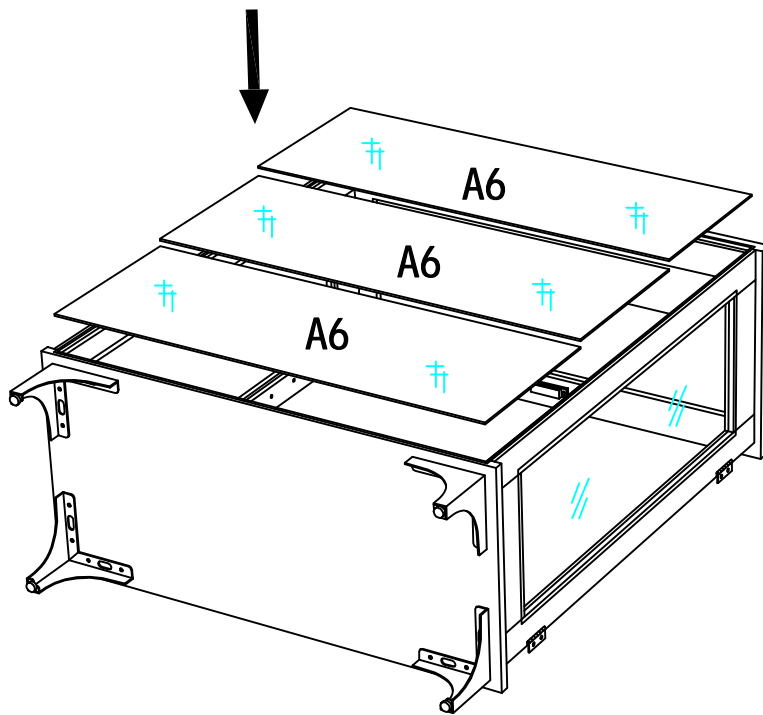
Step 6



B1:		4PCS
B3:		4PCS

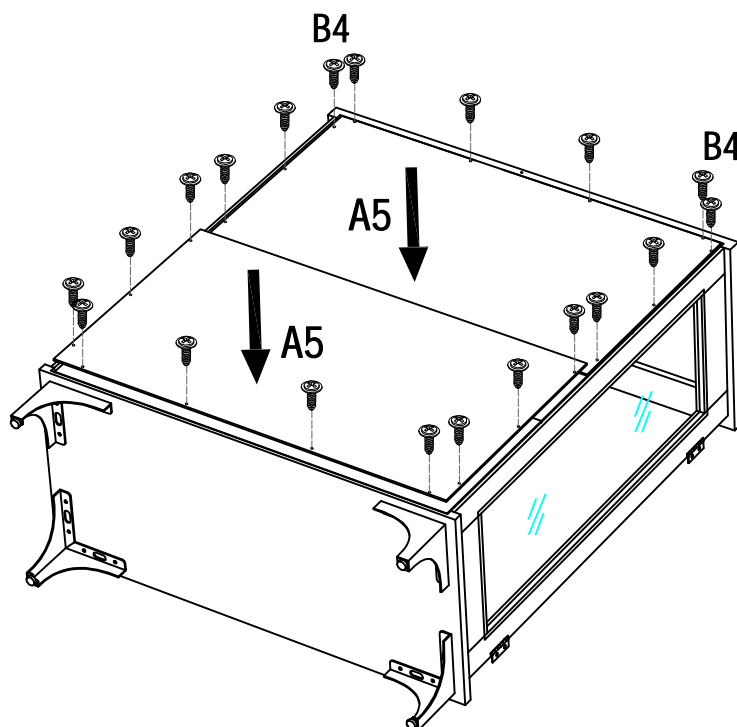
Assemble Top Panel A1 to Side Panels A3 using Cam-Locks B3 & Wood Dowels B1 as shown above.

Step 7



Place Mirror Panels A6 into the grooves on Side Panels A3 & Top Panel A1 & Bottom Panel A2 as shown above.

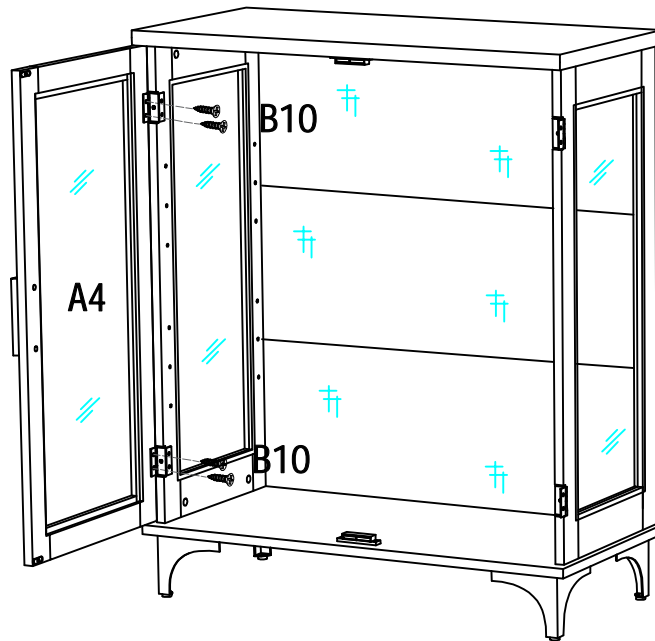
Step 8



Place Back Panels A5 into grooves on Side Panels A3 & Top Panel A1 & Bottom Panel A2 as shown above, then tighten them using Screws B4.

Step 9

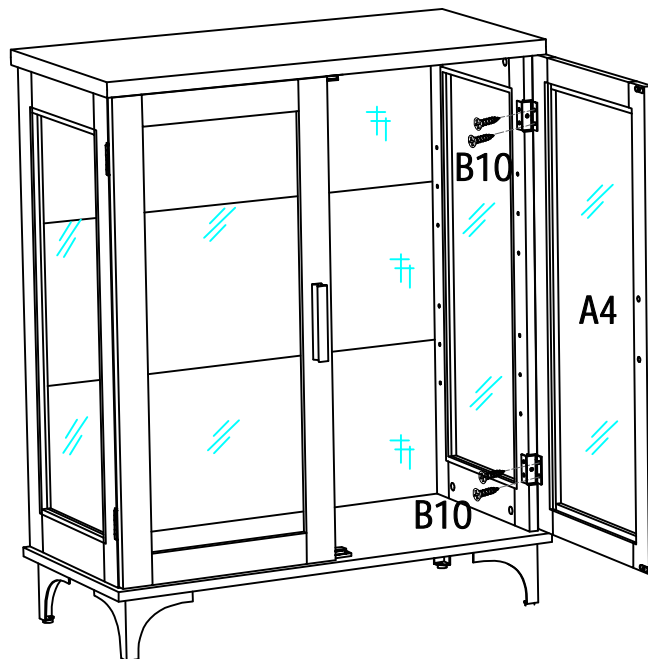
B10:  4PCS



Assemble Door A4 to Side Panel A3 using Screws B10 as shown above.

Step 10

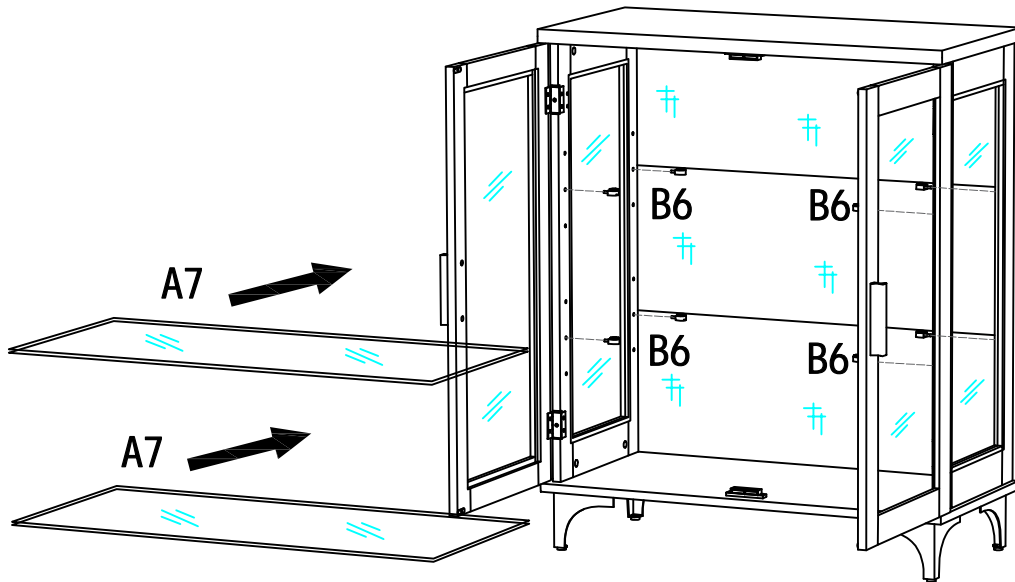
B10:  4PCS



Assemble other Door A4 to Side Panel A3 using Screws B10 as shown above.


Step 11

B6:  8PCS

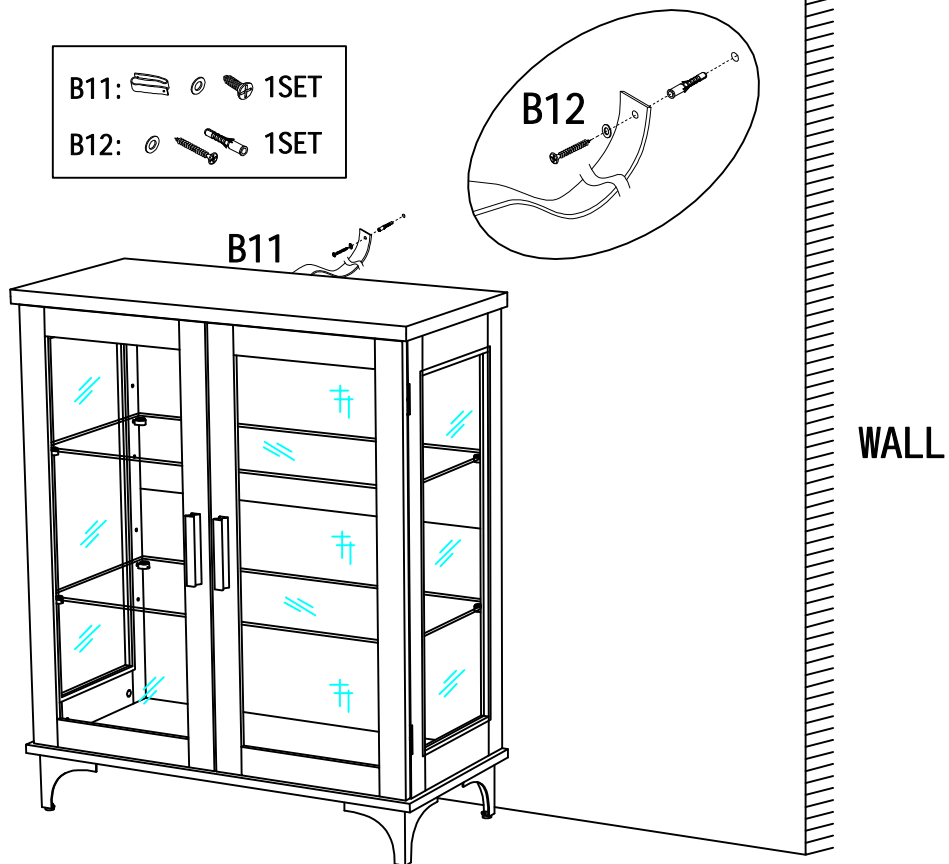


Insert Shelves Supports B6 into holes on Side Panels A3 as shown above, then place Glass shelves A7 onto Shelves Supports B6 as shown above.

Step 12

B11:  1SET

B12:  1SET



For your safety, attach unit to the wall by Anchor with screws B12 and Anti-tip Kit B11 as shown above.