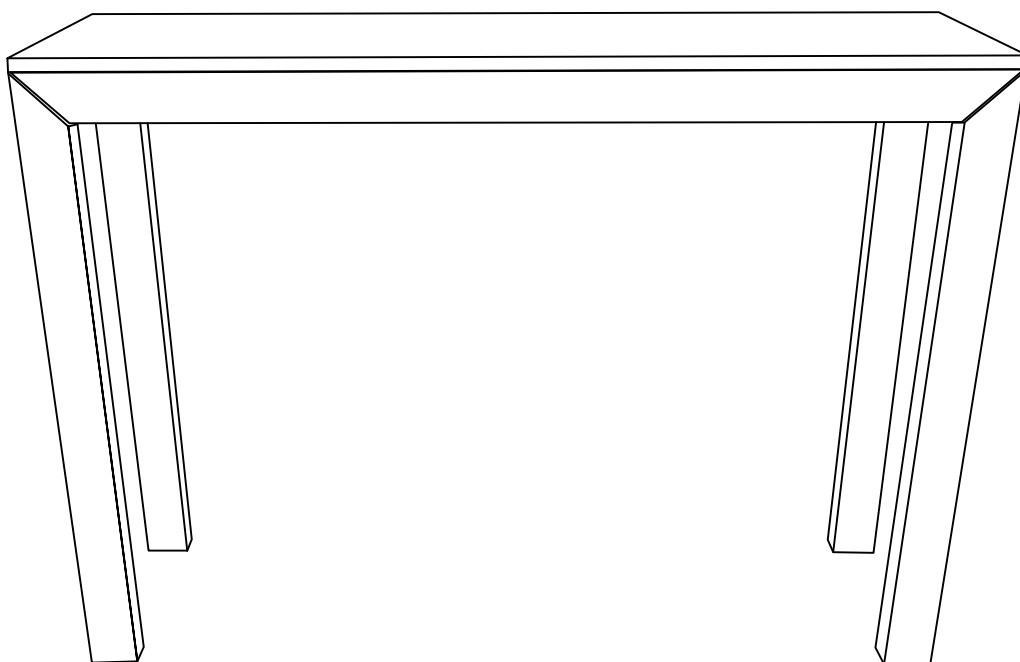


# ASSEMBLY INSTRUCTIONS

## Style # C1105 Console Table



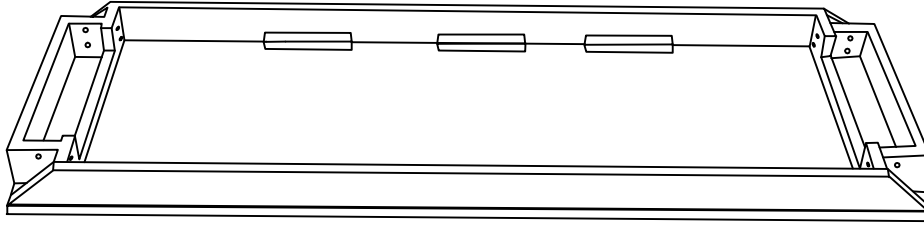
### NOTE TO CUSTOMERS:

- For ease and speed of assembly we recommend that before you commence each step of the assembly that you identify all the parts required to complete that step.
- We recommend that where possible you allow sufficient space to assemble the item as close as possible to the place where it will be once assembled.
- For the protection of your furniture we recommend that the product is placed on protected surfaces during assembly to prevent any damage.
- During assembly do not over tighten ,as this may damage the product.
- Please ensure you retain all the product packaging until the item completely assembled.
- Please periodically check all fittings and re-tighten as necessary.
- Never allow any liquids to remain on your furniture as absorption can cause the wood to warp or the finish to de-laminate.
- It is recommended that this item should be assembled by two adults.

# Part List

A1

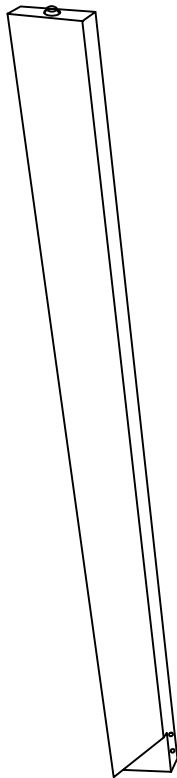
Quantity  
of 1



Top Panel

A2

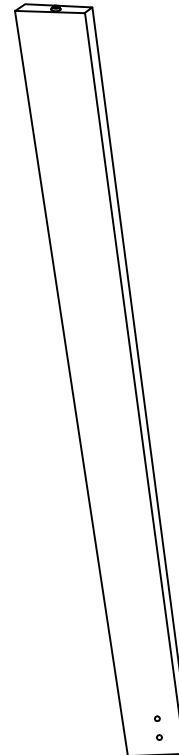
Quantity  
of 2



Leg

A3

Quantity  
of 2



Leg

# Hardware List


B1

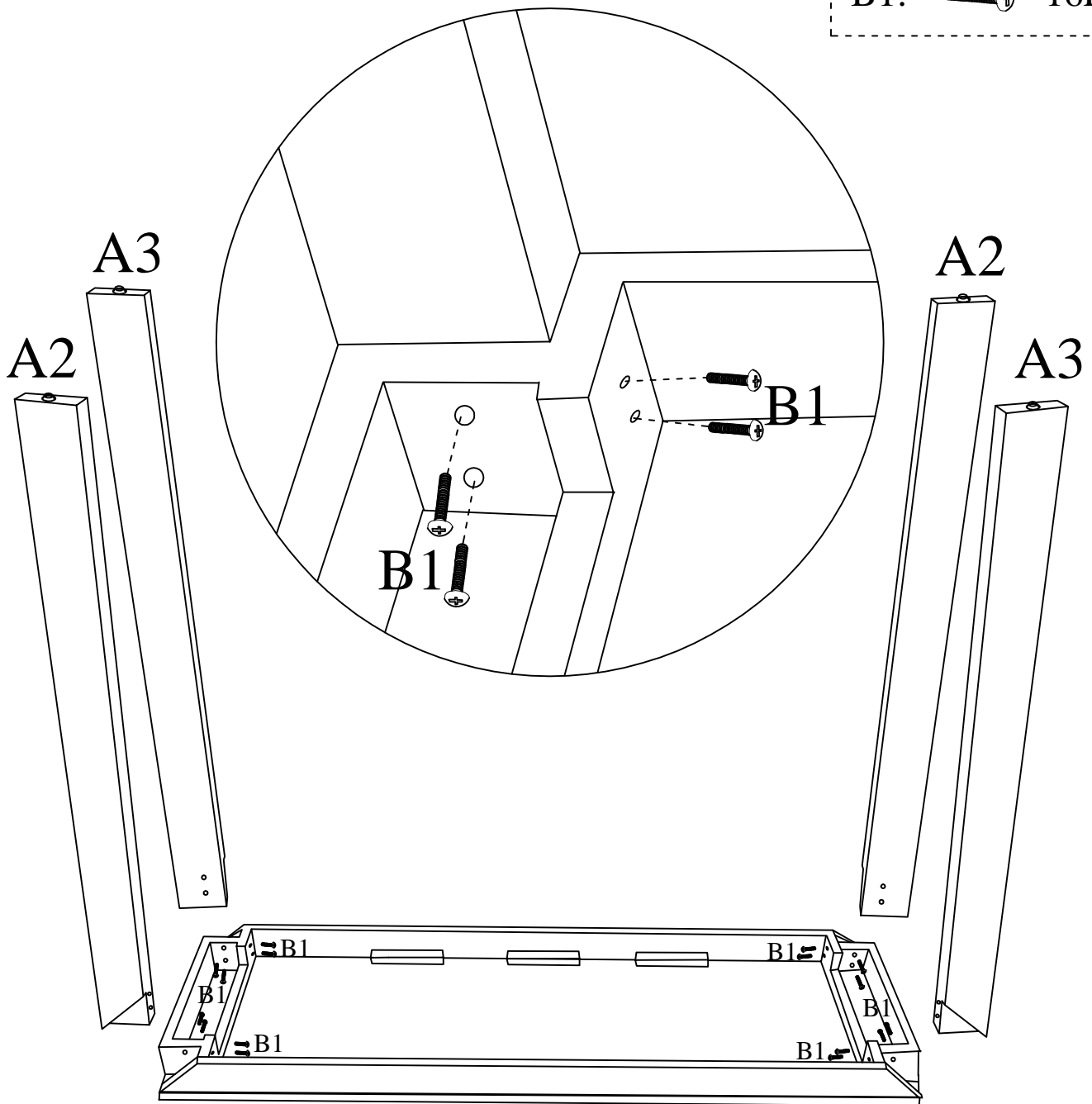
Quantity  
of 16



Bolt

# Assembly instructions

B1:  16PCS



Assemble Legs A2 & A3 to the bottom of Table top A1 using Bolts B1 as shown above.