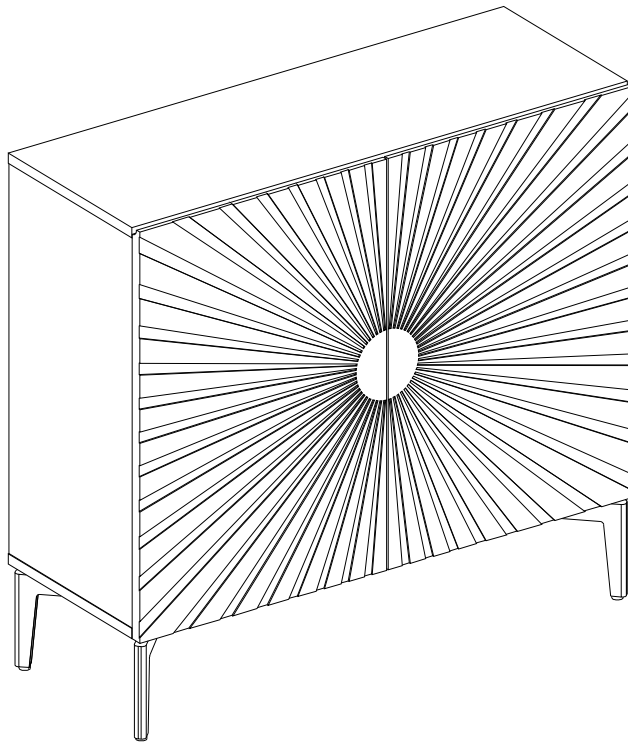


ASSEMBLY INSTRUCTIONS

Style # C1164 Console

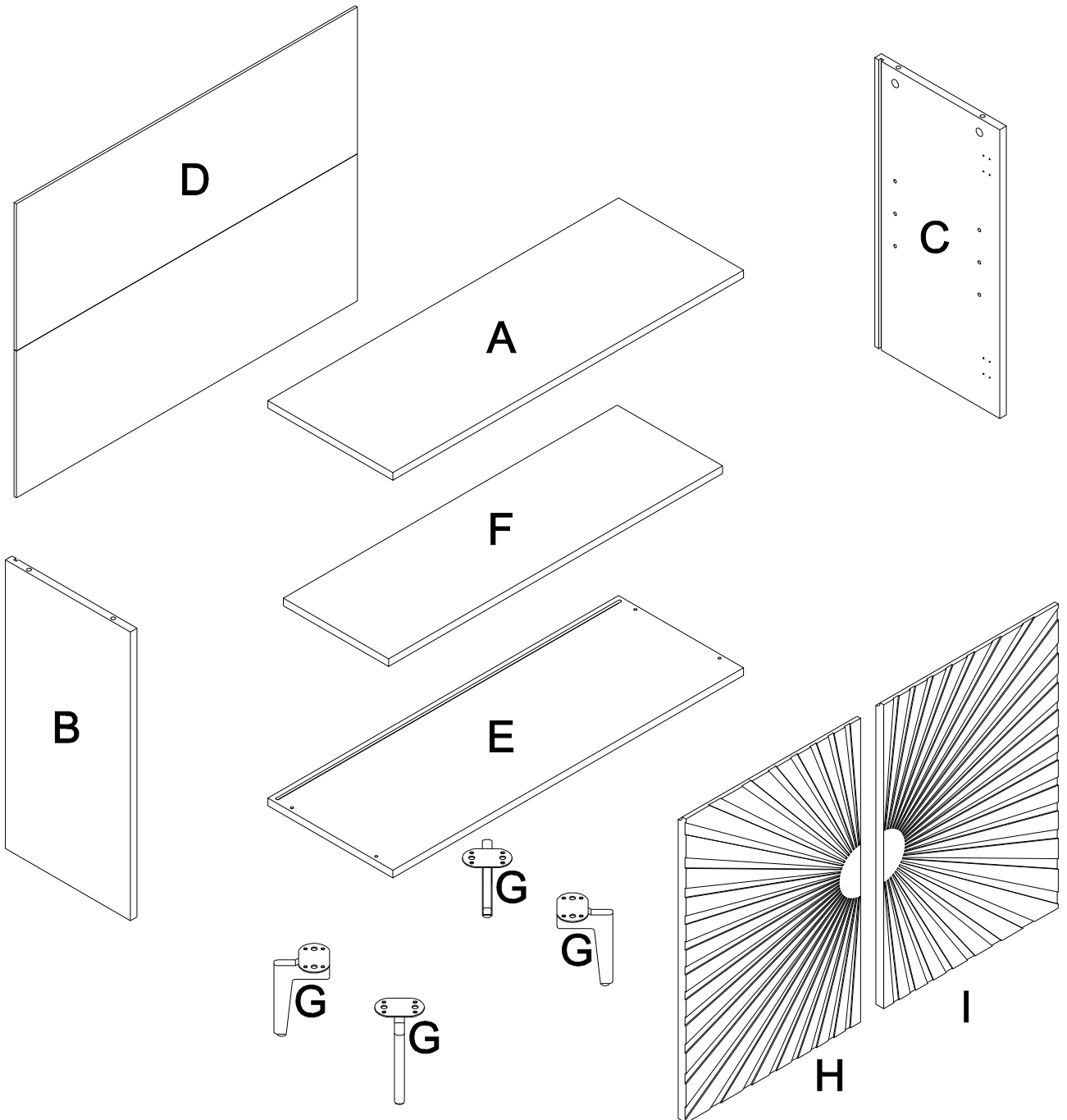


NOTE TO CUSTOMERS:


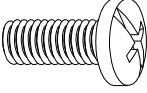
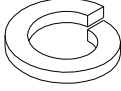
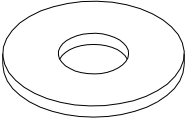

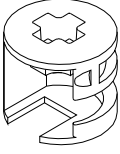
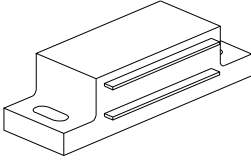
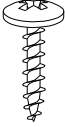
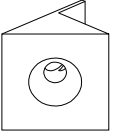
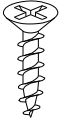
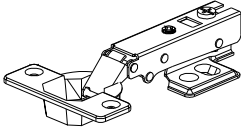
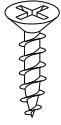
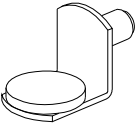
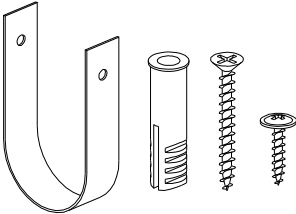
- For ease and speed of assembly we recommend that before you commence each step of the assembly that you identify all the parts required to complete that step.
- We recommend that where possible you allow sufficient space to assemble the item as close as possible to the place where it will be once assembled.
- For the protection of your furniture we recommend that the product is placed on protected surfaces during assembly to prevent any damage.
- During assembly do not over tighten, as this may damage the product.
- Please ensure you retain all the product packaging until the item completely assembled.
- Please periodically check all fittings and re-tighten as necessary.
- It is recommended that this item should be assembled by two adults.

Parts List

A	Top panel	1pc	E	Bottom Panel	1pc
B	Side Panel	1pc	F	Shelf	1pc
C	Side Panel	1pc	G	Leg	4pcs
D	Back Panel	1pc	H	Door	1pc
			i	Door	1pc

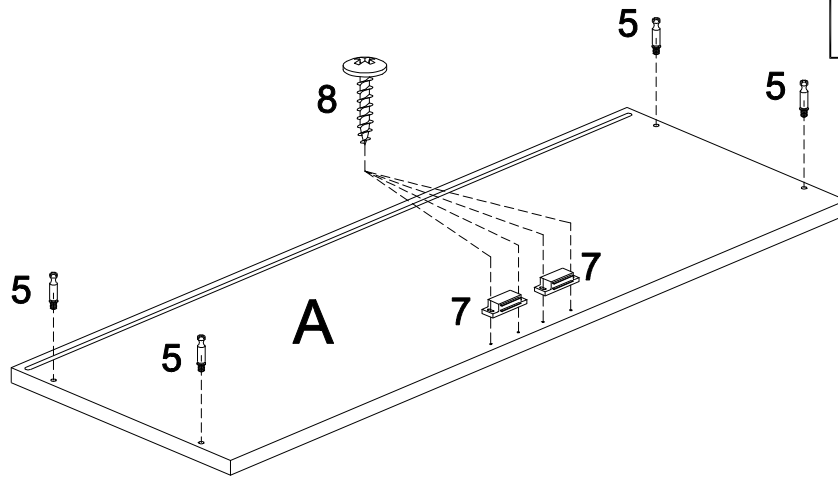



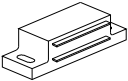

Hardware List

<p>1 Quantity of 4</p>  <p>Dia M5 x 40mm Screw</p>	<p>2 Quantity of 8</p>  <p>Dia M6 x 15mm Bolt</p>	<p>3 Quantity of 8</p>  <p>Lock Washers</p>	<p>4 Quantity of 8</p>  <p>Flat Washers</p>
<p>5 Quantity of 4</p>  <p>Cam-bolt</p>	<p>6 Quantity of 4</p>  <p>Locking Wheel</p>	<p>7 Quantity of 2</p>  <p>Door Magnet</p>	<p>8 Quantity of 4</p>  <p>Screws</p>
<p>9 Quantity of 10</p>  <p>Back Panel Clip</p>	<p>10 Quantity of 10</p>  <p>Screws</p>	<p>11 Quantity of 4</p>  <p>Hinge</p>	<p>12 Quantity of 24</p>  <p>Screws</p>
<p>13 Quantity of 4</p>  <p>Shelf Clip</p>	<p>14 Quantity of 1</p>  <p>Anti-tipping Hardware</p>		

Assemble instructions

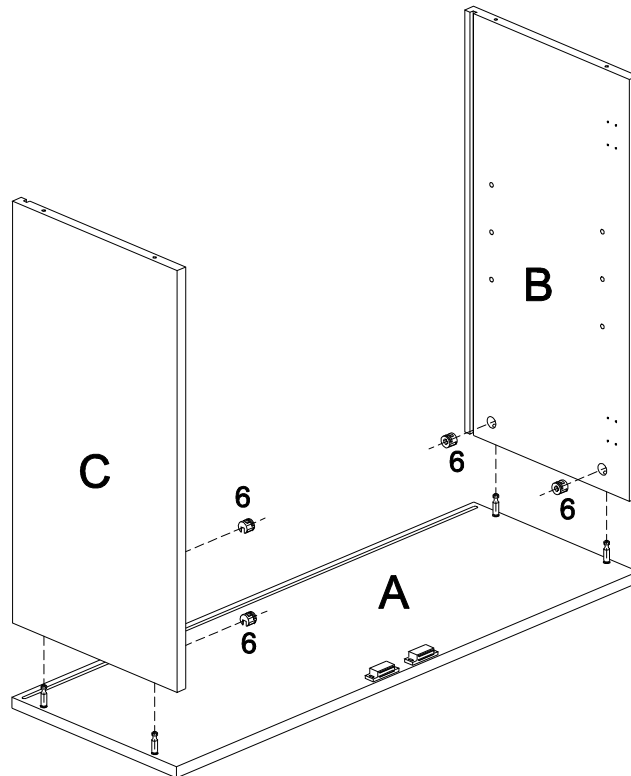
Step 1:



5		4PCS
7		2PCS
8		4PCS

Assemble Magnets(7) to Top Panel(A) using screws(8), then tighten Cam-bolts(5) to the top panel as shown above.

Step 2:

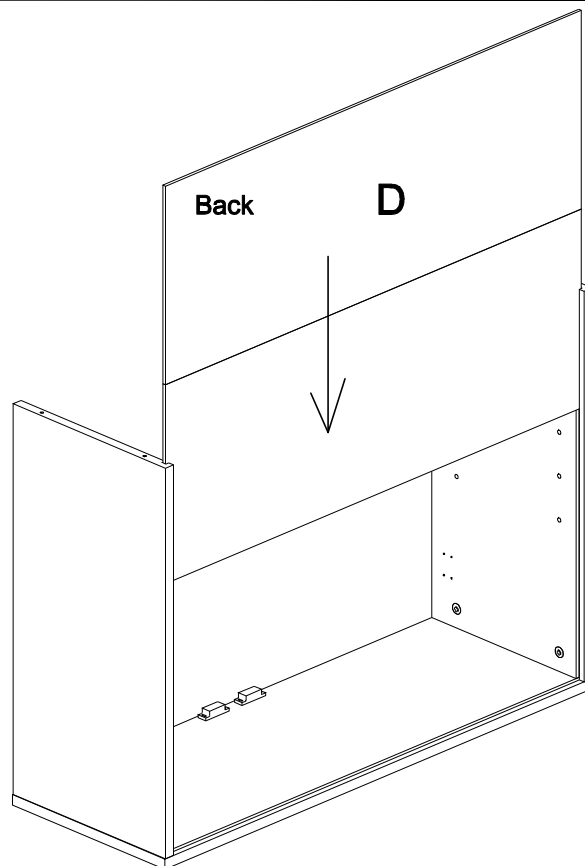


6		4PCS
---	---	------

Assemble Side Panels(C&B)to Top Panel (A) using Cam-locks&bolts(5&6) as shown above.

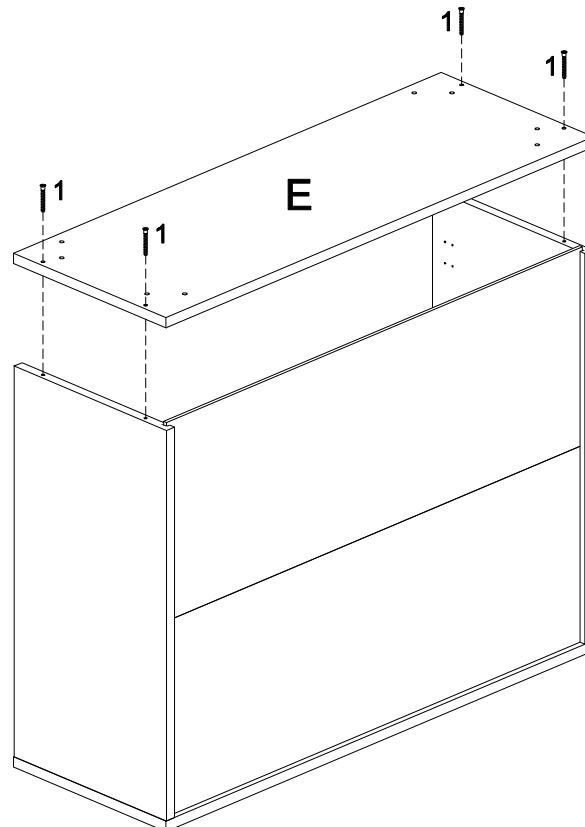
Assemble instructions

Step 3:



Insert Back Panel (D) into the grooves on Side Panels as shown above.

Step 4:

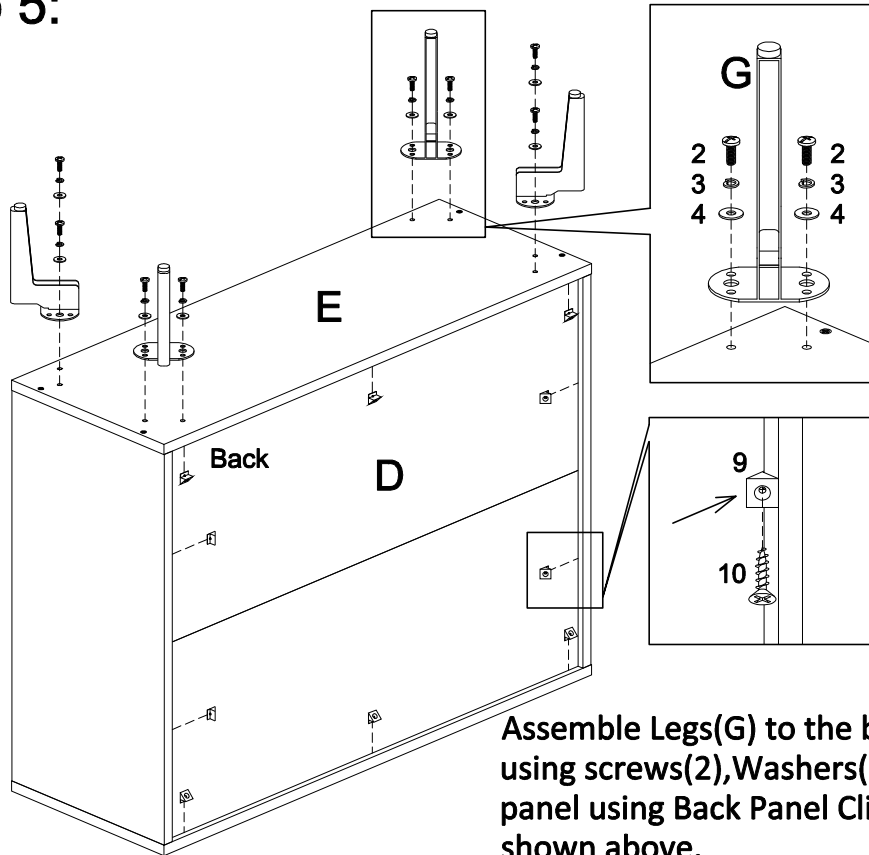


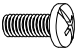


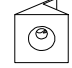

1  4PCS

Assemble Bottom Panel(E) to Side Panels(C&B) using Screws(1) as shown above.

Assemble instructions

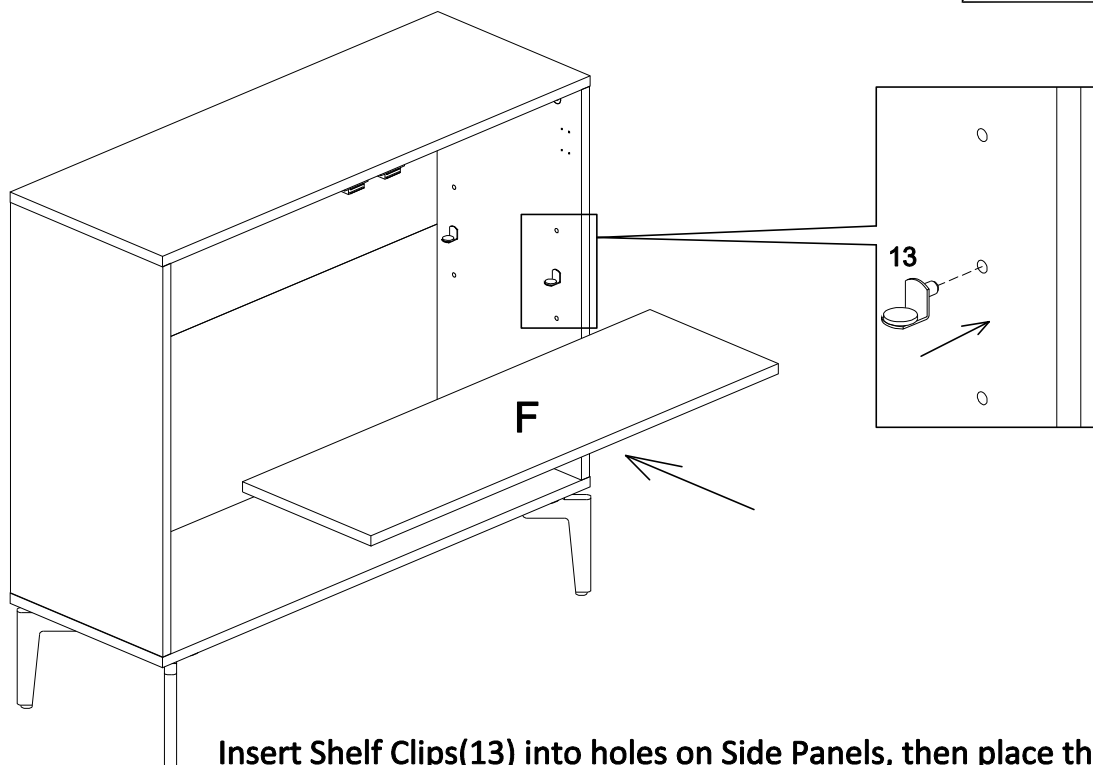
Step 5:




2		8PCS
3		8PCS
4		8PCS
9		10PCS
10		10PCS

Assemble Legs(G) to the bottom of bottom panel(E) using screws(2), Washers(3&4), then tighten the back panel using Back Panel Clips(9) & Screws(10) as shown above.

Step 6:

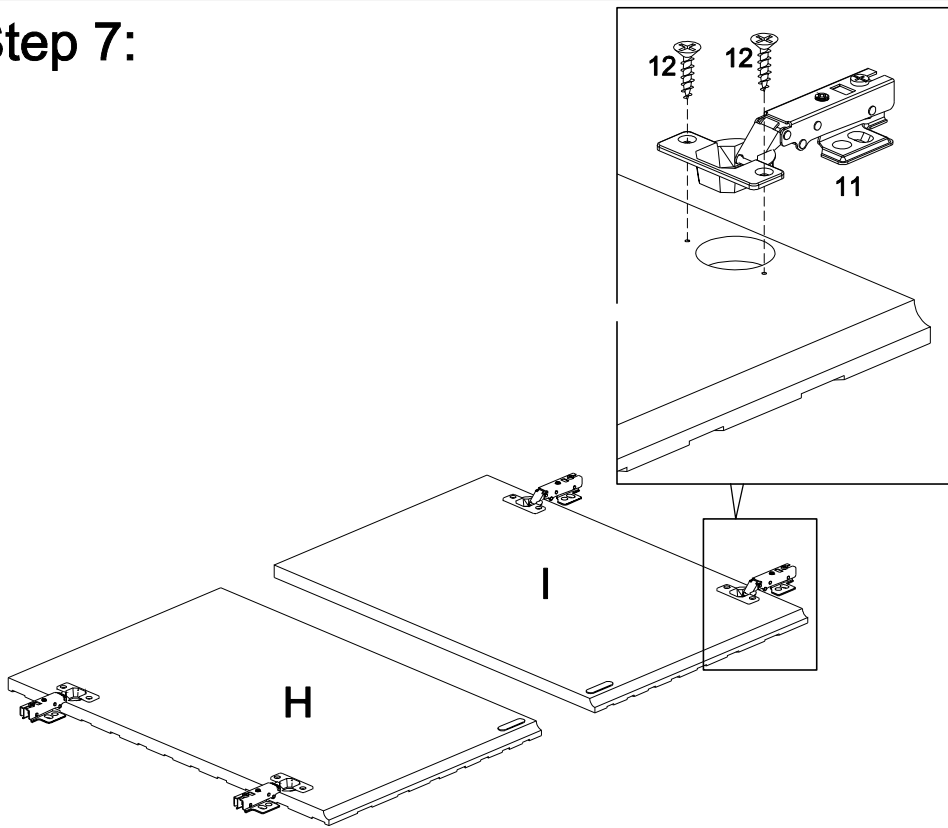


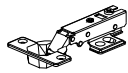

13		4PCS
----	---	------

Insert Shelf Clips(13) into holes on Side Panels, then place the shelf(F) onto shelf Clip as shown above.

Assemble instructions

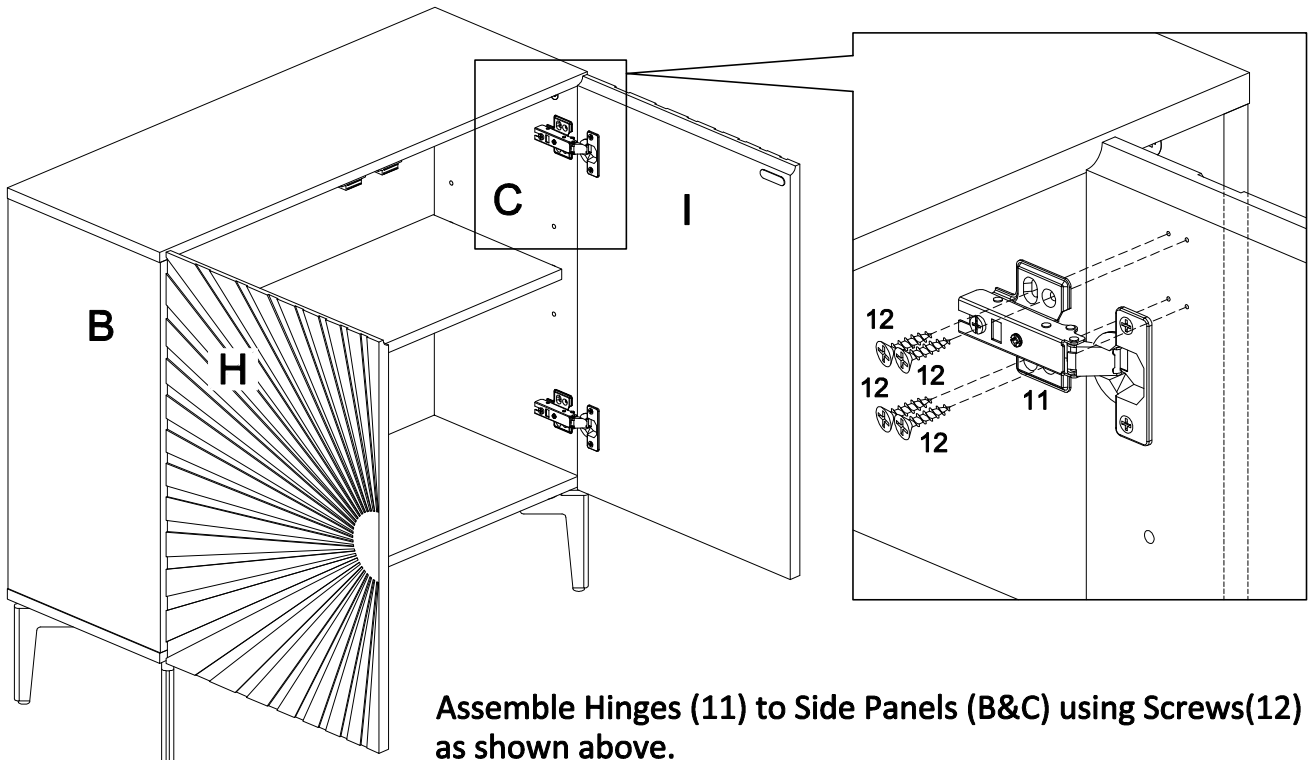
Step 7:



11		4PCS
12		8PCS

Assemble Hinges (11) to Doors (I &H) using Screws(12) as shown above.

Step 8:

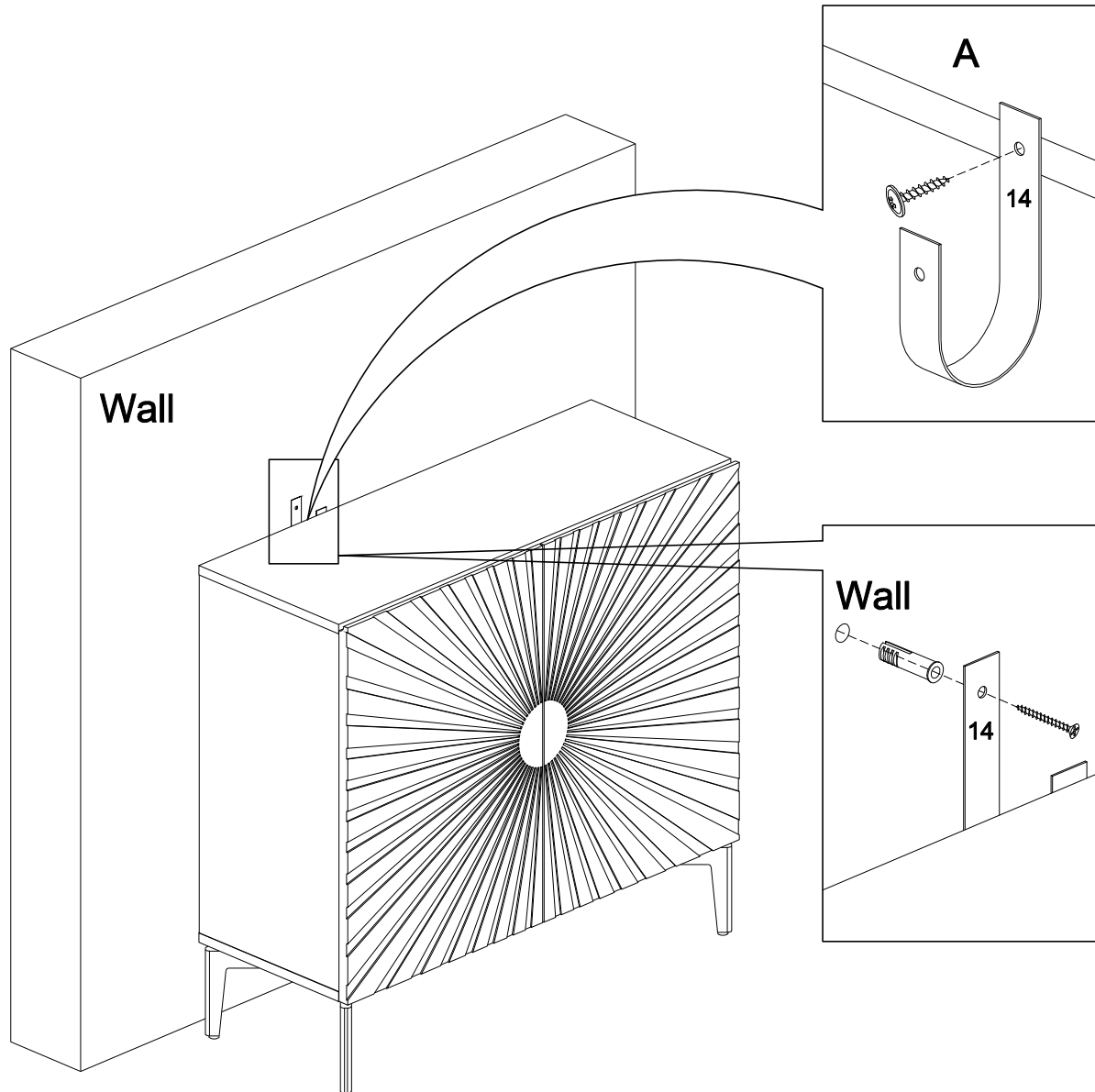
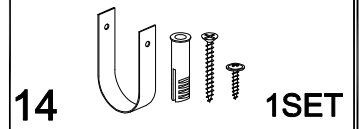


12		16PCS
----	---	-------

Assemble Hinges (11) to Side Panels (B&C) using Screws(12) as shown above.

Assemble instructions

Step 9:



For your safety, please attach this console table to the wall by Anti-Tipping hardware(14) as shown above.