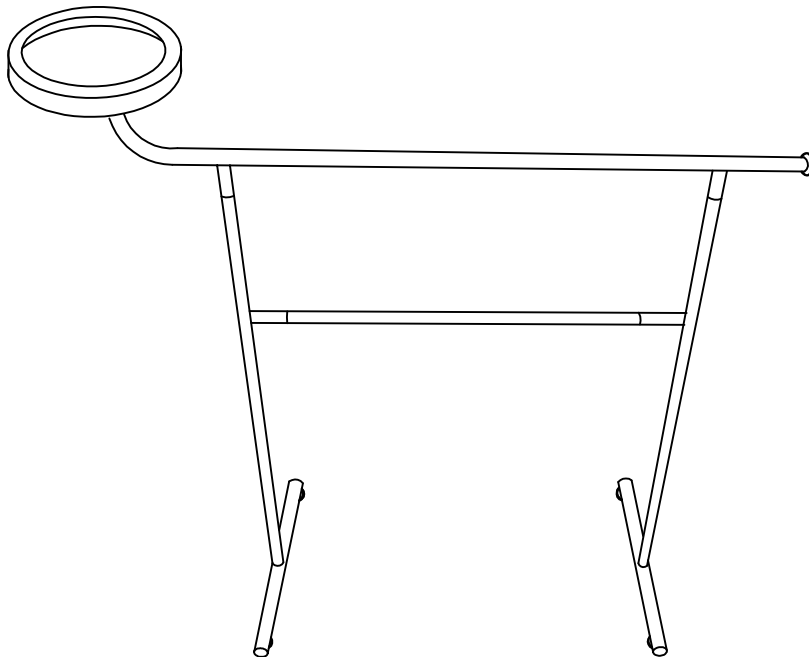


ASSEMBLY INSTRUCTIONS

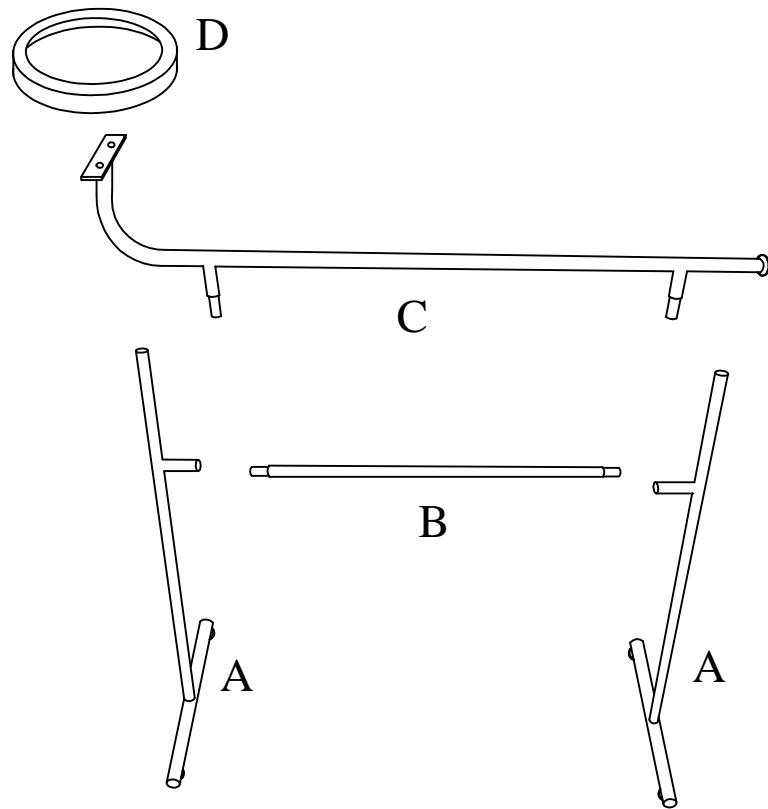
Style #V1512 Valet



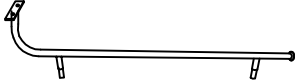



NOTE TO CUSTOMERS:



- For ease and speed of assembly we recommend that before you commence each step of the assembly that you identify all the parts required to complete that step.
- We recommend that where possible you allow sufficient space to assemble the item as close as possible to the place where it will be once assembled.
- For the protection of your furniture we recommend that the product is placed on protected surfaces during assembly to prevent any damage.
- During assembly do not over tighten, as this may damage the product.
- Please ensure you retain all the product packaging until the item completely assembled.
- Please periodically check all fittings and re-tighten as necessary.
- It is recommended that this item should be assembled by two adults.

Part List



A  Leg	2PCS	B  Connect Bar	1PC	C  Connect Bar	1PC	D  Top Tray	1PC
--	-------------	--	------------	---	------------	---	------------

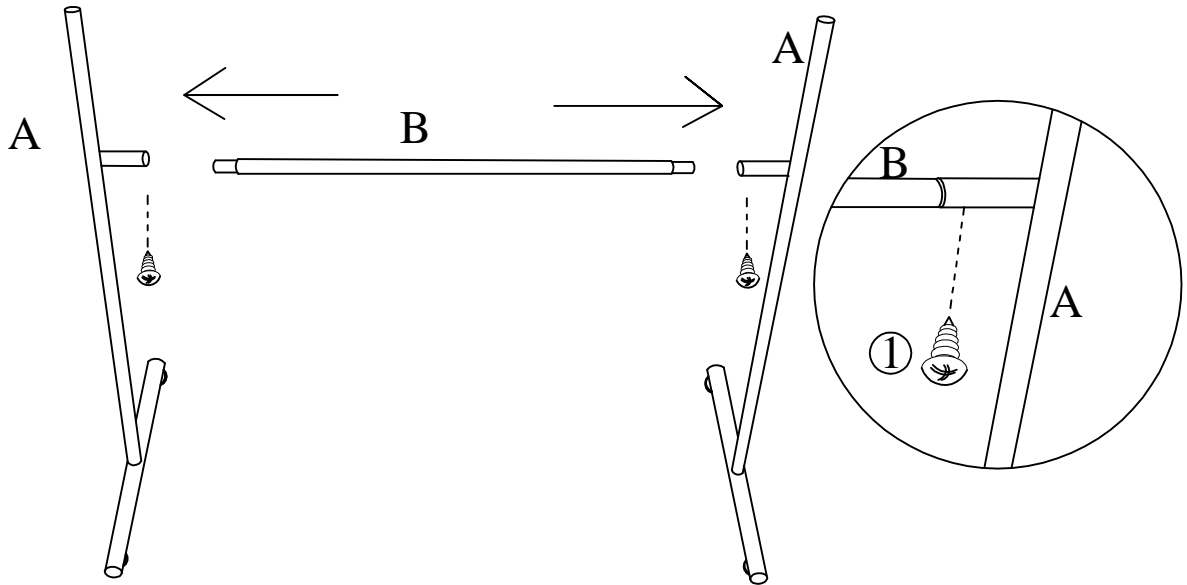
Hardware List

①  Screw	4PCS	②  Bolt M5*0.5"		
--	-------------	--	--	--

Assembly instructions

STEP 1

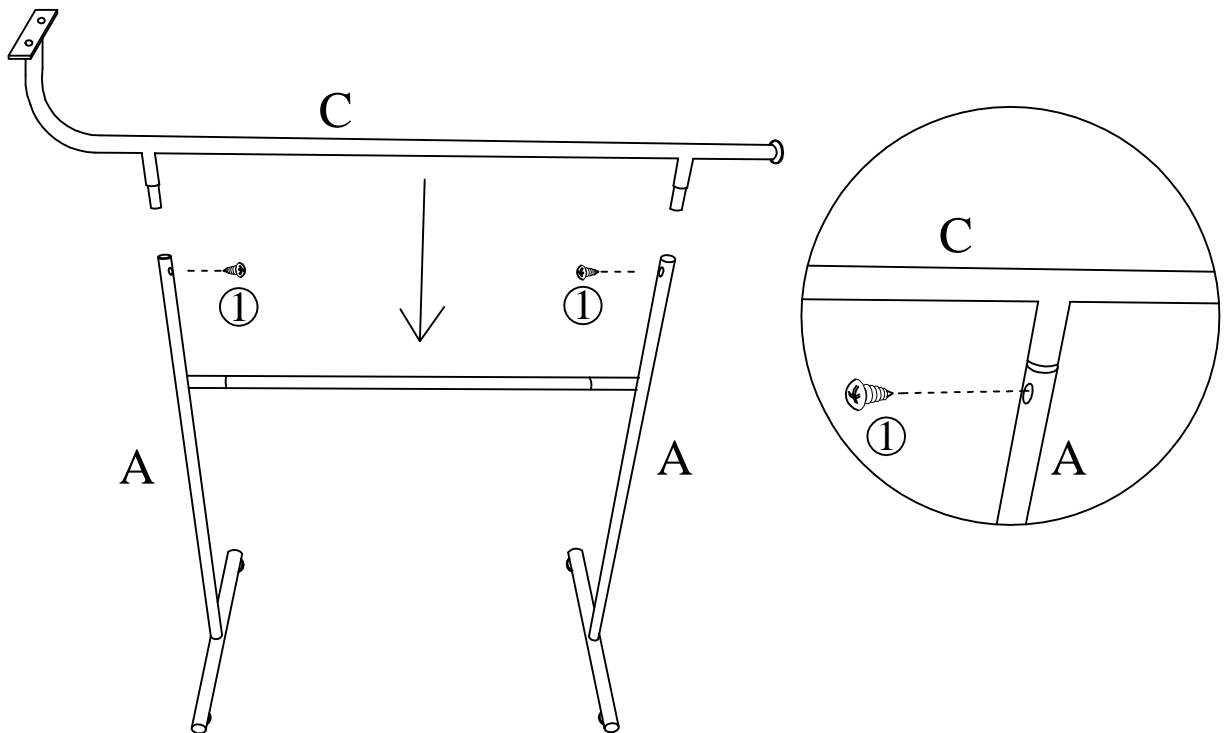
①:  2pcs



Insert Connect Bar (B) into Legs(A) using Screws (1) as shown above.

STEP 2

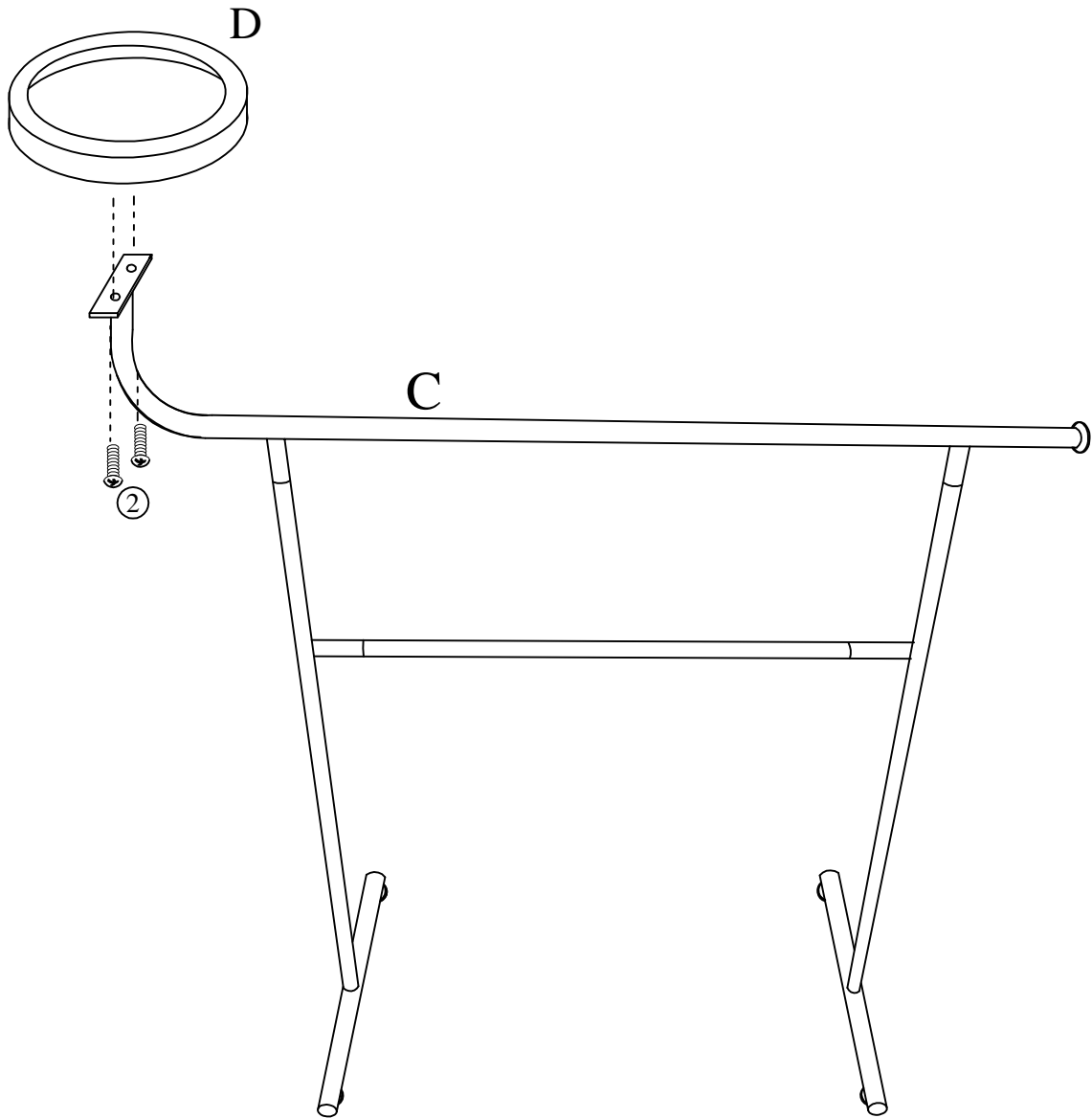
①:  2pcs



Insert Connect Bar (C) into Legs(A) using Screws (1) as shown above.

STEP 3

②:  2pcs



Assemble Top Tray (D) to Connecting Bar (C) using Bolts (2) as shown above.