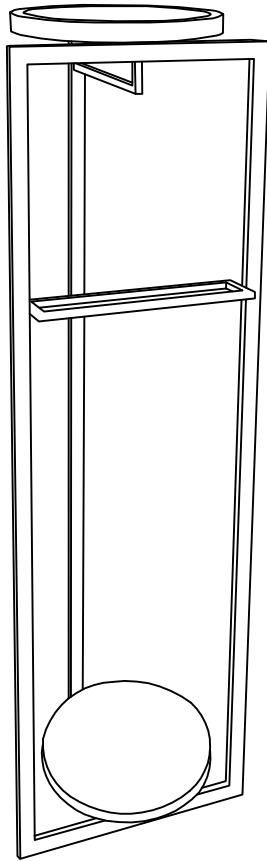


ASSEMBLY INSTRUCTIONS

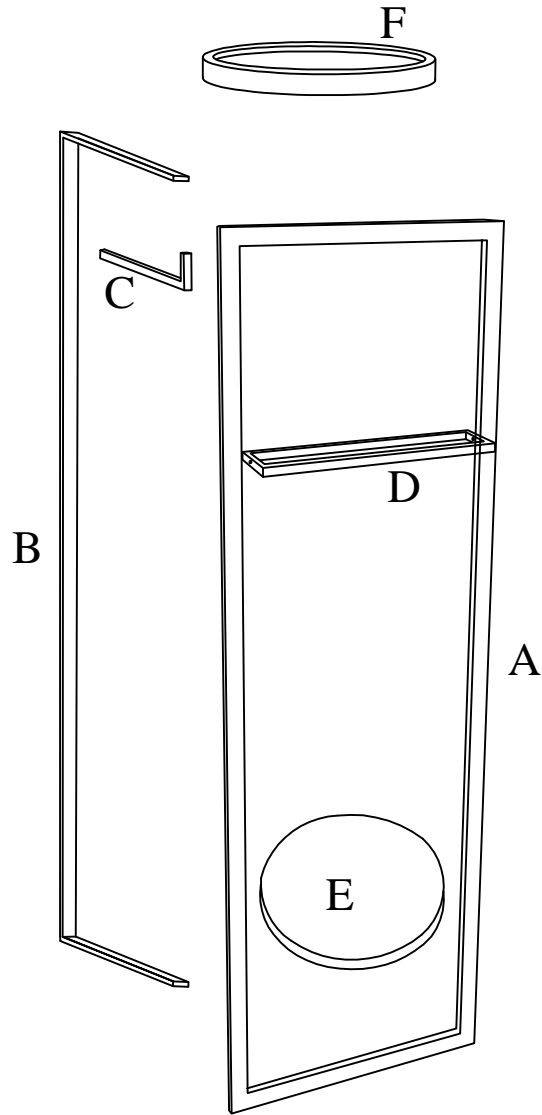
Style #V1511 Valet



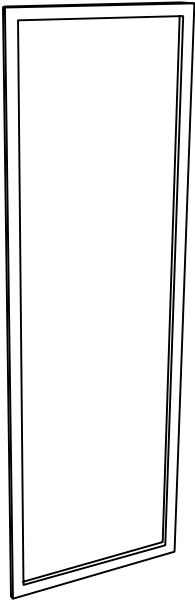
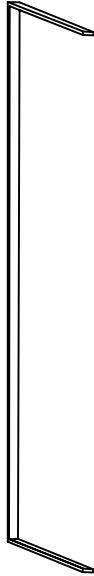
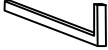



NOTE TO CUSTOMERS:

- For ease and speed of assembly we recommend that before you commence each step of the assembly that you identify all the parts required to complete that step.
- We recommend that where possible you allow sufficient space to assemble the item as close as possible to the place where it will be once assembled.
- For the protection of your furniture we recommend that the product is placed on protected surfaces during assembly to prevent any damage.
- During assembly do not over tighten, as this may damage the product.
- Please ensure you retain all the product packaging until the item completely assembled.
- Please periodically check all fittings and re-tighten as necessary.
- It is recommended that this item should be assembled by two adults.

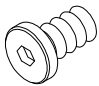
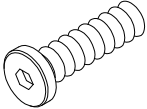
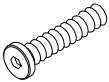
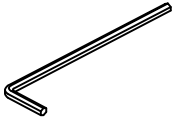
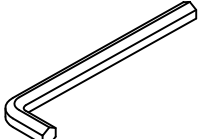
Part List



Part List

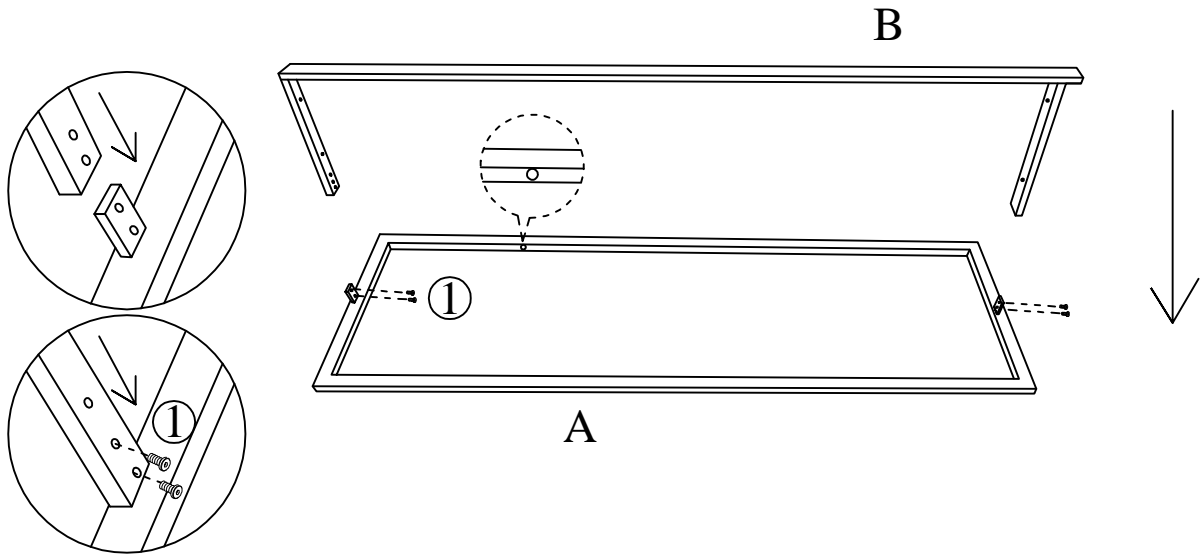
A		1PC	B		1PC		
Front Frame			Rear Frame				
C	1PC	D	1PC	E	1PC	F	1PC
							
Coat Hook		Hook		Bottom Panel		Top Tray	

Hardware List

①	4PCS	②	6PCS	③	2PCS
					
Bolt	M6*0.375"	Bolt	M6*1"	Bolt	M5*1"
④	1PC	⑤	1PC		
					
3MM Allen Wrench		4MM Allen Wrench			

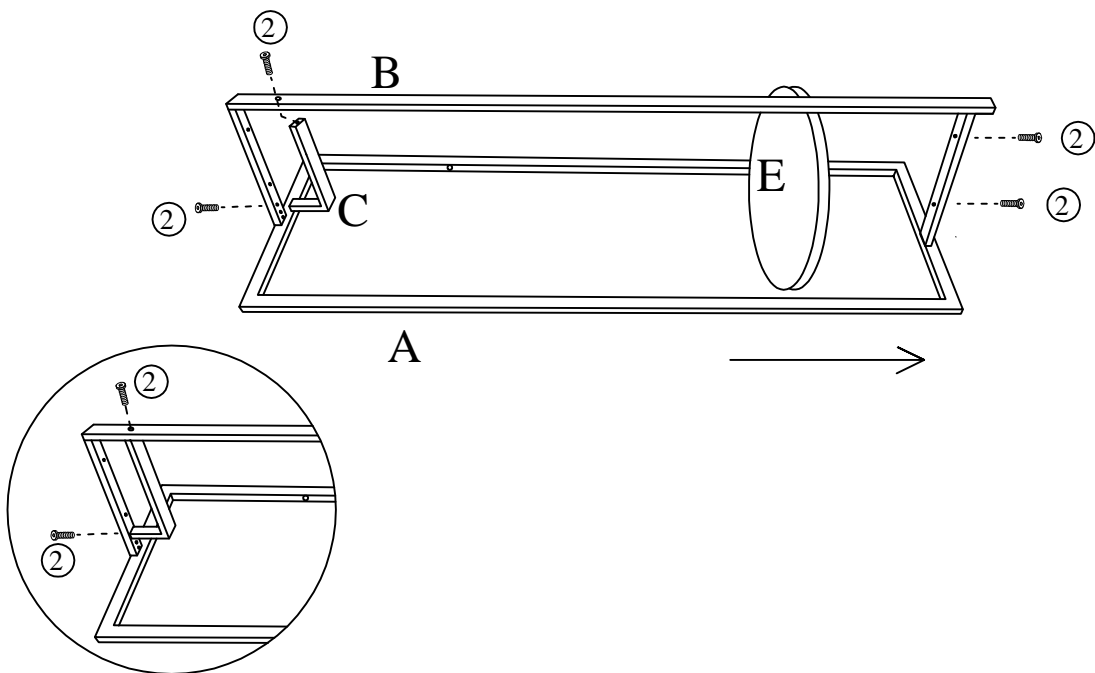
Assembly instructions

STEP 1







Assemble Rear Frame (B) to Front Frame (A) using Bolts (1) as shown above. Please do not tighten bolts until the last step.

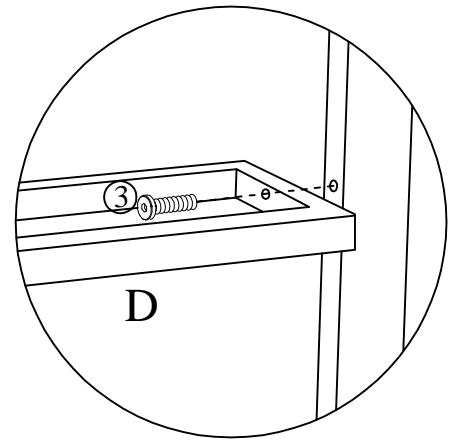
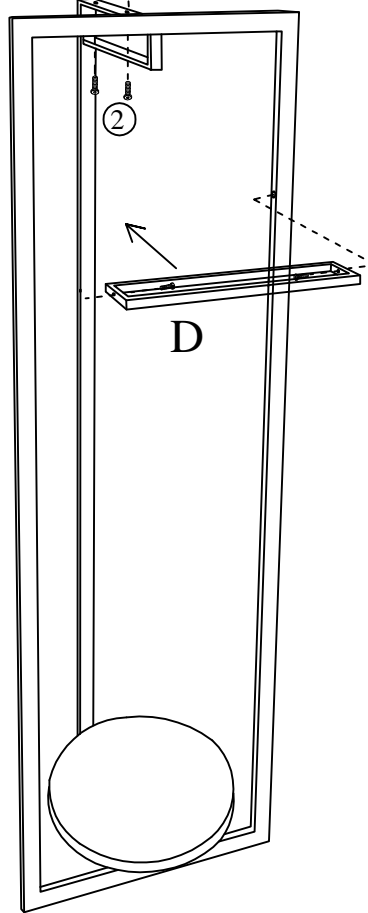
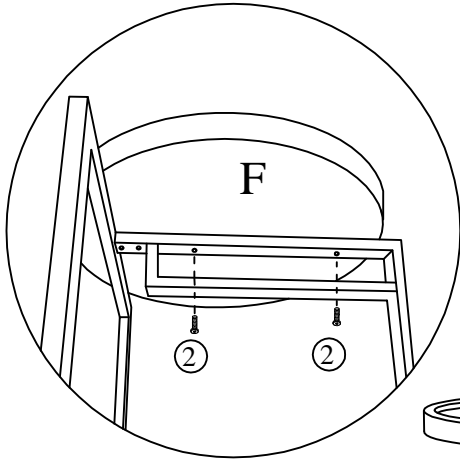
STEP 2



Assemble Coat Hook (C) to Rear Frame (B) using Bolts (2) as shown above. Then attach Bottom Panel (E) to Rear Frame (B) using Bolts (2).

STEP 3

- ②:  2pcs
- ③:  2pcs
- ④:  1pc
- ⑤:  1pc



Assemble Hook (D) to Front Frame (A) using Bolts (3) as shown above. Then attach Top Tray (F) to Rear Frame (B) using Bolts (2). Please tighten all bolts at this point.