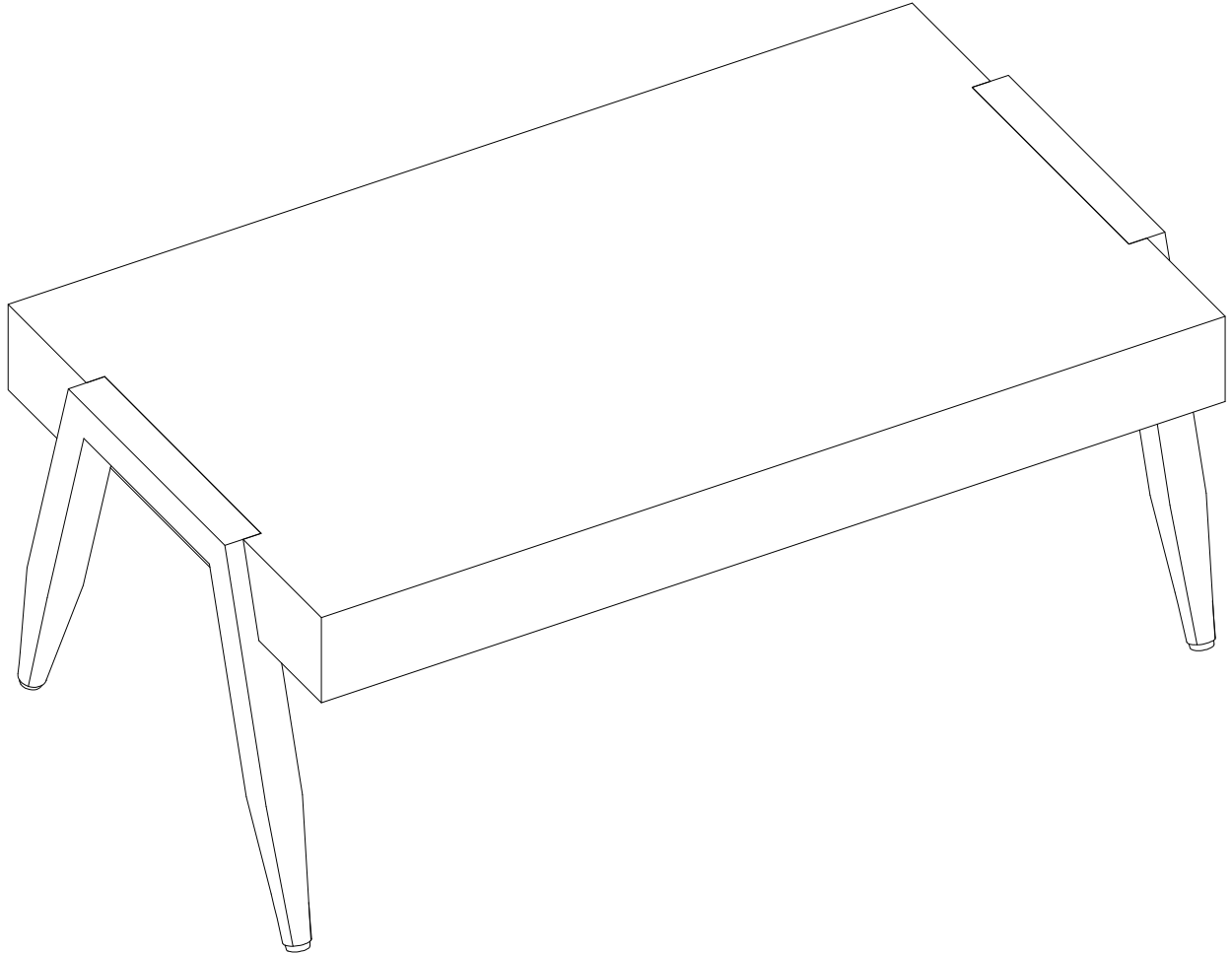


Assembly Instructions

Style#T3011-C Coffee Table



NOTE TO CUSTOMERS:

- For ease and speed of assembly we recommend that before you commence each step of the assembly that you identify all the parts required to complete that step.
- We recommend that where possible you allow sufficient space to assemble the item as close as possible to the place where it will be once assembled.
- For the protection of your furniture we recommend that the product is placed on protected surfaces during assembly to prevent any damage.
- During assembly do not over tighten, as this may damage the product.
- Please ensure you retain all the product packaging until the item completely assembled.
- Please periodically check all fittings and re-tighten as necessary.
- Never allow any liquids to remain on your furniture as absorption can cause the surface to warp or the finish to de-laminate
- It is recommended that this item should be assembled by two adults.

Part list:

1 x 1pc

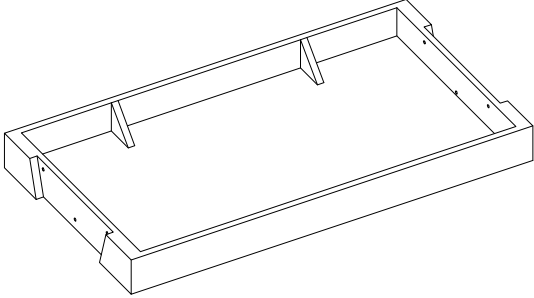
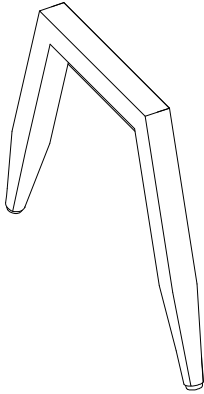


Table Top

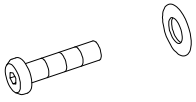
2 x 2pcs



Leg


Hardware list:

A x 6sets



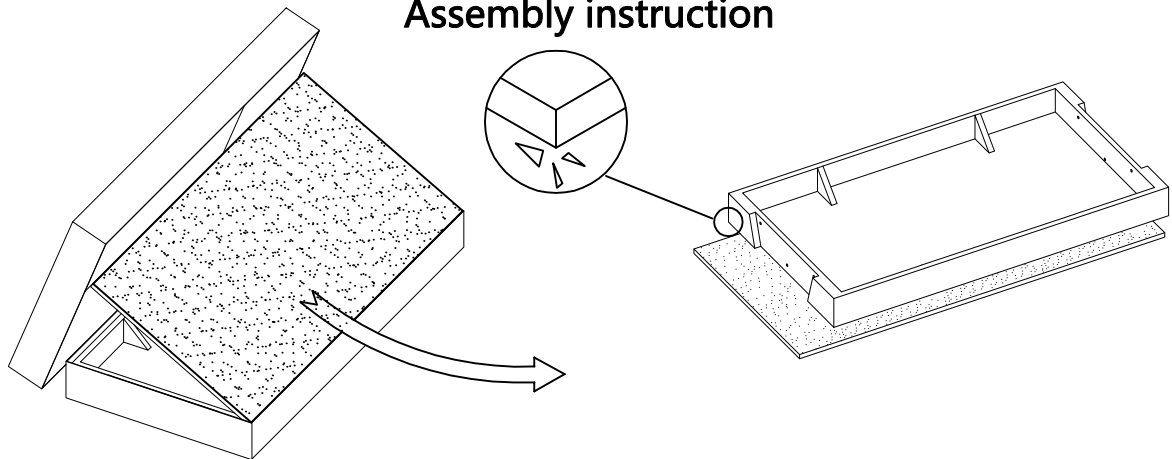
Bolt with washer

B x 1pc

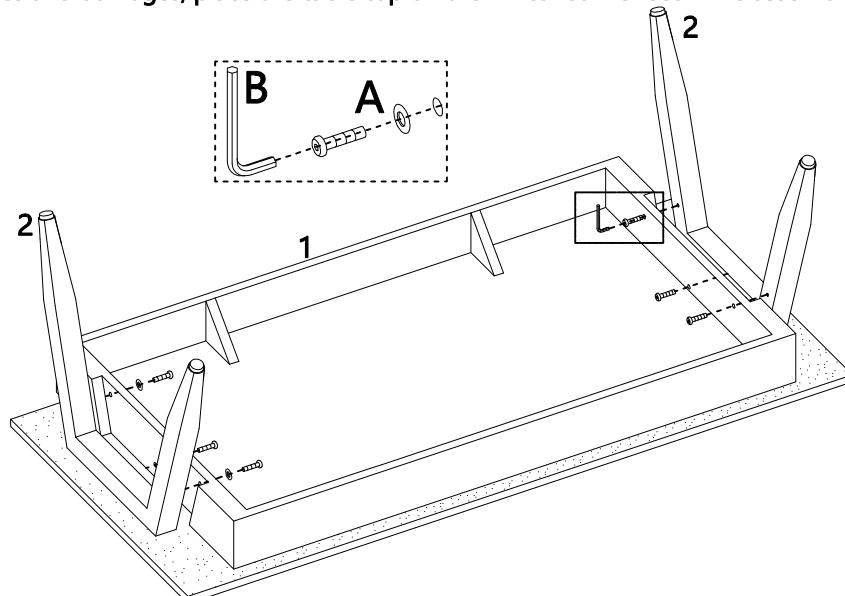


Allen Wrench

Assembly instruction



To avoid scratches and damages, place the table top on the white foam sheet while assembling.



Please do not tighten Bolts(A) until all of them are attached.