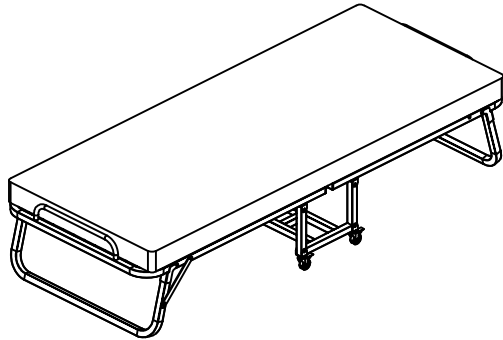


# ASSEMBLY INSTRUCTIONS

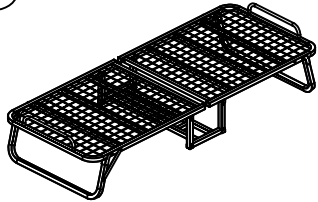
Style# FB-79 39" Folding bed with mattress



**Warning:**

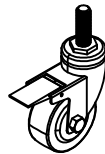
- For your safety do not jump on the bed.
- The use of water or sleep flotation mattress on the bed is not recommended.
- The weight load on this bed should never exceed 350lbs. Exceeding this weight limit may cause the bed to collapse, resulting in serious personal injury and property damage.

①



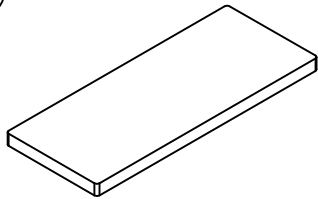
x 1

②



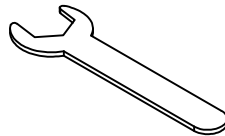
x 4

③

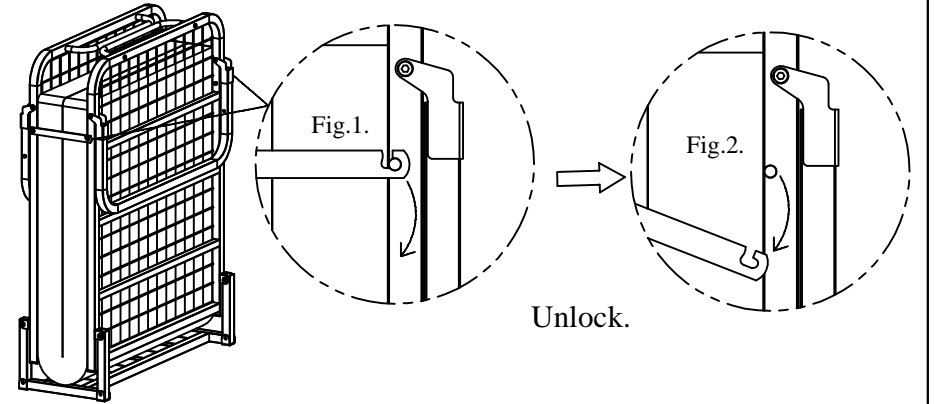


x 1

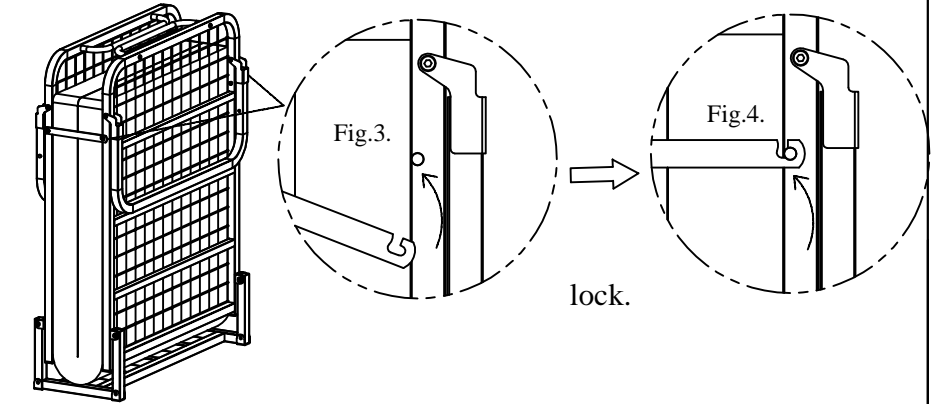
A



x 1

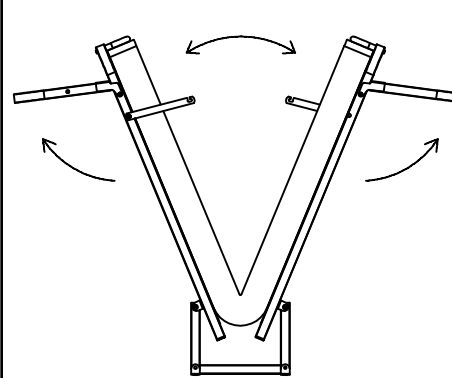


Unlock.

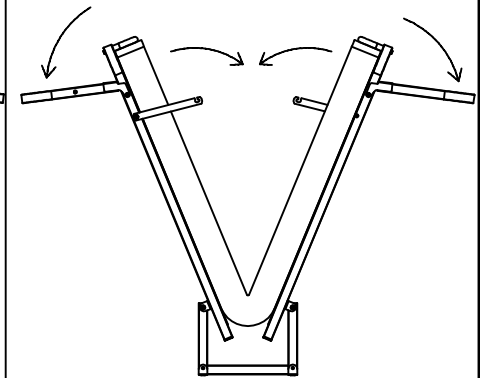


lock.

Please follow Fig.1. & .2. & .3. & .4. to lock and unlock the bed frame.

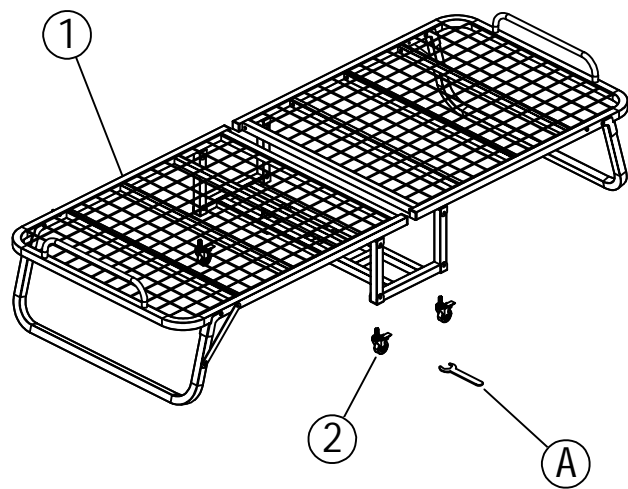


Open the frame.

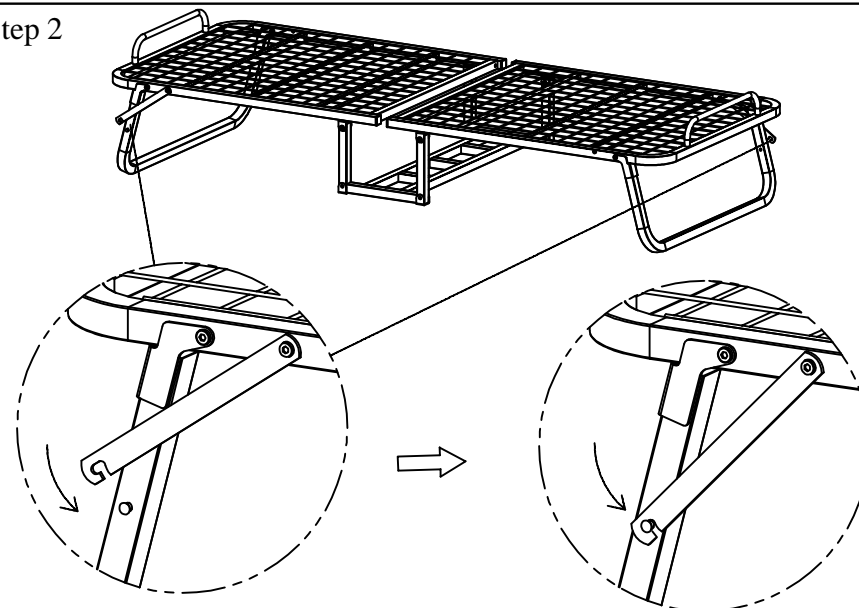


Fold the frame.

Step 1

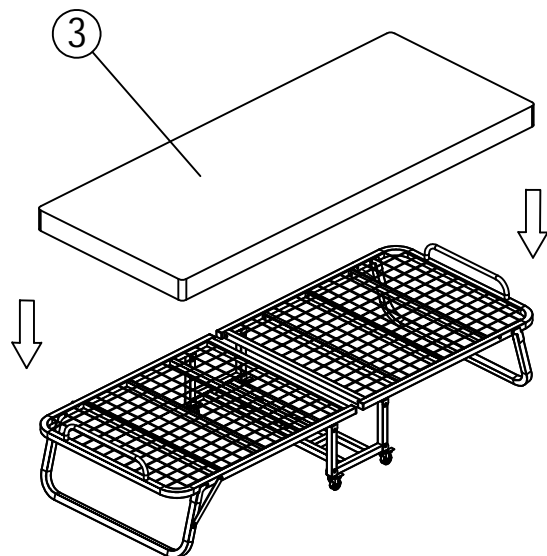


Step 2

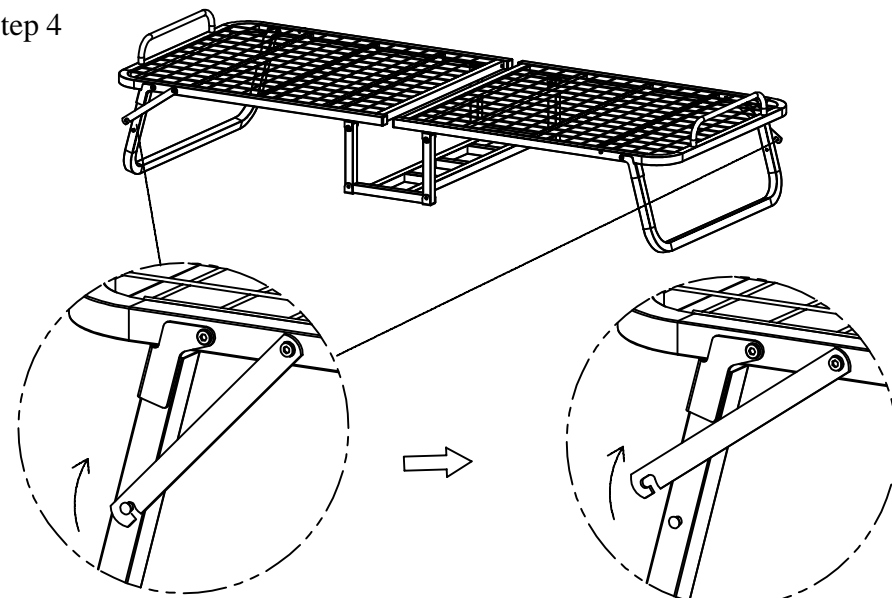


Lock the legs as shown above before using the bed frame.

Step 3



Step 4



Unlock the legs as shown above before folding the bed .