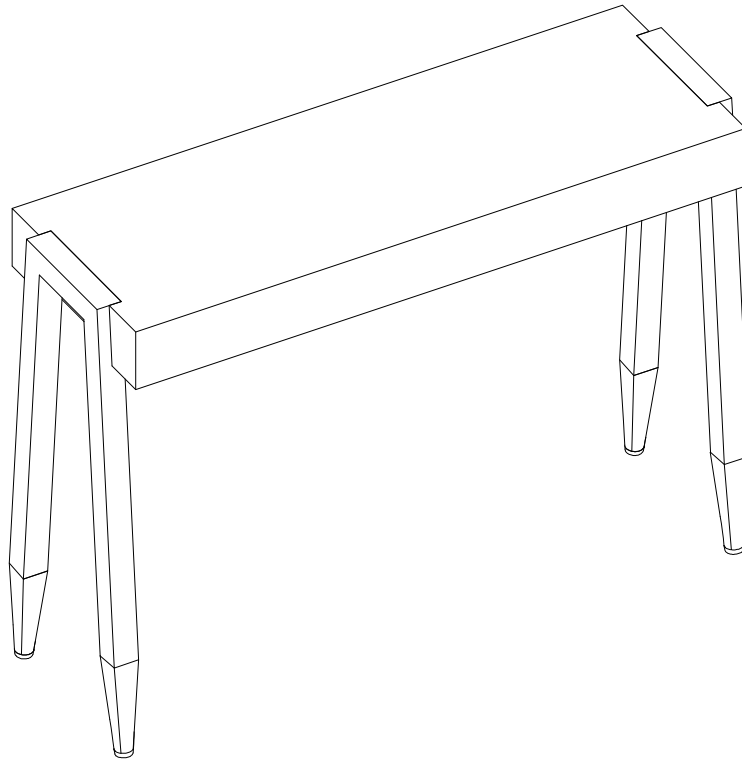


Assembly Instructions

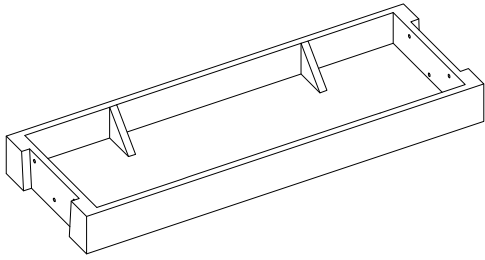
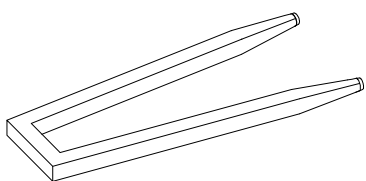
Style#C3011 Console Table



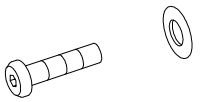

NOTE TO CUSTOMERS:

- For ease and speed of assembly we recommend that before you commence each step of the assembly that you identify all the parts required to complete that step.
- We recommend that where possible you allow sufficient space to assemble the item as close as possible to the place where it will be once assembled.
- For the protection of your furniture we recommend that the product is placed on protected surfaces during assembly to prevent any damage.
- During assembly do not over tighten, as this may damage the product.
- Please ensure you retain all the product packaging until the item completely assembled.
- Please periodically check all fittings and re-tighten as necessary.
- Never allow any liquids to remain on your furniture as absorption can cause the surface to warp or the finish to de-laminate
- It is recommended that this item should be assembled by two adults.

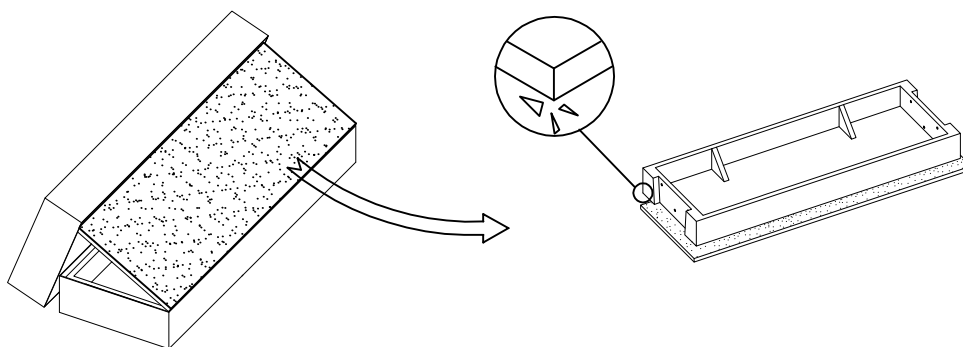
Part list:

<p>1 x 1pc</p>  <p>Table Top</p>	<p>2 x 2pcs</p>  <p>Leg</p>
---	---

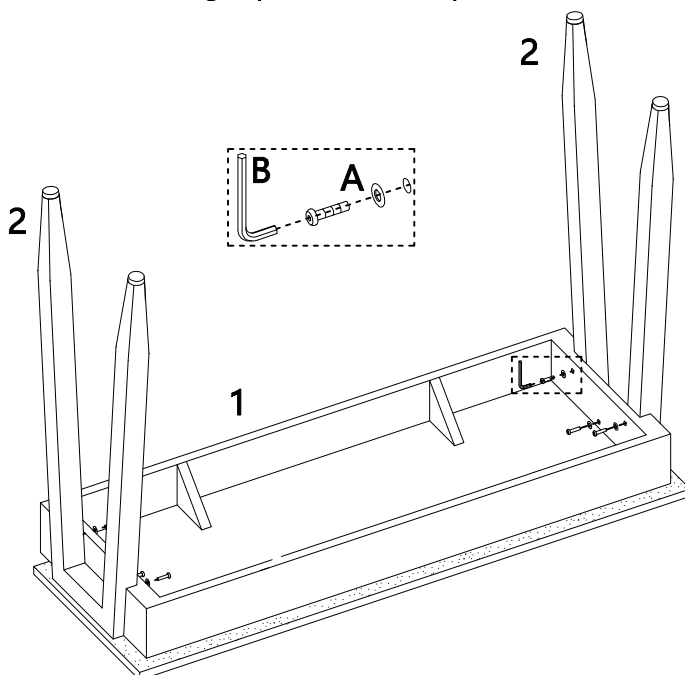
Hardware list:

<p>A x 6sets</p>  <p>Bolt with washer</p>	<p>B x 1pc</p>  <p>Allen Wrench</p>
--	--

Assembly instruction



To avoid scratches and damages, place the table top on the white foam sheet while assembling.



Please do not tighten Bolts(A) until all of them are attached.
Page 2 of 2