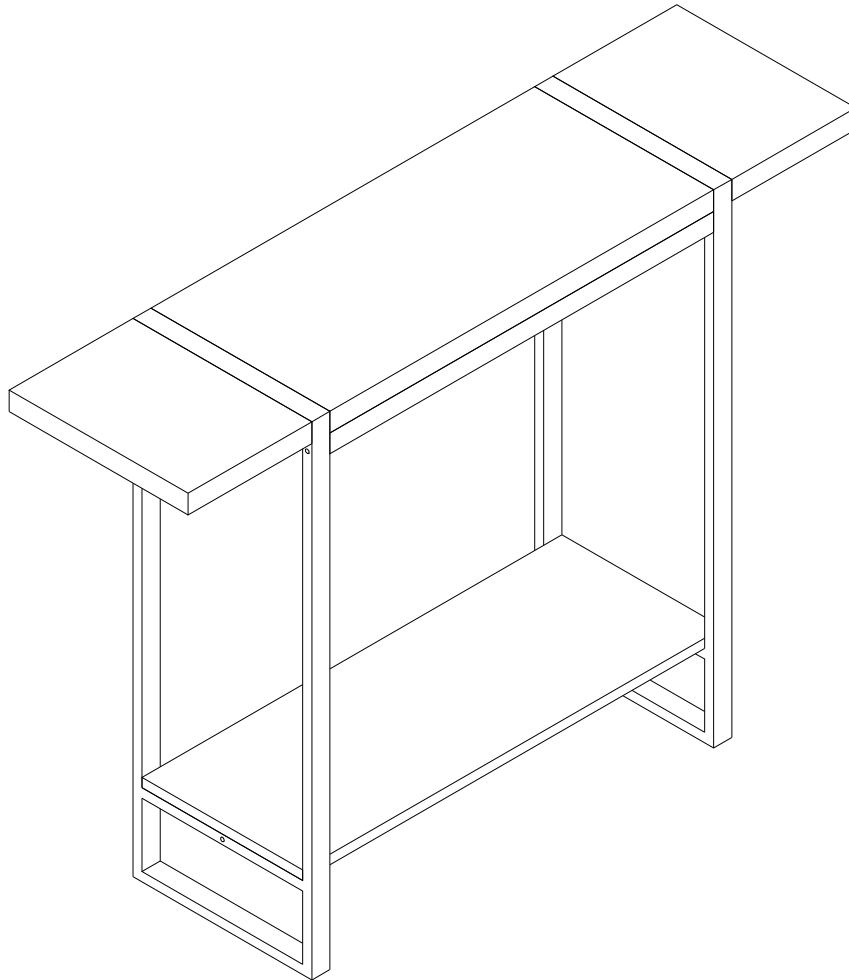


ASSEMBLY INSTRUCTIONS

Style # C1163 Console Table

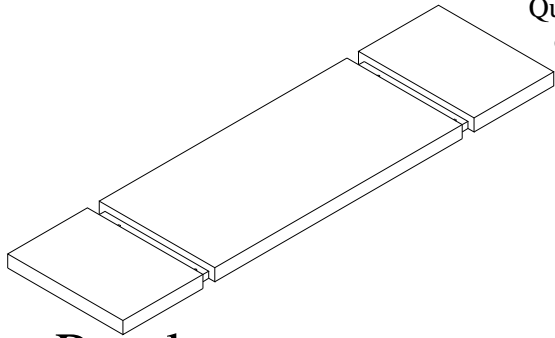


NOTE TO CUSTOMERS:

- For ease and speed of assembly we recommend that before you commence each step of the assembly that you identify all the parts required to complete that step.
- We recommend that where possible you allow sufficient space to assemble the item as close as possible to the place where it will be once assembled.
- For the protection of your furniture we recommend that the product is placed on protected surfaces during assembly to prevent any damage.
- During assembly do not over tighten, as this may damage the product.
- Please ensure you retain all the product packaging until the item completely assembled.
- Please periodically check all fittings and re-tighten as necessary.
- It is recommended that this item should be assembled by two adults.

Parts List

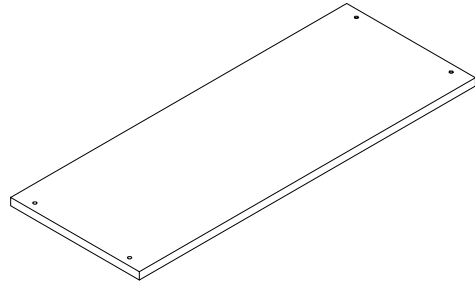
1



Quantity
of 1

Top Panel

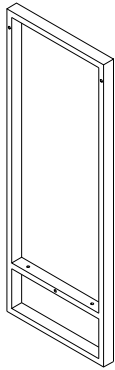
2



Quantity
of 1

Shelf

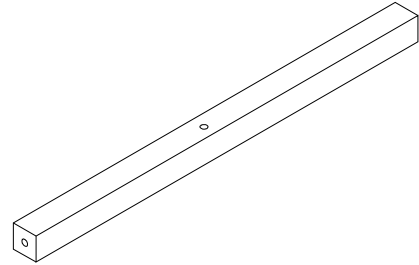
3



Quantity
of 2

Side Frame

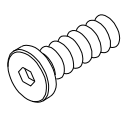
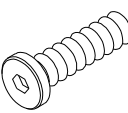

4



Quantity
of 3

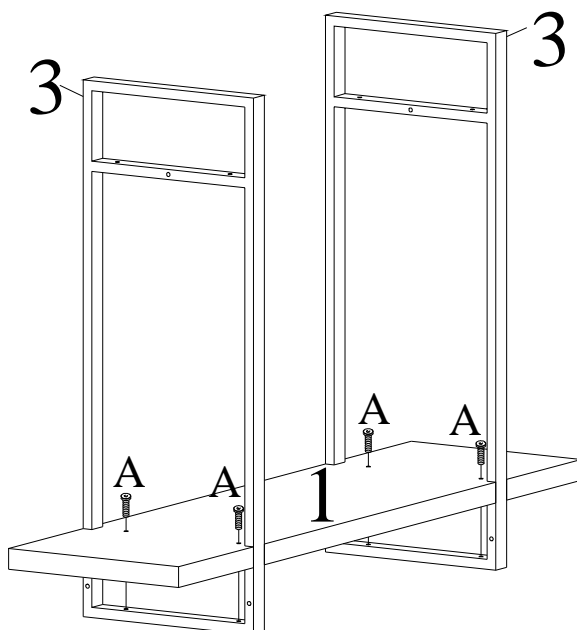
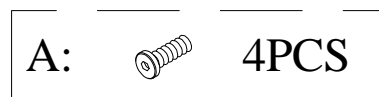
Connect Bar

Hardware List

<p>A</p> <p>Quantity of 11</p>  <p>Dia 1/4" x 1"</p> <p>Bolt</p>	<p>B</p> <p>Quantity of 6</p>  <p>Dia 1/4" x 1.5"</p> <p>Bolt</p>	<p>C</p> <p>Quantity of 1</p>  <p>Allen Wrench</p>
--	---	---

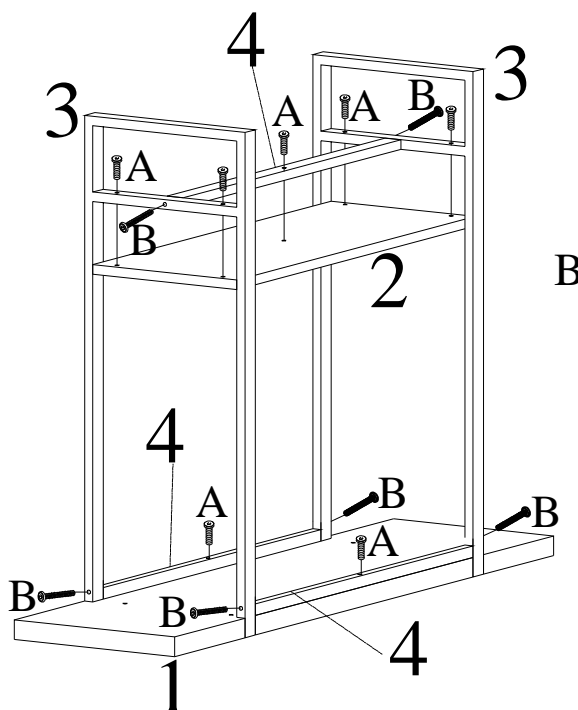
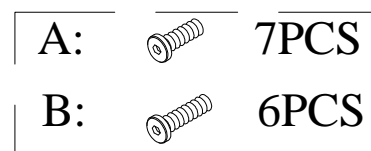
Assembly instruction

Step 1:



Assemble Top Panel (1) to Side Frames (3) using Bolts (A) as shown above.

Step 2:



Assemble Connect Bars (4) to Side Frames (3) using Bolts (B) as shown above, then assemble shelf to Side Frames (3) using Bolts (A) as shown above.