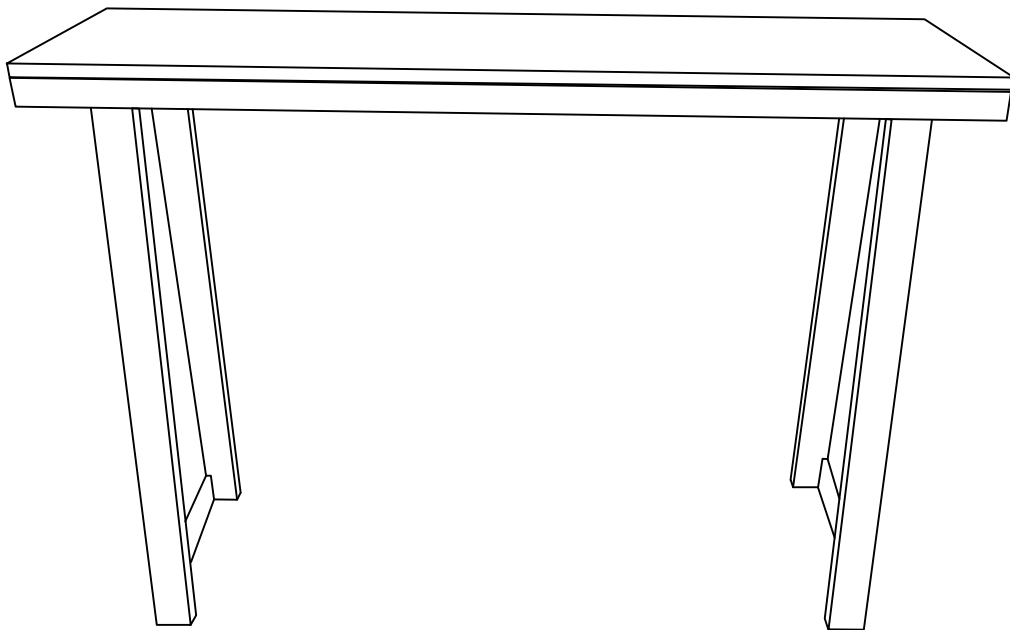


ASSEMBLY INSTRUCTIONS

Style # C1103 & C1104 Console Table



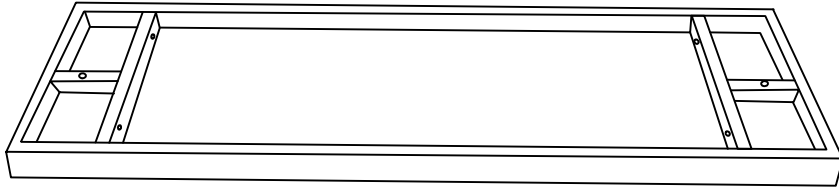
NOTE TO CUSTOMERS:

- For ease and speed of assembly we recommend that before you commence each step of the assembly that you identify all the parts required to complete that step.
- We recommend that where possible you allow sufficient space to assemble the item as close as possible to the place where it will be once assembled.
- For the protection of your furniture we recommend that the product is placed on protected surfaces during assembly to prevent any damage.
- During assembly do not over tighten ,as this may damage the product.
- Please ensure you retain all the product packaging until the item completely assembled.
- Please periodically check all fittings and re-tighten as necessary.
- Never allow any liquids to remain on your furniture as absorption can cause the wood to warp or the finish to de-laminate.
- It is recommended that this item should be assembled by two adults.

Part List

A1

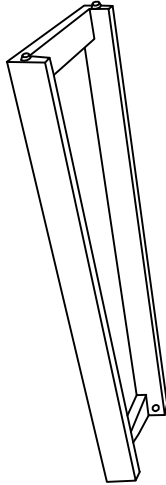
Quantity
of 1



Top Panel

A2

Quantity
of 2

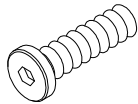


Leg

Hardware List

B1

Quantity
of 6



Bolt

B2

Quantity
of 4



Nut

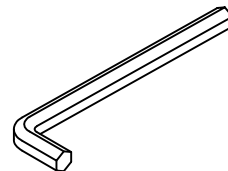
B3

Quantity
of 6



Washer

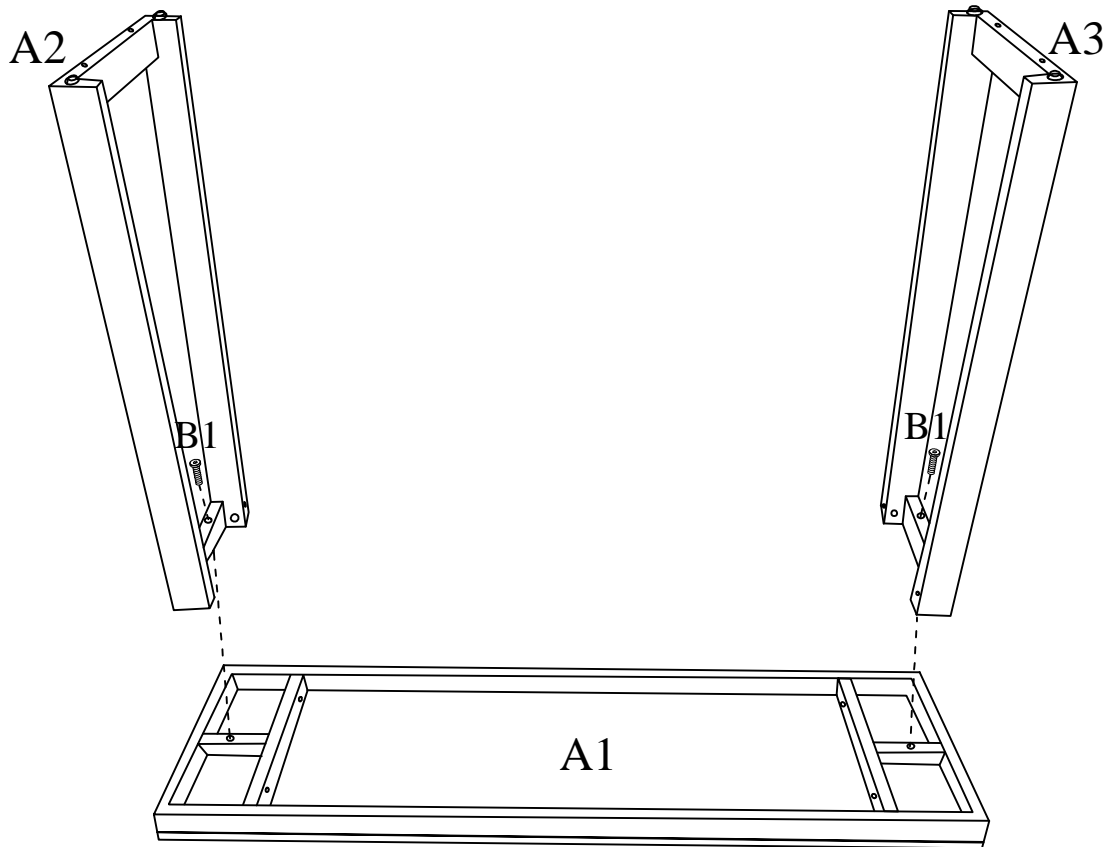
Quantity
of 1






Allen Wrench

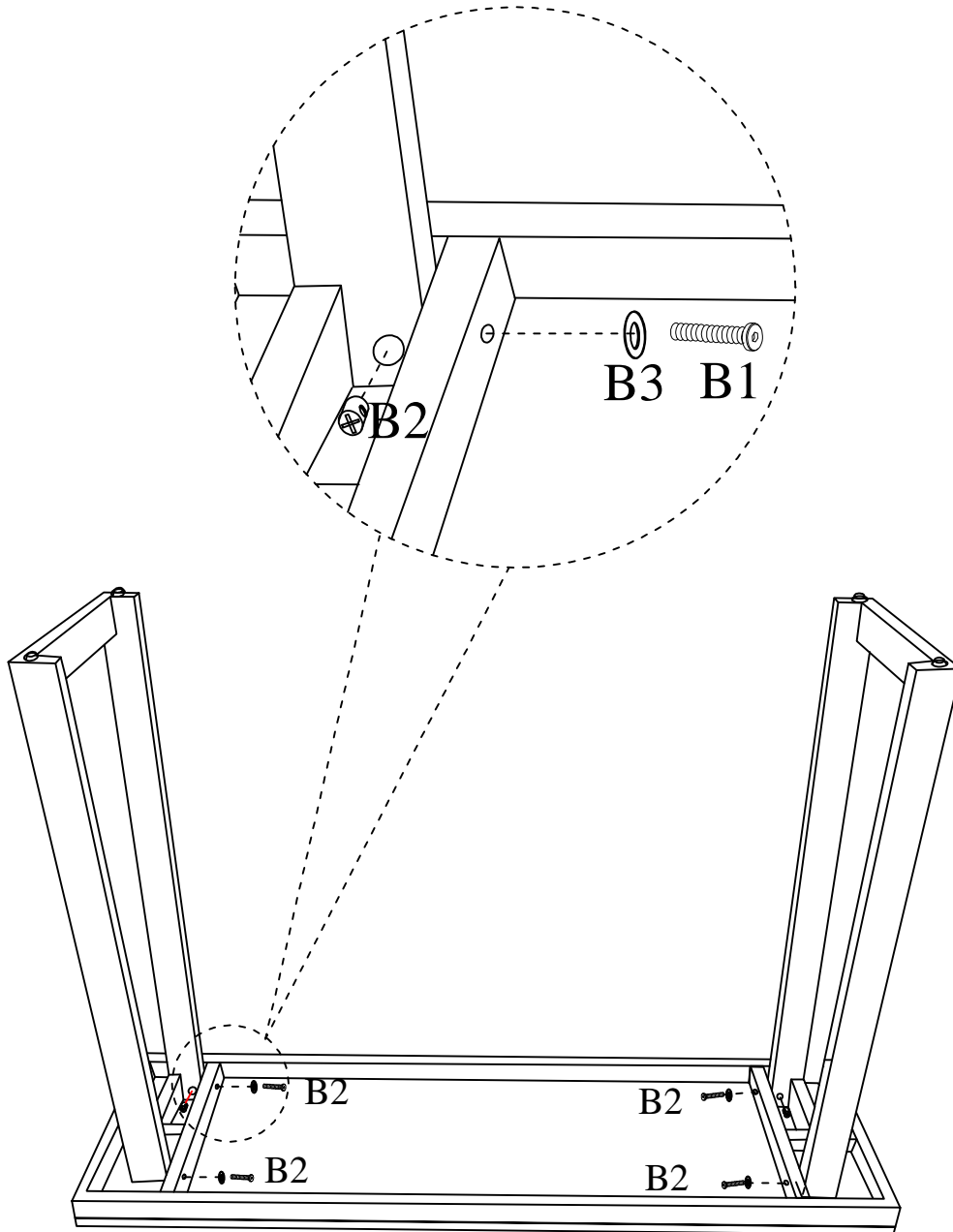
Assembly instructions

B1 :  2pcs



Do not fully tighten Bolts until Step 2 .

- | | | |
|------|---|------|
| B1 : |  | 4pcs |
| B2 : |  | 4pcs |
| B3 : |  | 6pcs |



Do not fully tighten Bolts until all of the bolts are attached.