

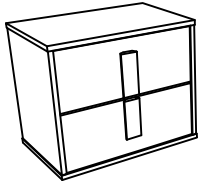


ASSEMBLY INSTRUCTIONS

**MODEL : 0407A
NIGHT STAND**

STEP 1 : Pull the bottom drawer and take out the KD leg carton (B & C). Assemble the KD leg (B & C) with CSK Screw(1) and securing with screw driver as shown.

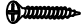
(BOX 1)

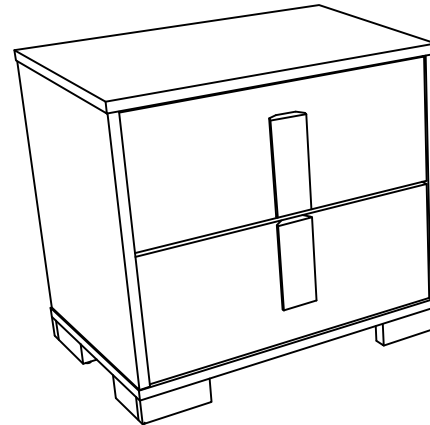
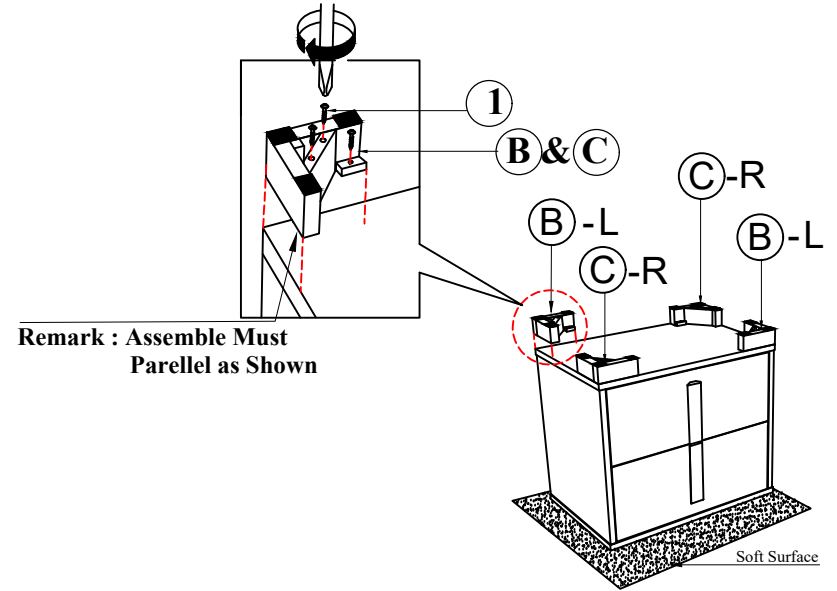
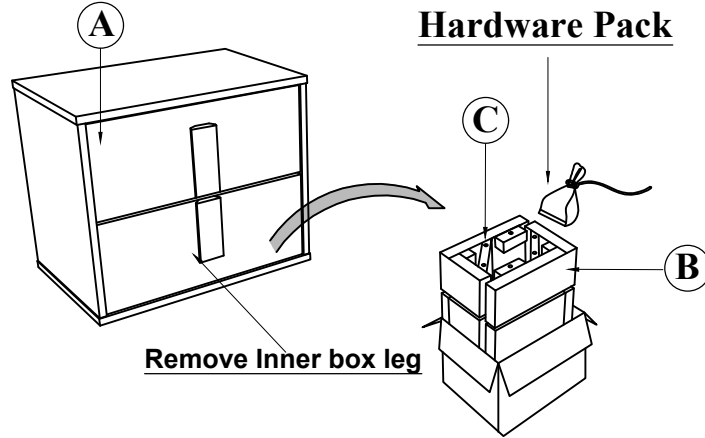
BOX OF NIGHT STAND

| NO | ITEM | QTY |
|----|---|-------|
| | NIGHT STAND | |
| A |  | 1 pc |
| B | KD LEG LEFT  | 2 pcs |
| C | KD LEG RIGHT  | 2 pcs |

(BOX 1)

HARDWARE LIST

| NO | ITEM | QTY |
|----|---|--------|
| | Csk m4 x 28mm Rbw | |
| 1 |  | 12 pcs |



COMPLETED ASSEMBLY

NOTE : MUST TIGHTEN SCREWS **PERIODICALLY** WITH USE SCREW WILL BECOME LOOSE CHECK TIGHTNESS OF ALL SCREW EVERY 6-8 WEEKS.