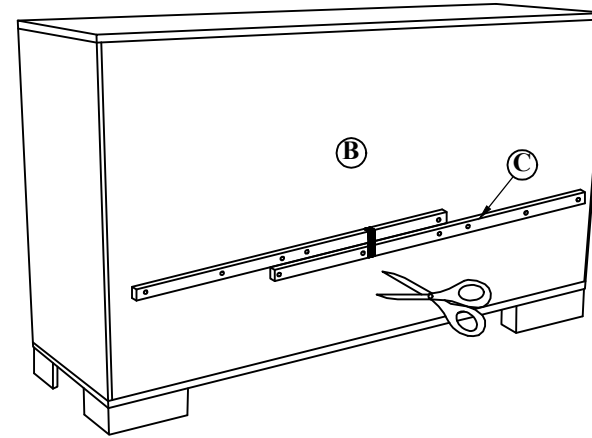


ASSEMBLY INSTRUCTION

**MODEL : 0407A
DRESSER & MIRROR**

STEP 1 :
Cut the rope and rotate the Back Mirror Support (C) upward before tightening the screw.



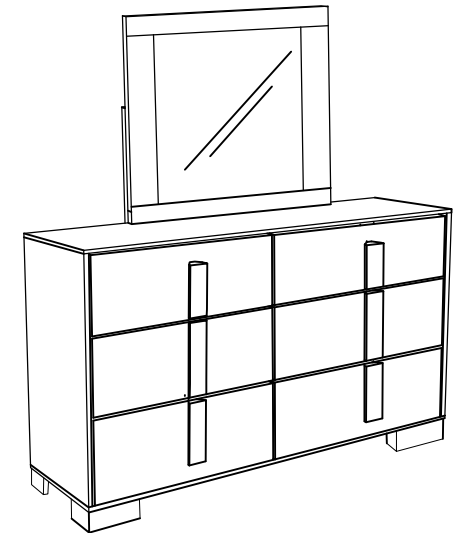
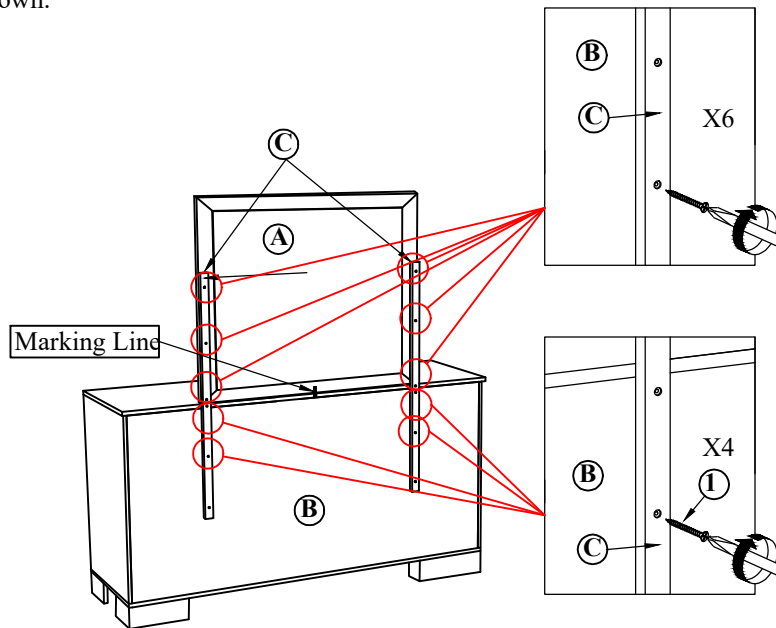
(Box 1)
BOX OF MIRROR

NO	ITEM	Qty
	MIRROR	
A		1 PC

(Box. 2)
BOX OF DRESSER

NO	ITEM	Qty
	DRESSER	
B		1 PC
	MIRRO BACK SUPPORT	
C		2PCS

STEP 2 :
Put the mirror (A) on top of Dresser (B) and align to center position by following the marking line provided as shown.



**COMPLETED
ASSEMBLY**

(Box. 1)
HARDWARE LIST

NO	ITEM	Qty
	Csk M4 x 32mm Rbw	
1		10 PCS

NOTE : MUST TIGHTEN SCREWS PERIODCALLY WITH USE SCREW WILL BECOME LOOSE CHECK TIGHTNESS OF ALL SCREW EVERY 6-8 WEEKS.