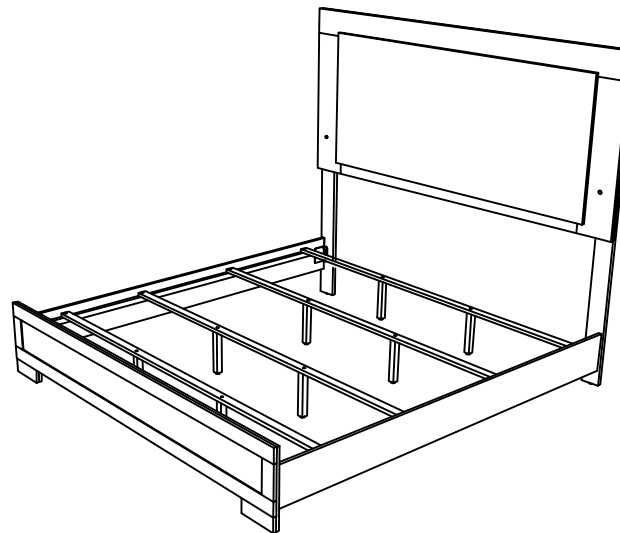
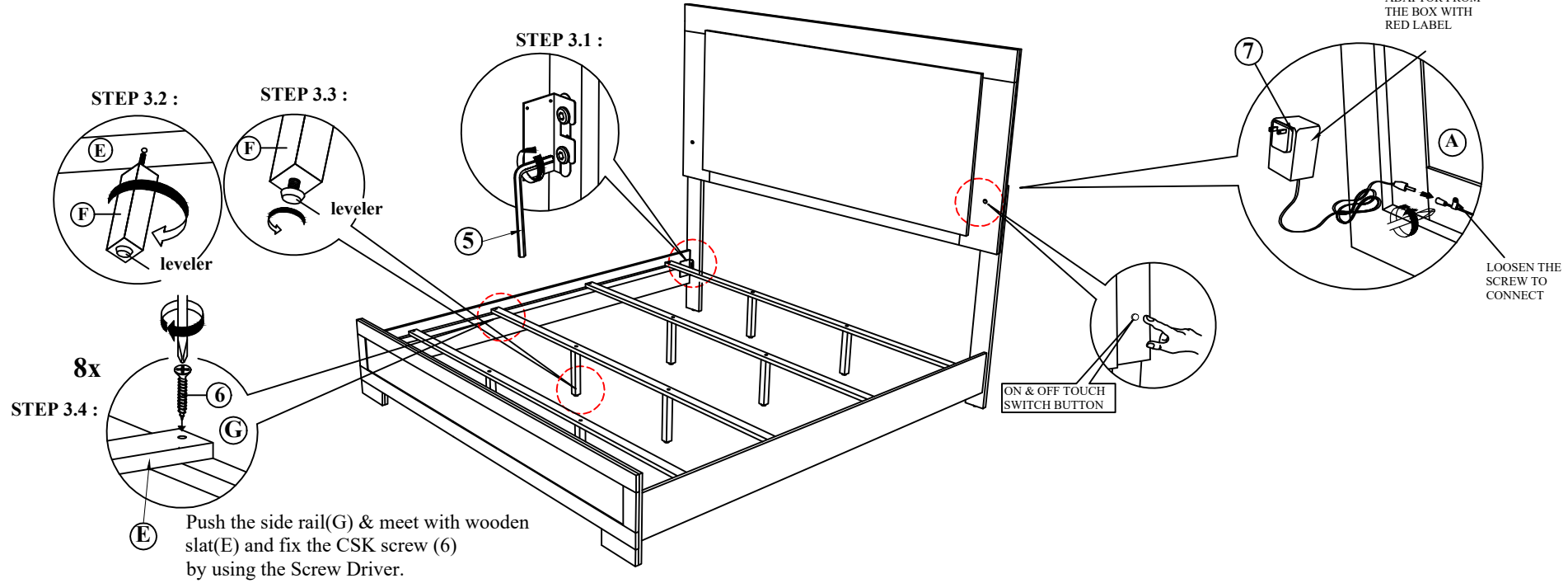


ASSEMBLY INSTRUCTIONS

STEP 3 : Tighten the 4 Corner with Allen Key (5). Fix the Bed Slat Support Leg (F), to Bed Slat (E) as shown. Install the bed slat (E) to side rail (G) and tighten with Csk Screw (6) as per diagram shown. (NOTE: THE SETUP MUST BE DONE AT THE DECIDED LOCATION FOR THE BED TO OBTAIN PERFECT STABILITY)

REMARK!!
REMOVE THE
ADAPTOR FROM
THE BOX WITH
RED LABEL



COMPLETE ASSEMBLY