

ASSEMBLY INSTRUCTION

MODEL : ME 0059A
DRESSER & MIRROR

(BOX 1)
BOX OF MIRROR

NO	ITEM	Qty
A	MIRROR	1 PC

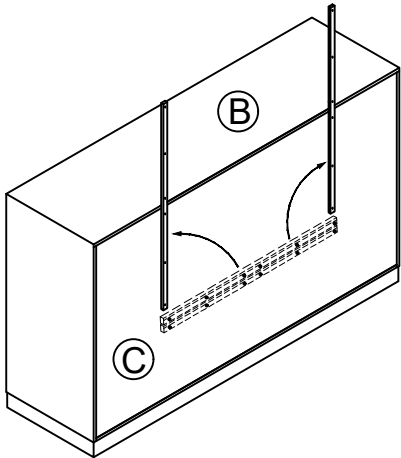
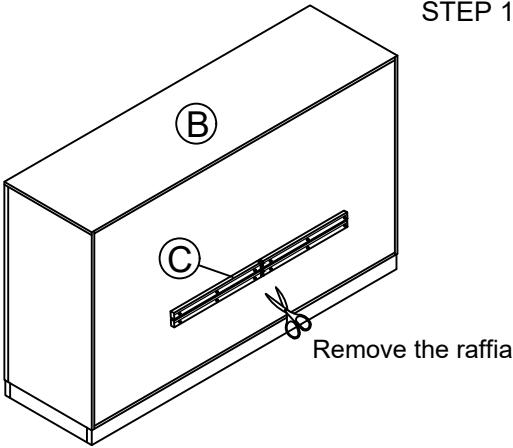
(BOX 2)
BOX OF DRESSER

NO	ITEM	Qty
B	DRESSER	1 PC
C	MIRROR SUPPORT RAIL	2 PCS

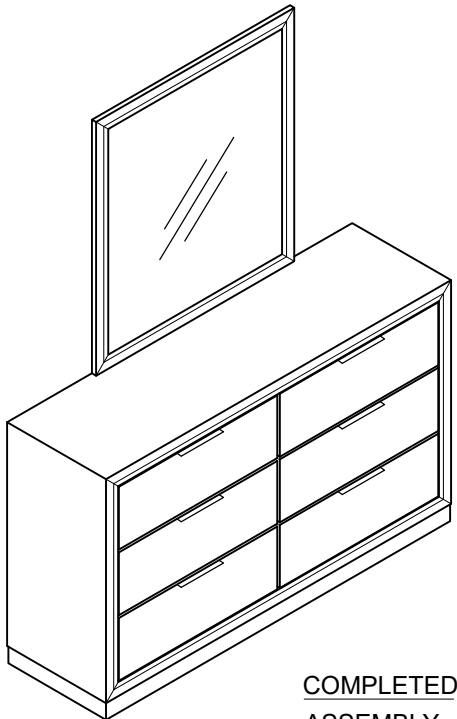
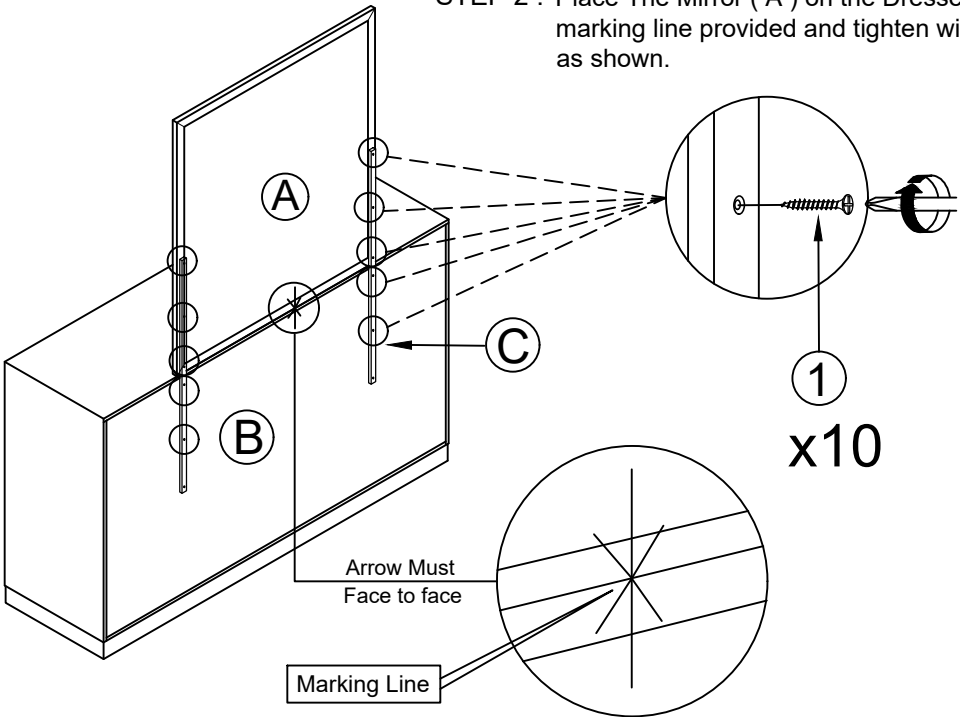
(BOX 1)
HARDWARE LIST

NO	ITEM	Qty
1	CSK M4 x 32mm	10 PCS

STEP 1 : Remove the raffia and turn the Mirror Support (C) upward at the back of Dresser (B) as per diagram shown.



STEP 2 : Place The Mirror (A) on the Dresser (B) by follow the marking line provided and tighten with CSK Screw (1) as shown.



COMPLETED
ASSEMBLY

NOTE : MUST TIGHTEN SCREWS PERIODCALLY WITH USE SCREW WILL BECOME LOOSE CHECK TIGHTNESS OF ALL SCREW EVERY 6-8 WEEKS.