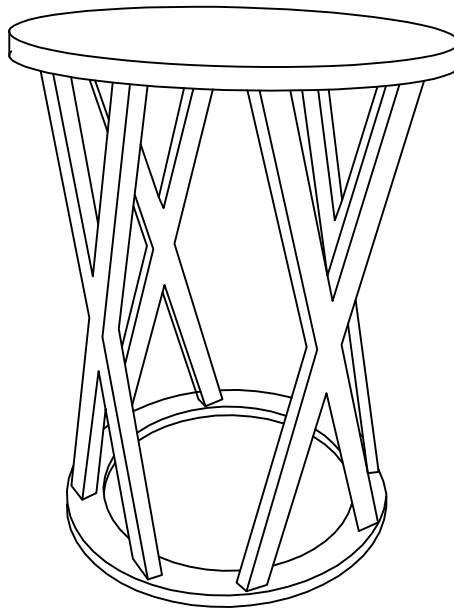


ASSEMBLY INSTRUCTIONS


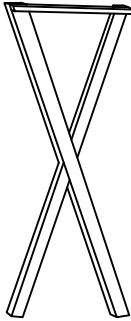
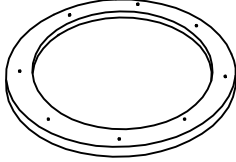
Style #2004AV-E & 2004WH-E
2004LP-E & 2004CA-E
2004BU-E Side Table





NOTE TO CUSTOMERS:

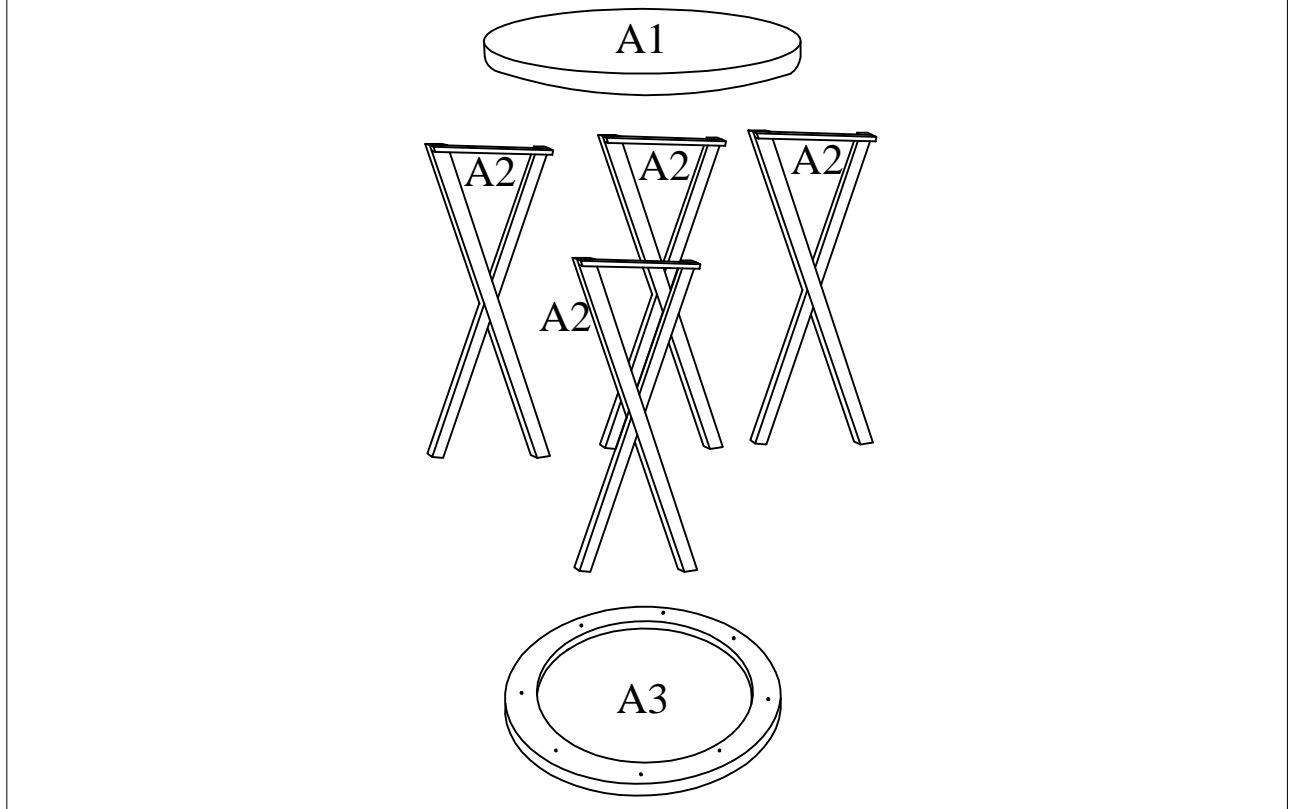
- For ease and speed of assembly we recommend that before you commence each step of the assembly that you identify all the parts required to complete that step.
- We recommend that where possible you allow sufficient space to assemble the item as close as possible to the place where it will be once assembled.
- For the protection of your furniture we recommend that the product is placed on protected surfaces during assembly to prevent any damage.
- During assembly do not over tighten ,as this may damage the product.
- Please ensure you retain all the product packaging until the item completely assembled.
- Please periodically check all fittings and re-tighten as necessary.
- Never allow any liquids to remain on your furniture as absorption can cause the wood to warp or the finish to de-laminate.
- It is recommended that this item should be assembled by two adults.

Part List


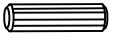
<p>A1 Quantity of 1</p> <div style="text-align: center; margin: 20px 0;">  </div> <p>Top Panel</p>	<p>A2 Quantity of 4</p> <div style="text-align: center; margin: 20px 0;">  </div> <p>Support Frame</p>	<p>A3 Quantity of 1</p> <div style="text-align: center; margin: 20px 0;">  </div> <p>Bottom Frame</p>
--	--	---

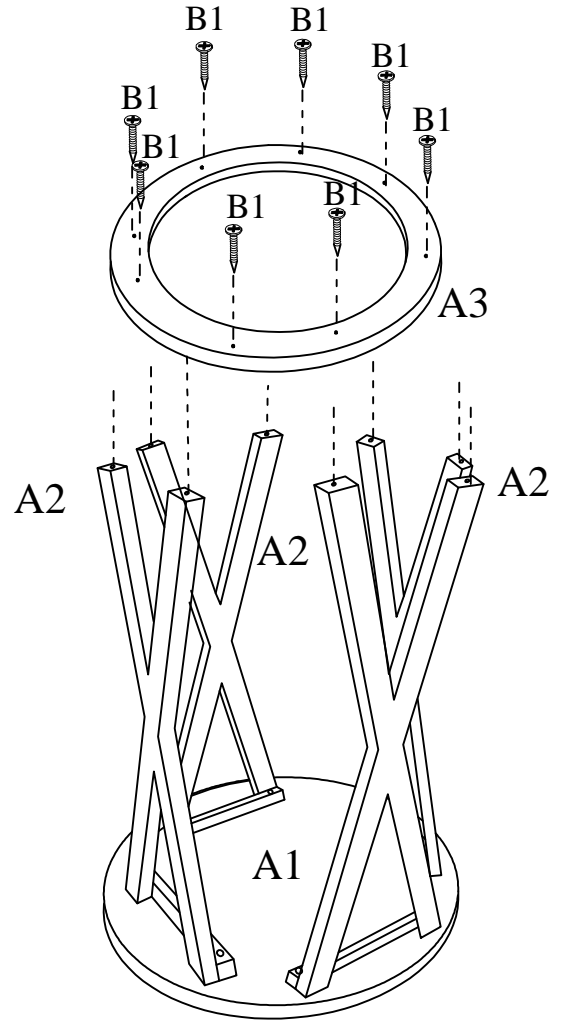
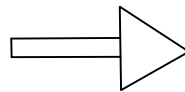
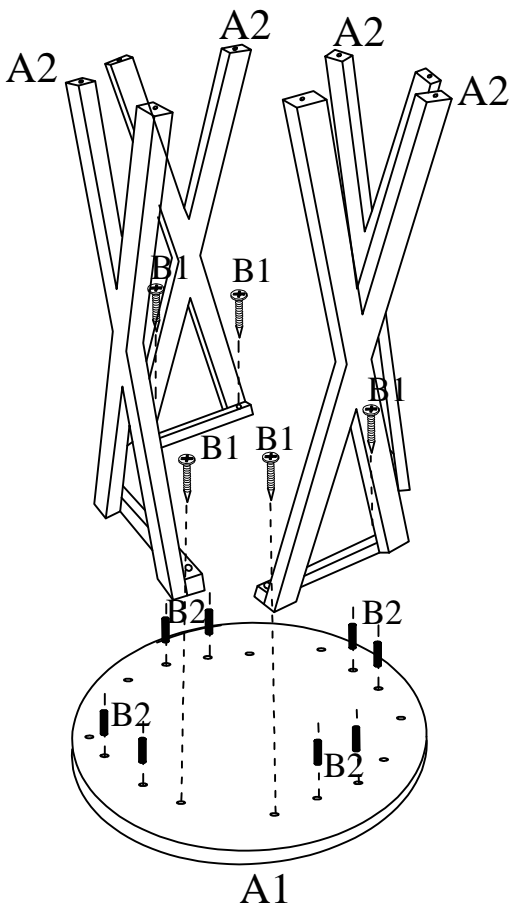
Hardware List

<p>B1 Quantity of 16</p> <div style="text-align: center; margin: 20px 0;">  </div> <p>Screw</p>	<p>B2 Quantity of 8</p> <div style="text-align: center; margin: 20px 0;">  </div> <p>Wood Dowel</p>
--	--



Assembly instruction

B1 :		16pcs
B2 :		8pcs



- 1). Assemble Support Frames A2 to Top Panel A1 using Screws B1 & Wood Dowels B2 as shown above.
- 2). Assemble Bottom Frame A3 to Support Frames A2 using Screws B1 as shown above.