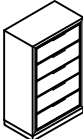

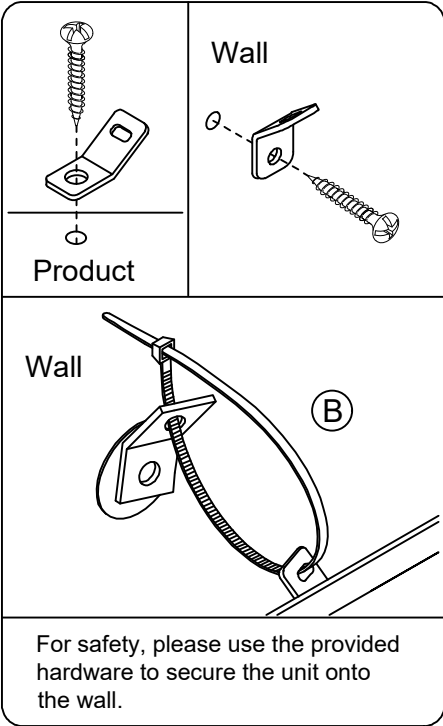
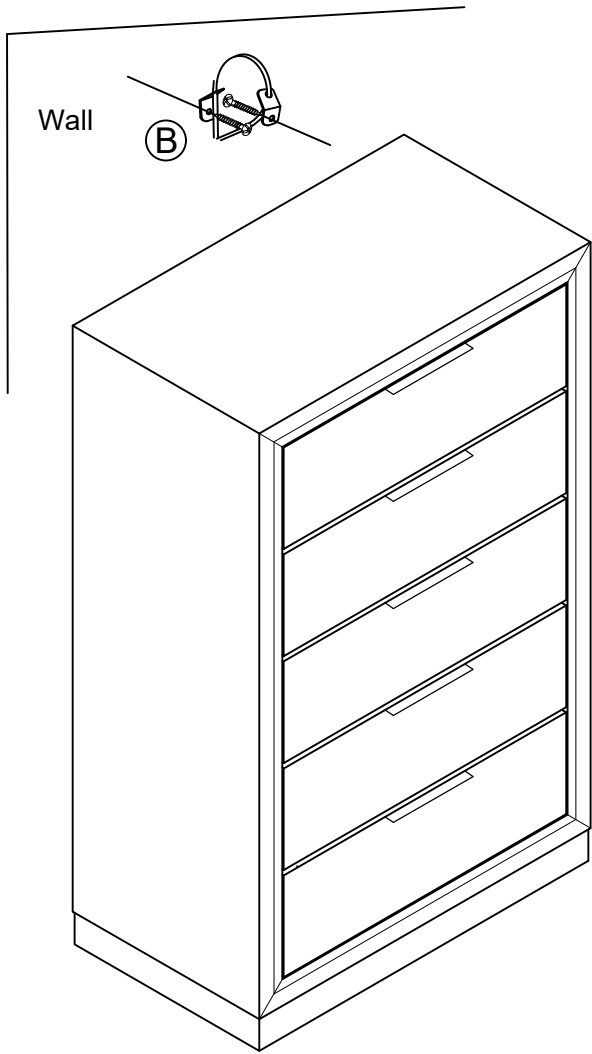


ASSEMBLY INSTRUCTION

MODEL : ME 0059A
CHEST

BOX OF CHEST

NO	ITEM	Qty
A	CHEST 	1 PC
B	Anti-Tip Kit 	1 Set



NOTE : MUST TIGHTEN SCREWS PERIODCALLY WITH USE SCREW WILL BECOME LOOSE CHECK TIGHTNESS OF ALL SCREW EVERY 6-8 WEEKS.