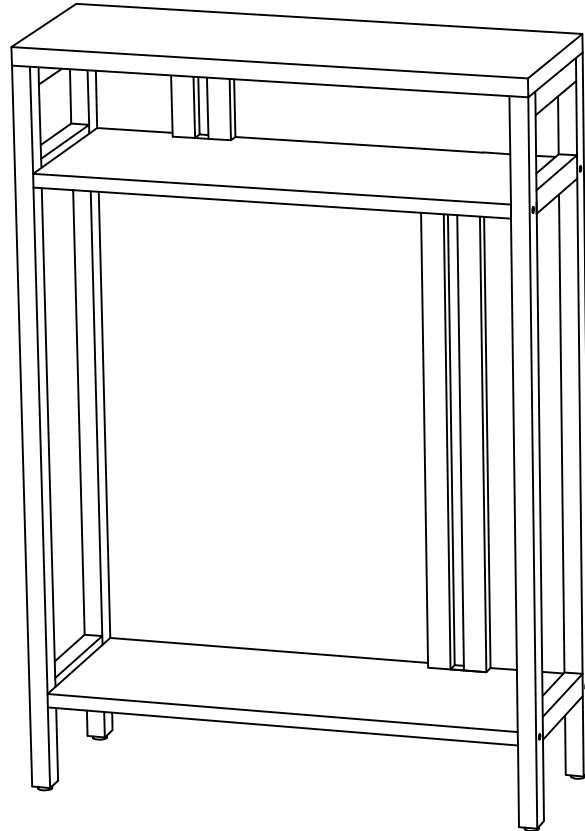


ASSEMBLY INSTRUCTIONS







Style# C1154 Console Table

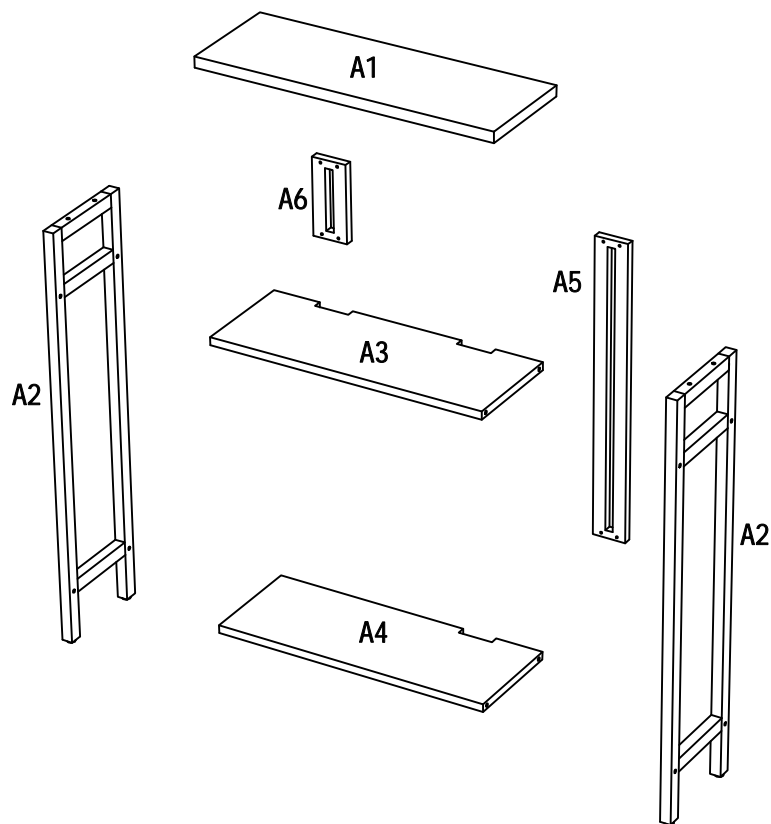


NOTE TO CUSTOMERS:

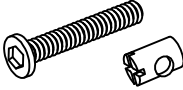



- For ease and speed of assemble we recommend that before you commence each step of the assembly that you identify all the parts required to complete that step.
- We recommend that where possible you allow sufficient space to assemble the item as close as possible to the place where it will be once assembled.
- For the protection of your furniture we recommend that the product is placed on protected surfaces during assembly to prevent any damage.
- During assembly do not over tighten, as this may damage the product.
- Please ensure you retain all the product packaging until the item completely assembled.
- Please periodically check all fittings and re-tighten as necessary.
- Please never allow any liquids to remain on your furniture as absorption can cause the wood to warp or the finish to de-laminate.
- It is recommended that this item should be assembled by two adults.

Part List

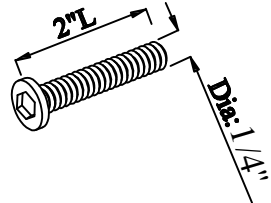
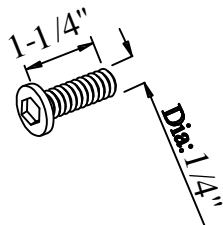
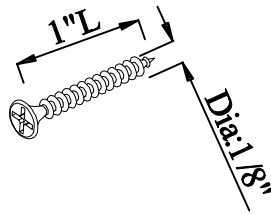


<p>A1. Qty: 1</p>  <p>Top Panel</p>	<p>A2. Qty: 2</p>  <p>Left&Right Side Panel</p>	<p>A3. Qty: 1</p>  <p>Shelf Panel</p>	<p>A4. Qty: 1</p>  <p>Bottom Panel</p>
<p>A5. Qty: 1</p>  <p>Rear Support Bar</p>	<p>A6. Qty: 1</p>  <p>Rear Support Bar</p>		



Hardware List

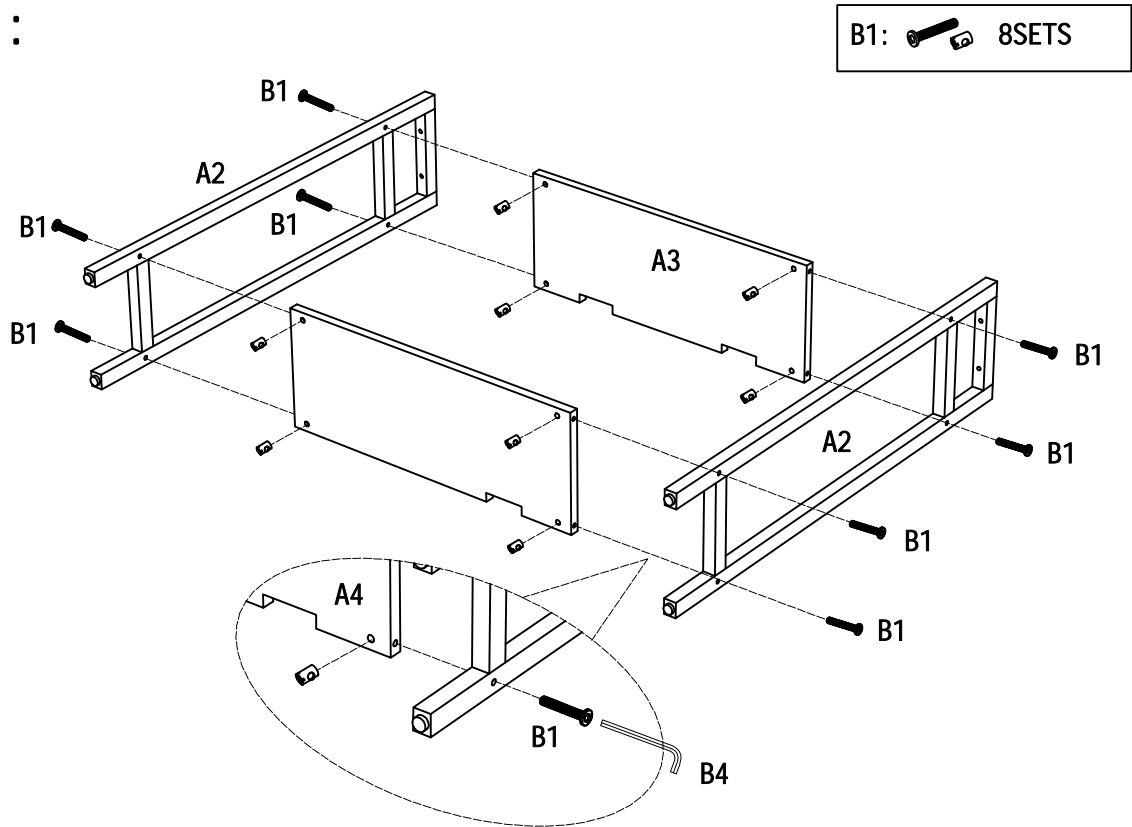
B1. Cam-lock Qty: 8 	B2. Screw Qty: 4 	B3. Screw Qty: 8 	B4. Qty: 1 

APPENDIX: Dimension of Hardware in this AI.

B1.  Bol t	B2.  Bol t	B3.  Screw
B1.  Nut	B4. 	

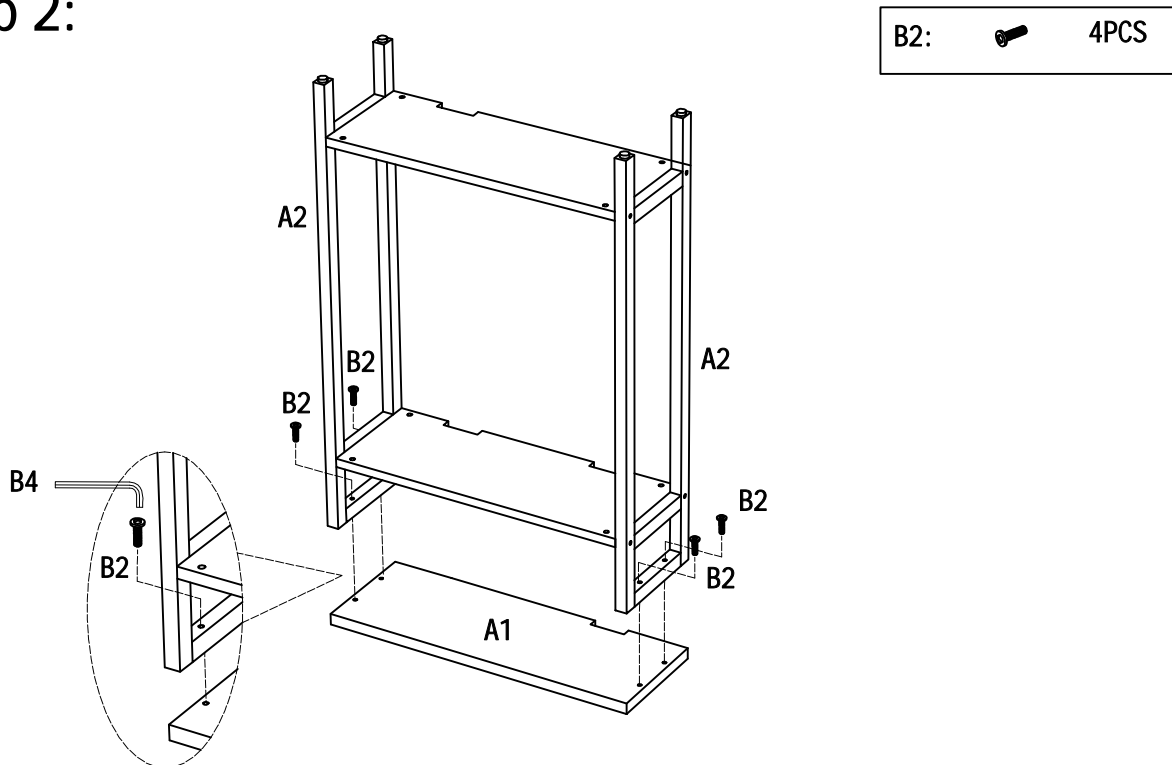
Assembly Instruction

Step 1:



Assemble Shelf A3 & Bottom Panel A4 to Side Frames A2 using Bolts & Nut B1 as shown above.

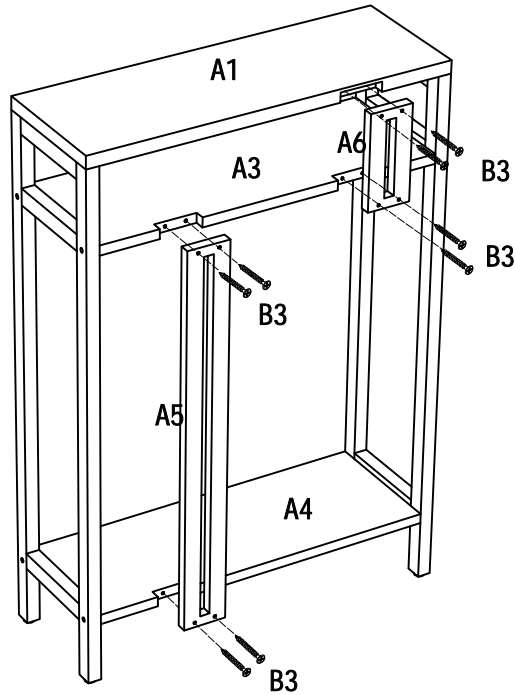
Step 2:



Assemble Side Frames A2 to the bottom of Top Panel A1 using Bolts B2 as shown above.

Step 3:

B3:  8PCS



Assemble Rear Support Bar A5 to Shelf A3 & Bottom Panel A4 using Screws B3 as shown above. Then assemble Rear Support Bar A6 to Shelf A3 and Top Panel A1 using screws B3 as shown above.

Step 4:

