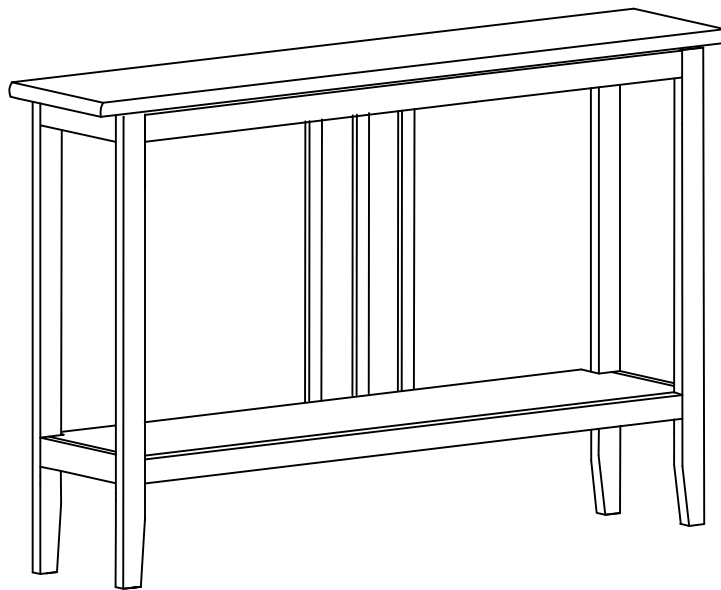


# ASSEMBLY INSTRUCTIONS

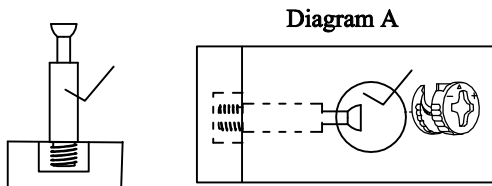
Style # C1153-WH&C1153-EP Console Table



## NOTE TO CUSTOMERS:

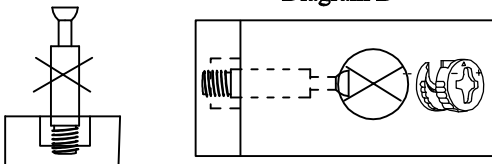
- For ease and speed of assembly we recommend that before you commence each step of the assembly that you identify all the parts required to complete that step.
- We recommend that where possible you allow sufficient space to assemble the item as close as possible to the place where it will be once assembled.
- For the protection of your furniture we recommend that the product is placed on protected surfaces during assembly to prevent any damage.
- During assembly do not over tighten ,as this may damage the product.
- Please ensure you retain all the product packaging until the item completely assembled.
- Please periodically check all fittings and re-tighten as necessary.
- Never allow any liquids to remain on your furniture as absorption can cause the wood to warp or the finish to de-laminate.
- It is recommended that this item should be assembled by two adults.

**To insert a cam lock: (Please read below instructions before assembling)**



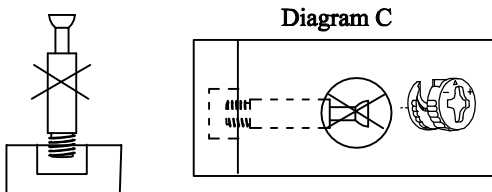
**Diagram A**

1. Insert cam screw into hole as shown in diagram A .



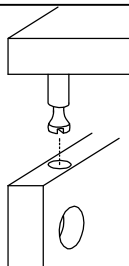
**Diagram B**

Make sure not to insert the cam screw:  
Too deep as shown in figure B as this will cause the  
cam screw to be misaligned and unable to  
interlock properly.

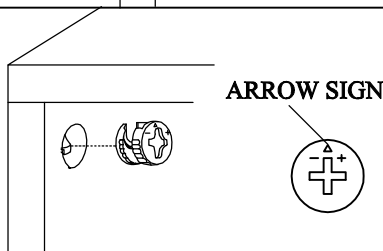


**Diagram C**

Also avoid inserting the cam screw too close to the  
surface of the hole as shown in figure C, as this will  
cause the cam lock to be too loose, and not interlock  
properly.

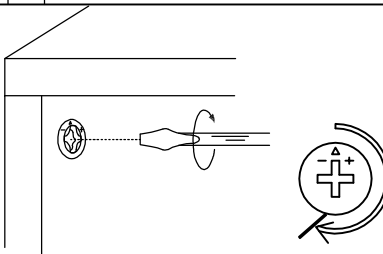


2. Connect the panels together.



**ARROW SIGN**

3. When inserting the cam lock make sure the arrow  
of the cam lock faces the cam screw.




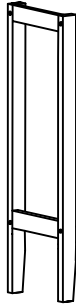
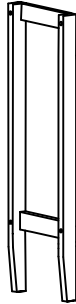






4. To tighten the cam lock turn the cam lock clockwise  
90-180 degree or until the arrow is facing opposite  
the place cam lock was inserted.

**NOTE: DO NOT USE AN AUTOMATIC  
SCREWDRIVER TO TIGHTEN CAM LOCKS.**

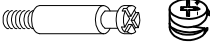




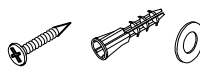
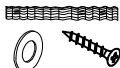
**Note:**

- Read these instructions carefully before assembling.
- Tools required : Phillips screwdriver, flat screwdriver.
- Find a clean, smooth area on which to work , such as a carpet, in order to avoid scratching the wood surfaces.
- Wait to dispose of the packing material until assembly is complete and all parts and hardware are accounted for.
- Two or more people might be required for assembly.

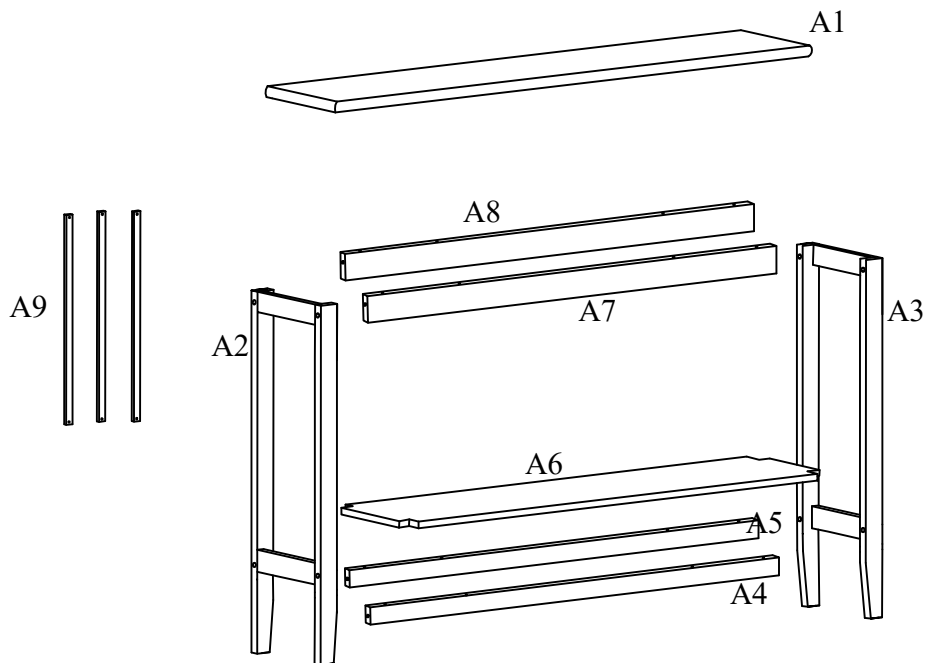
# Part List

<p>A1 <span style="float: right;">Quantity of 1</span></p>  <p><b>Top Panel</b></p>	<p>A2 <span style="float: right;">Quantity of 1</span></p>  <p><b>Left Side Panel</b></p>	<p>A3 <span style="float: right;">Quantity of 1</span></p>  <p><b>Right Side Panel</b></p>
<p>A4 <span style="float: right;">Quantity of 1</span></p>  <p><b>Front Connect Bar (Lower)</b></p>	<p>A5 <span style="float: right;">Quantity of 1</span></p>  <p><b>Back Connect Bar (Lower)</b></p>	<p>A6 <span style="float: right;">Quantity of 1</span></p>  <p><b>Shelf Panel</b></p>
<p>A7 <span style="float: right;">Quantity of 1</span></p>  <p><b>Front Connect Bar (Upper)</b></p>	<p>A8 <span style="float: right;">Quantity of 1</span></p>  <p><b>Back Connect Bar (Upper)</b></p>	<p>A9 <span style="float: right;">Quantity of 3</span></p>  <p><b>Center Connect Bar</b></p>

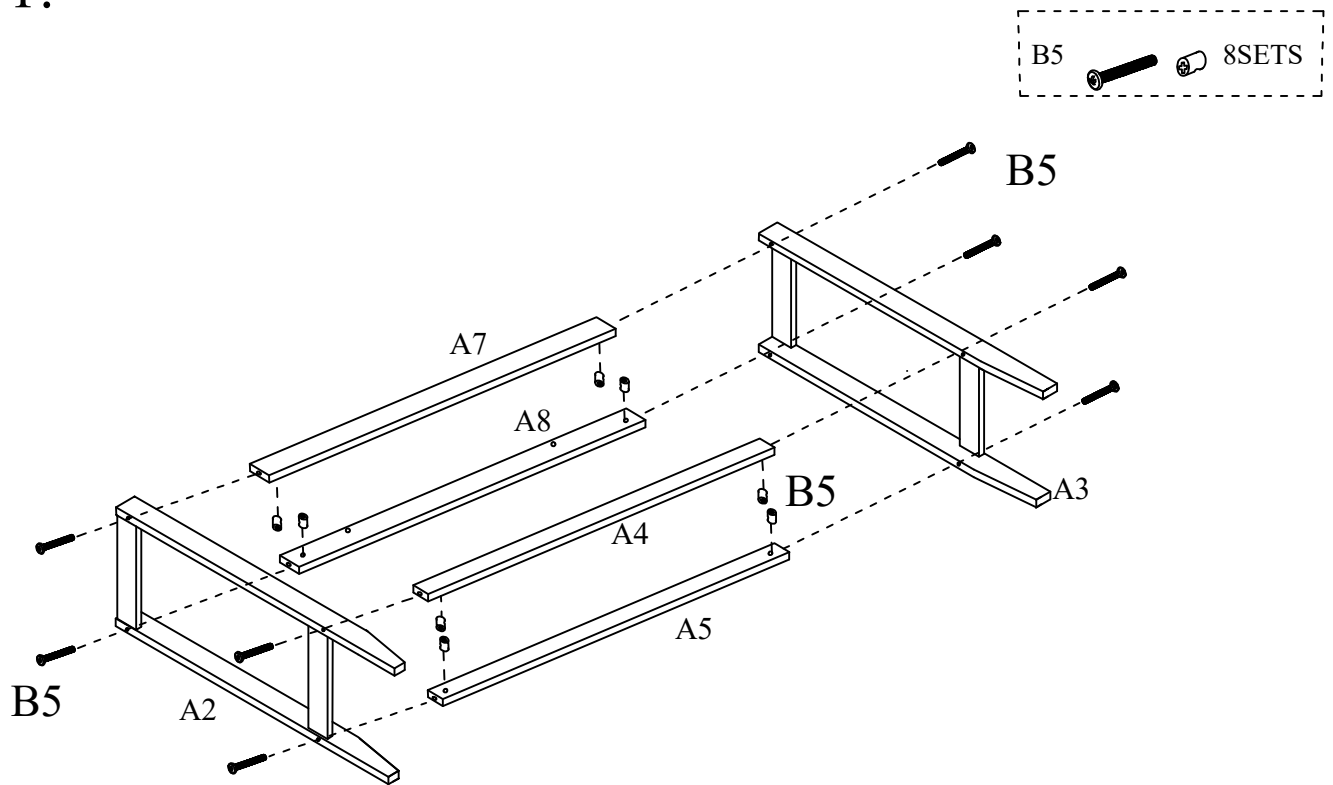
# Hardware List

<p>B1</p> <p style="text-align: center;">Quantity of 4</p>  <p><b>Camlock</b></p>	<p>B2</p> <p style="text-align: center;">Quantity of 8</p>  <p style="text-align: center;"><math>\frac{3}{8}</math>"*1-<math>\frac{1}{4}</math>"</p> <p><b>Wood Dowel</b></p>	<p>B3</p> <p style="text-align: center;">Quantity of 4</p>  <p style="text-align: center;">1/8"*1-<math>\frac{1}{4}</math>"</p> <p><b>Screw</b></p>	<p>B4</p> <p style="text-align: center;">Quantity of 6</p>  <p style="text-align: center;">1/8"*1"</p> <p><b>Screw</b></p>
<p>B5</p> <p style="text-align: center;">Quantity of 8</p>  <p><b>Bolt with Nut</b></p>	<p>B6</p> <p style="text-align: center;">Quantity of 1</p>  <p style="text-align: center;">1/8"*1-<math>\frac{1}{4}</math>"</p> <p><b>Anchor with screw</b></p>	<p>B7</p> <p style="text-align: center;">Quantity of 1</p>  <p><b>Anti-tip kit</b></p>	

# Part List

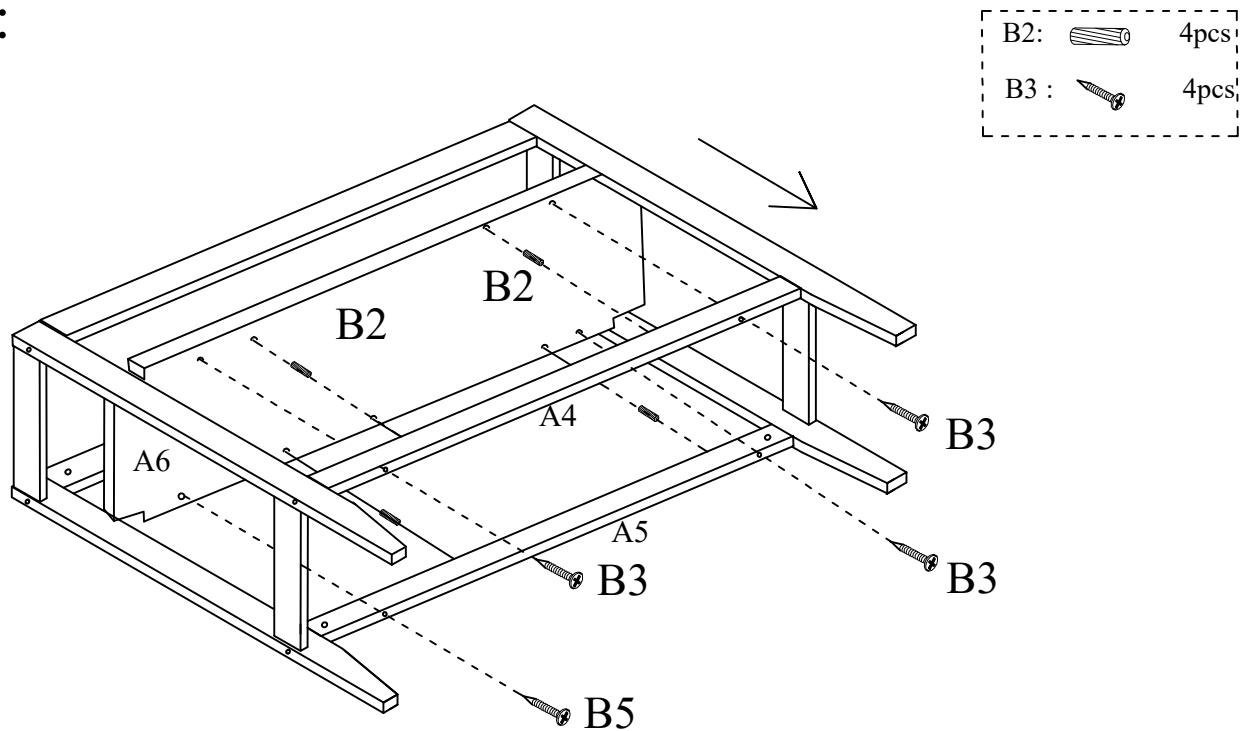


## Step 1:



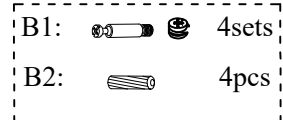
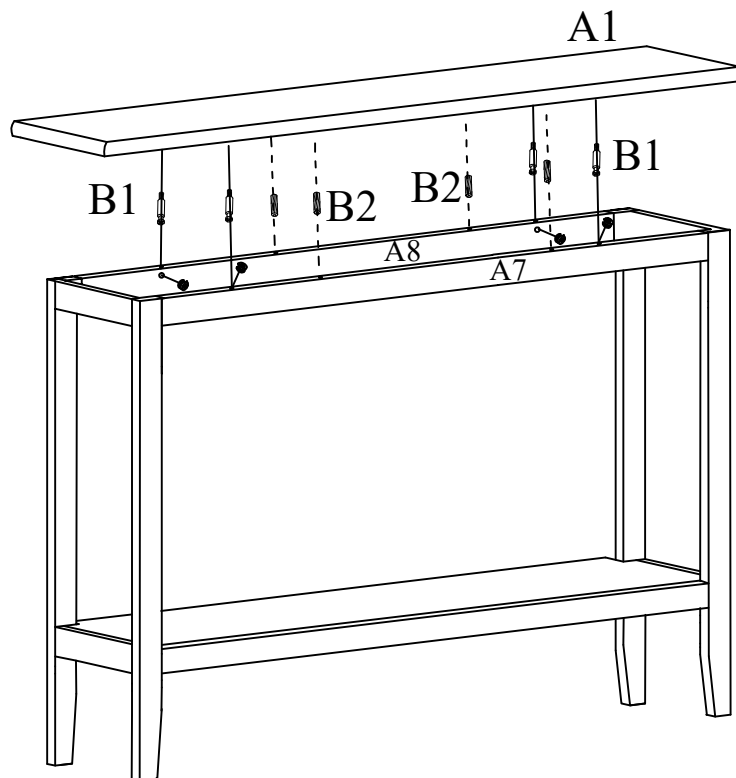
Assemble Side Panels A2 & A3 to Connect Bar A4 & A5 & A7 & A8 using Bolts with Nuts B5 as shown above.

## Step 2:



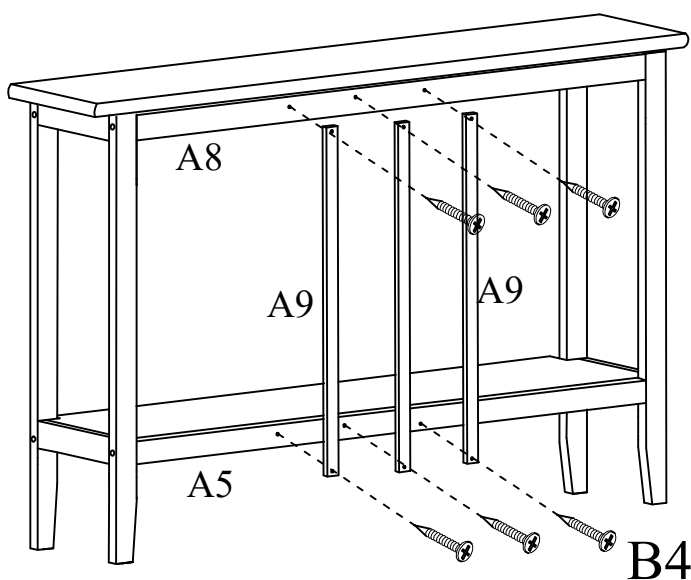
Assemble Shelf Panel A6 to Lower Connect Bars A4 & A5 using Wood Dowels B2 & Screws B3 as shown above.

### Step 3:



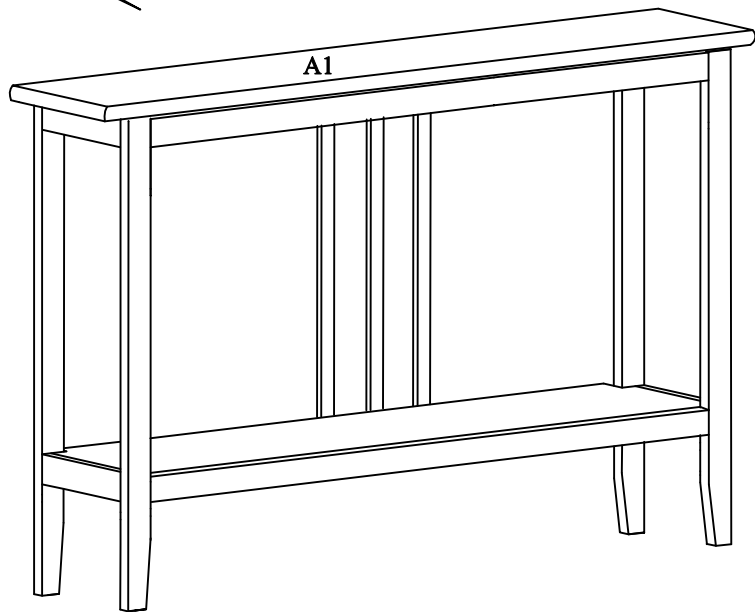
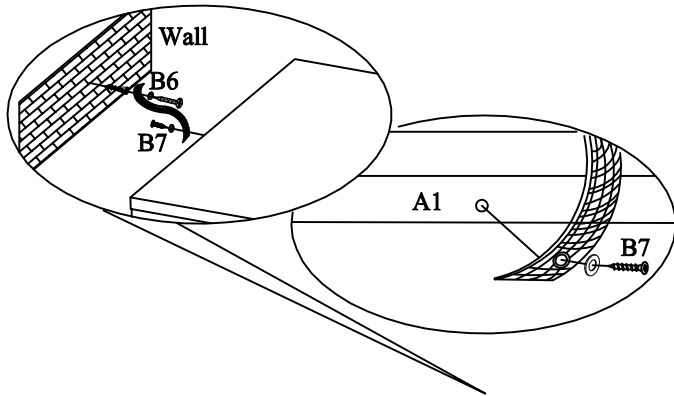
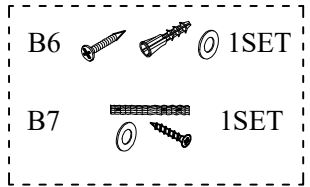
Assemble Top Panel A1 to Upper Connect Bars A7 & A8 using Camlocks B1 & Wood Dowels B2 as shown above.

### Step 4:



Assemble Center Connect Bars A9 to Back Connect Bars A5 & A8 using Screws B4 as shown above.

# Step 5:



For your safety, attached this unit to the wall by Anchor with screw B6 and Anti-tip kit B7.