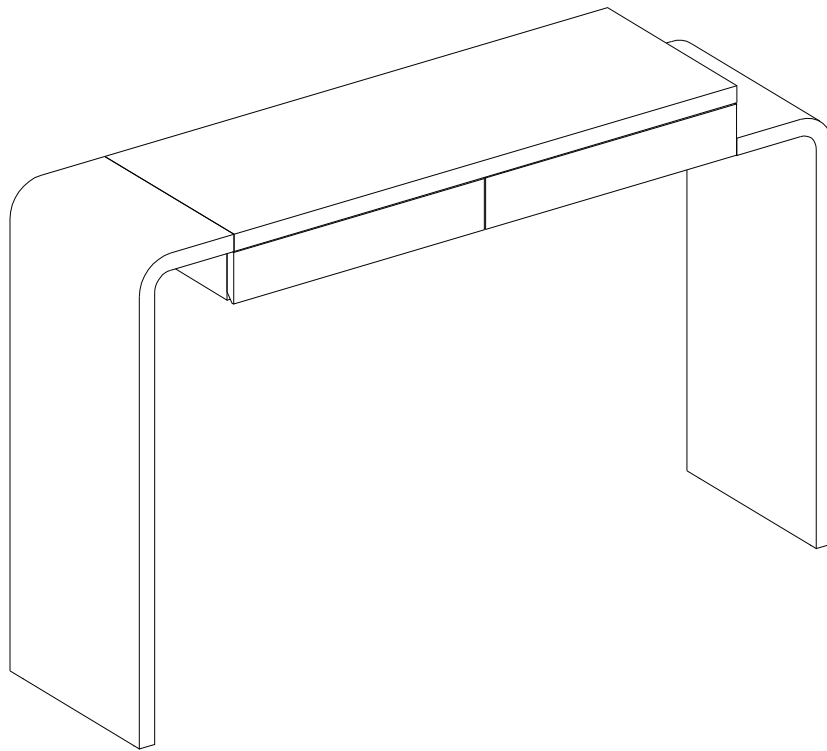


ASSEMBLY INSTRUCTIONS

Style # C1162 Console Table



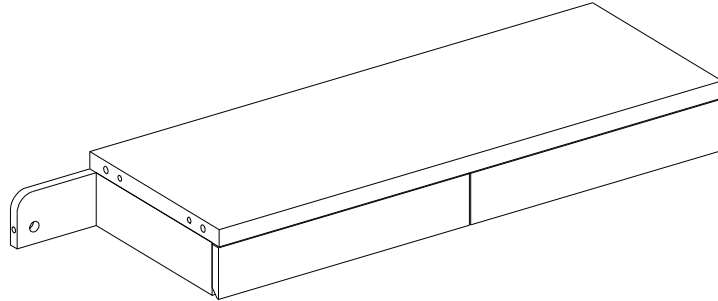
NOTE TO CUSTOMERS:

- For ease and speed of assembly we recommend that before you commence each step of the assembly that you identify all the parts required to complete that step.
- We recommend that where possible you allow sufficient space to assemble the item as close as possible to the place where it will be once assembled.
- For the protection of your furniture we recommend that the product is placed on protected surfaces during assembly to prevent any damage.
- During assembly do not over tighten, as this may damage the product.
- Please ensure you retain all the product packaging until the item completely assembled.
- Please periodically check all fittings and re-tighten as necessary.
- It is recommended that this item should be assembled by two adults.

Parts List

A

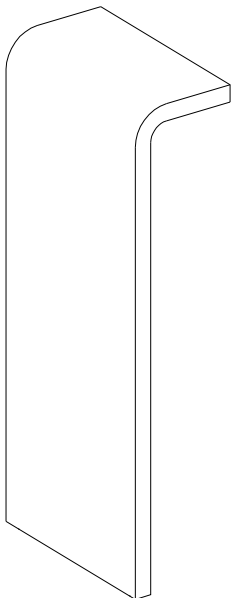
Quantity
of 1



Top Frame

B

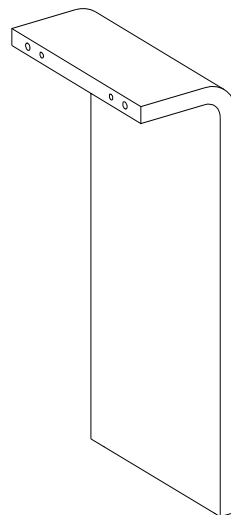
Quantity
of 1



Left Frame

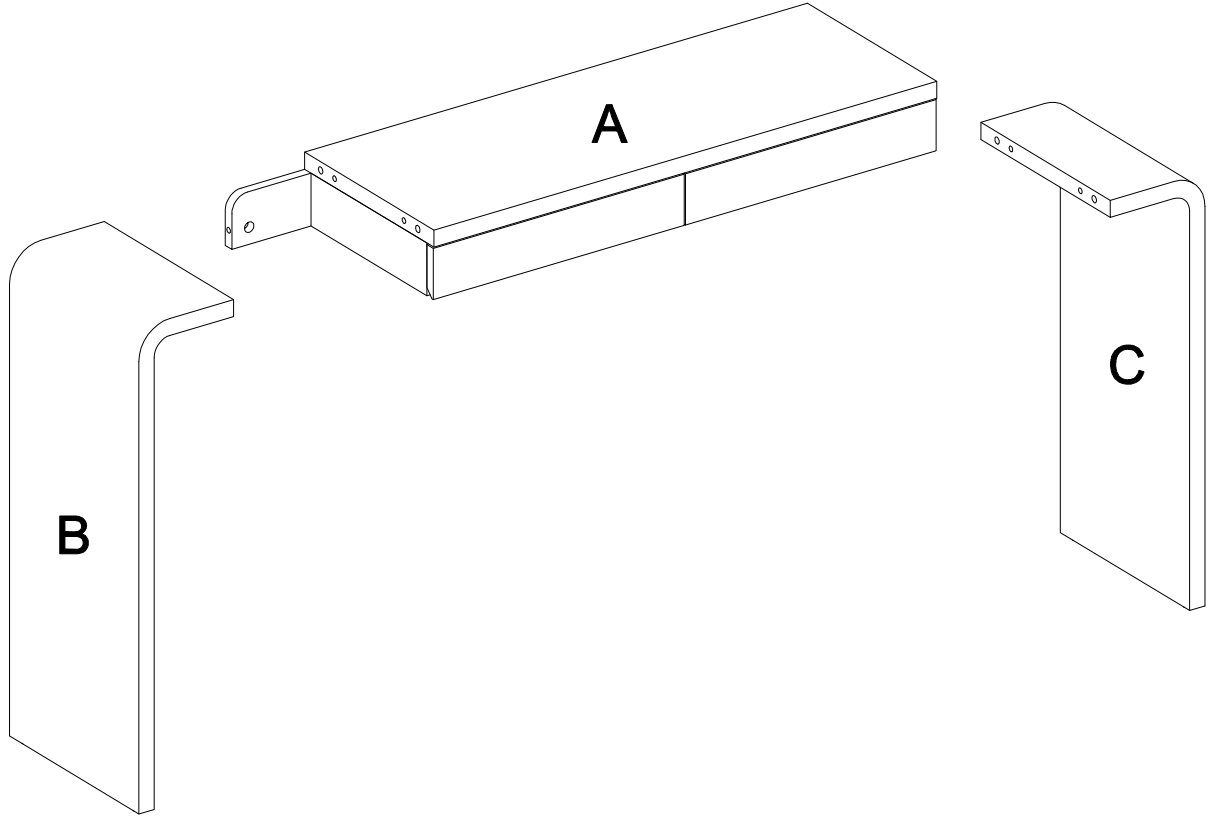
C

Quantity
of 1

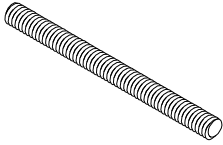
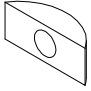


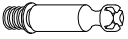
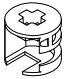
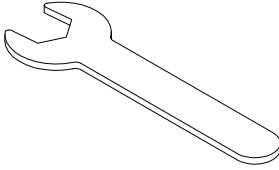


Right Frame

Parts List

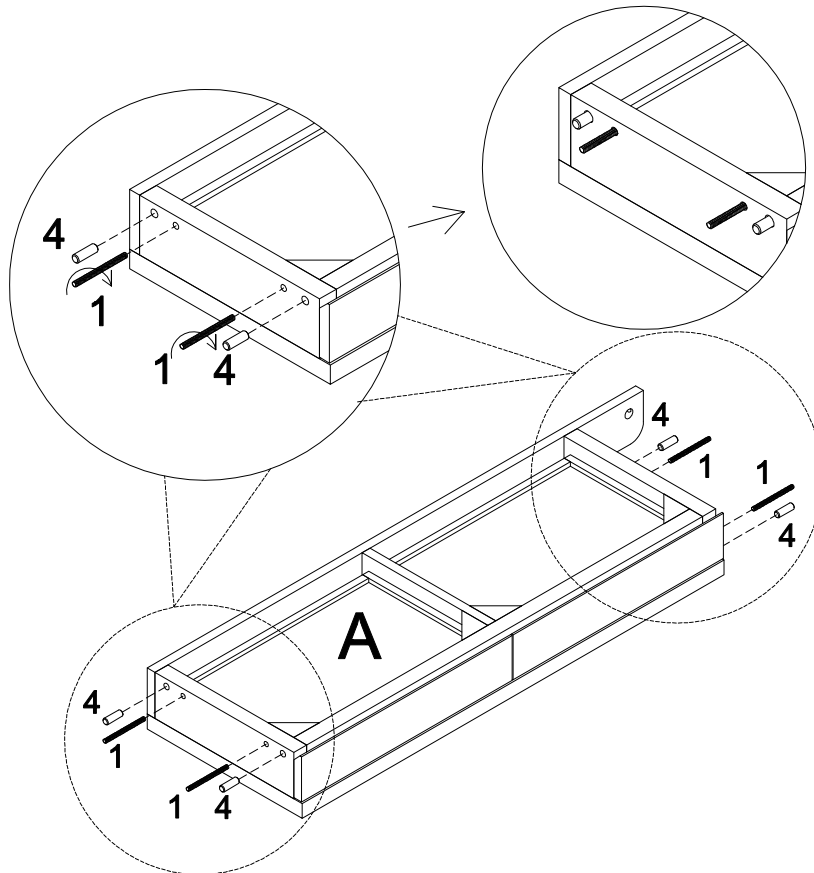


Hardware List


| | | | |
|---|---|--|---|
| <p>1 Quantity of 4</p>  <p>Dia $\frac{5}{16}$" x 3" Bolt</p> | <p>2 Quantity of 4</p>  <p>Gasket</p> | <p>3 Quantity of 4</p>  <p>Hexagon Nuts</p> | <p>4 Quantity of 4</p>  <p>Wooden Tenon</p> |
| <p>5 Quantity of 1</p>  <p>Cam-Bolt</p> | <p>6 Quantity of 1</p>  <p>Cam-Lock</p> | <p>7</p>  <p>Open Spanner</p> | |

Assemble instructions

Step 1:

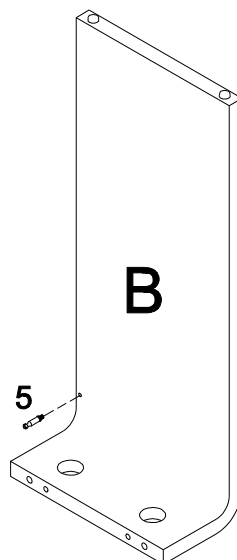


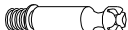
1  4PCS

4  4PCS

Insert Wood Dowels (4) and Bolts (1) to Top Panel (A), then tighten Bolt (1) as shown above.




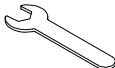
Step 2:

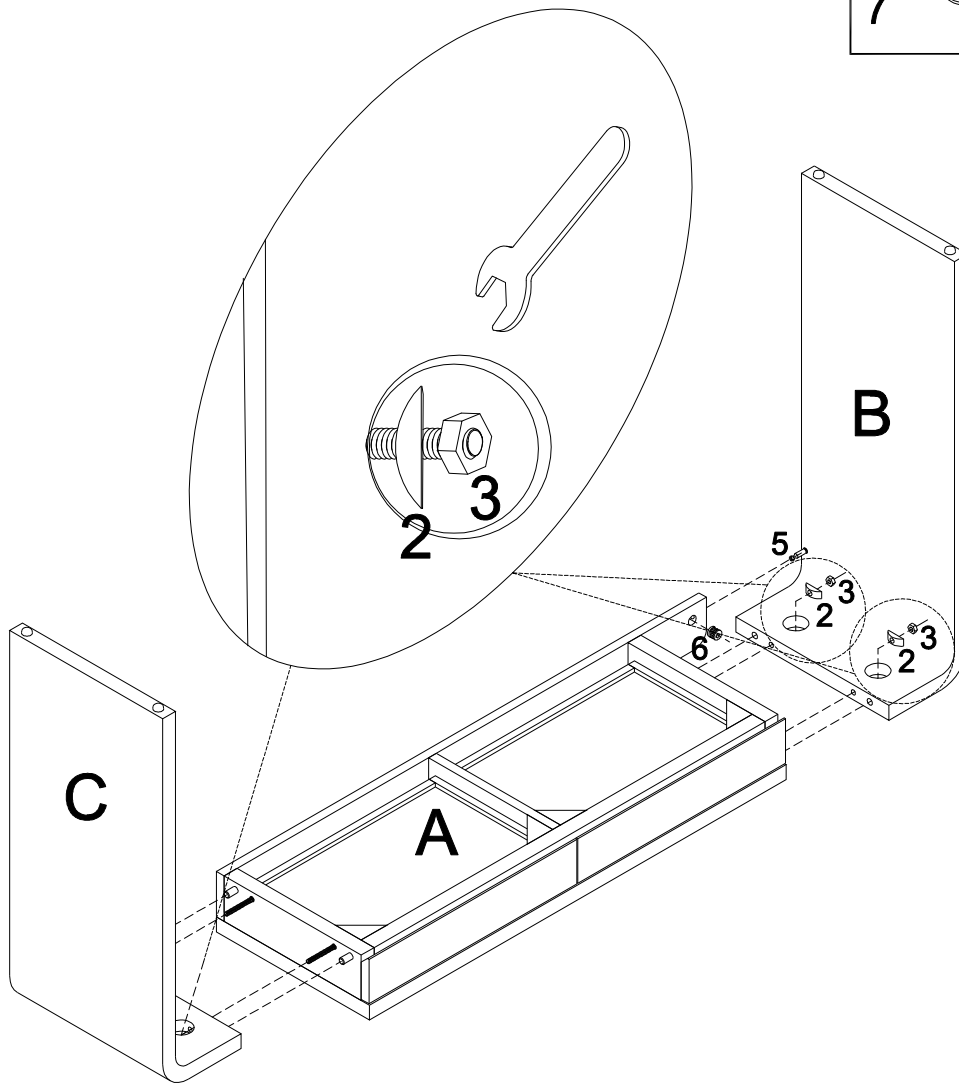


5  1PC

Assemble instructions

Step 3:

| | | |
|---|---|------|
| 2 |  | 4PCS |
| 3 |  | 4PCS |
| 6 |  | 1PC |
| 7 |  | 1PC |



Assemble Left Frame (B) & Right Frame (C) to Top Panel (A) using Gaskets (2) & Hexagon Nuts (3) ,Cam-Bolt (5) & Cam-Lock (6) and Bolts (1) as shown above.