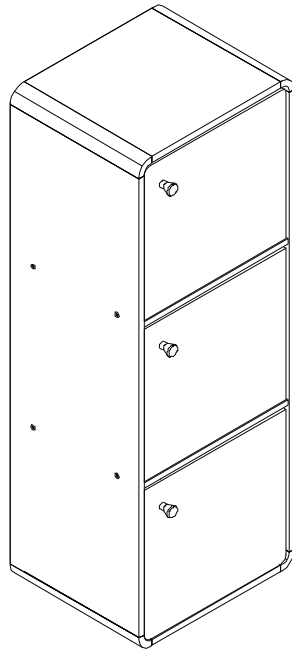


ASSEMBLY INSTRUCTIONS

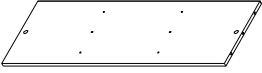
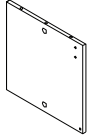
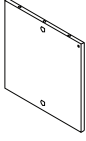
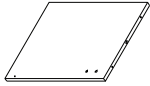
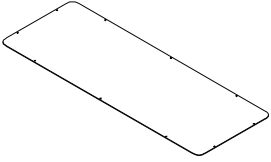
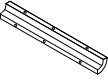
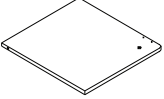
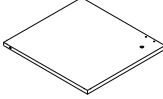
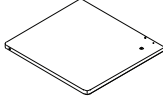
MODEL #BK 1269: BOOKCASE



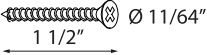
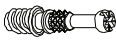

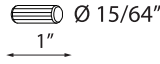
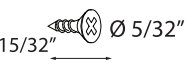



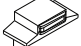


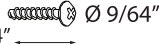
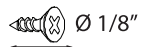

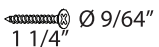

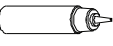

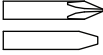
NOTE TO CUSTOMERS:

- For ease and speed of assembly we recommend that before you commence each step of the assembly that you identify all the parts required to complete that step.
- We recommend that where possible you allow sufficient space to assemble the item as close as possible to the place where it will be once assembled.
- For the protection of your furniture we recommend that the product is placed on a dry, soft, smooth and clean surfaces during assembly to prevent any damage. Avoid damp and direct sunlight.
- During assembly do not over tighten the screws or bolts, as this may damage the product.
- Please ensure you retain all the product packaging until the item is completely assembled.
- Periodically check all fitting and re-tighten as necessary.
- Never allow any liquids to remain on your furniture as absorption can cause the wood to warp or finish to de-laminate.
- It is recommended that this item should be assembled by two adults.

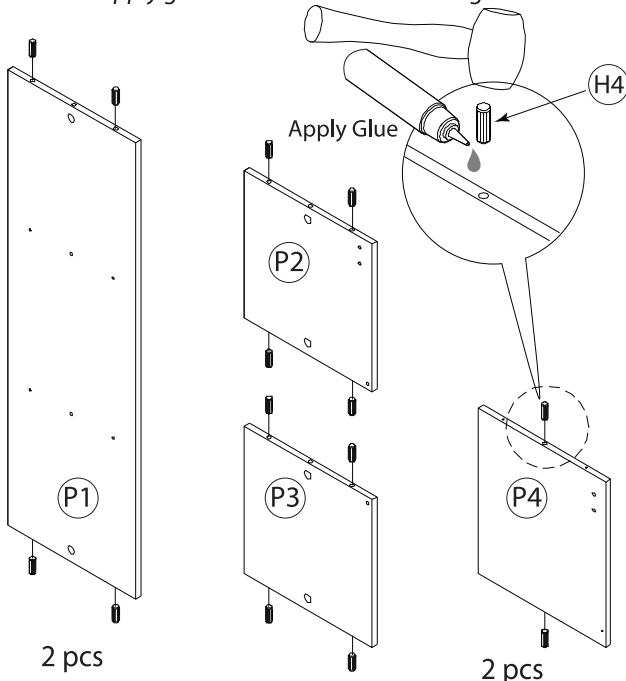
PARTS IDENTIFICATION

P1 Quantity: 2 	P2 Quantity: 1 	P3 Quantity: 1 	P4 Quantity: 2 	P5 Quantity: 1 
Side Panel	Top Panel	Bottom Panel	Shelve Panel	Back Panel
P6 Quantity: 4 	P7 Quantity: 1 	P8 Quantity: 1 	P9 Quantity: 1 	
Corner Connector	Upper Door	Middle Door	Lower Door	

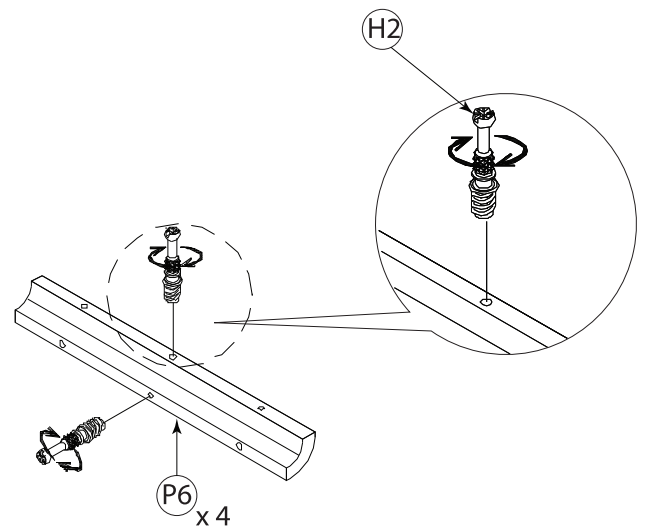
HARDWARE LIST

H1 Screw #9 x 1 1/2"  Quantity: 8 pcs	H2 Connecting Bolts  Quantity: 8 pcs	H3 Cam Lock 15 x 9.5mm  Quantity: 8 pcs	H4 Wooden Dowel M6 x 25  Quantity: 20 pcs	H5 Screw M4 x 12.  Quantity: 10 pcs
H6 Colored Sticker  Quantity: 16 pcs	H7 Pivot Hinge  Quantity: 6 pcs	H8 Catcher Plate  Quantity: 3 pcs	H9 Magnetic Catcher  Quantity: 3 pcs	H10 Screw for Catcher M3.5 x 12  Quantity: 6 pcs
H11 Door Pull  Quantity: 3 pcs	H12 Screw Pan Head for Pull #6 x 16.5  Quantity: 3 pcs	H13 Screw for anti-tip M3.5 x 16  Quantity: 1 pc	H14 Anti-tip web strip  Quantity: 1 pc	H15 Screw for mount to wall #6 x 1 1/4"  Quantity: 1 pc
H16 Wall plug for Screw H15  Quantity: 1 pc	Glue  Quantity: 1 tube	Tools required:  MALLET  HOUSEHOLD SCREWDRIVER		

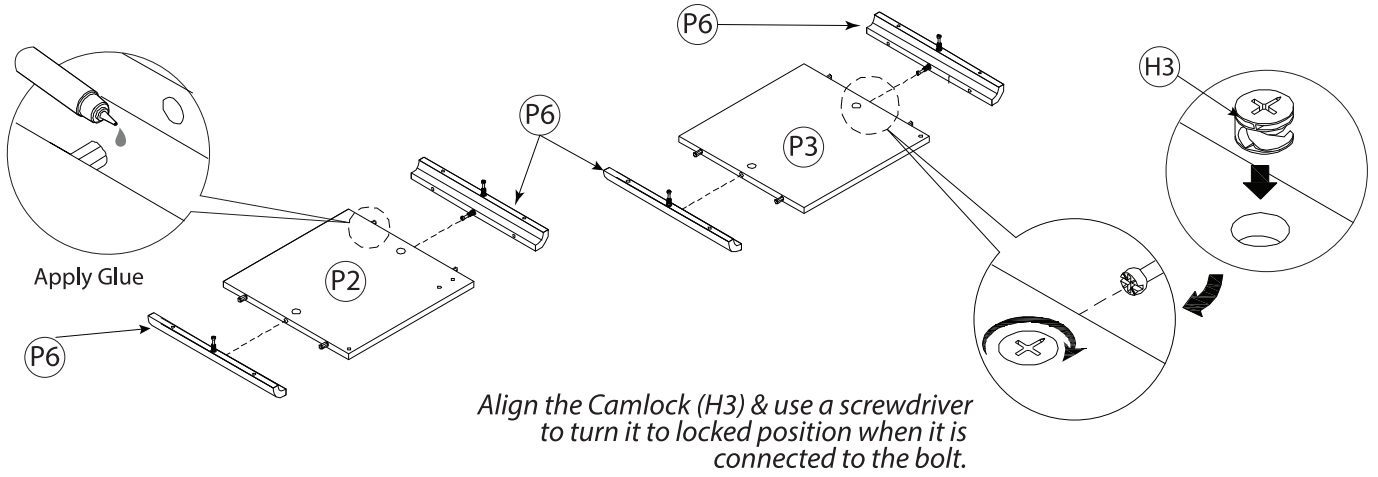
STEP 1 Insert wooden dowels (H4) into the following parts, apply glue to the holes to add strength.



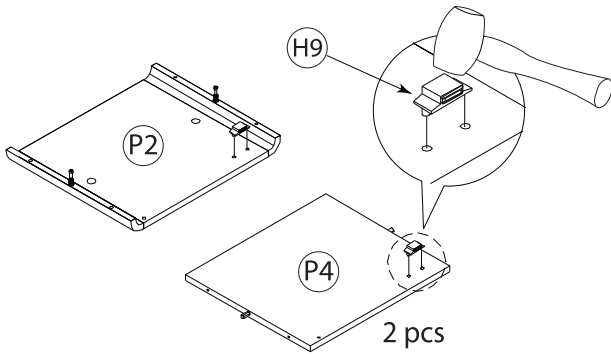
STEP 2 Align the Connecting Bolt (H2), use a household Philip Screwdriver to drive the bolt until it is snug.



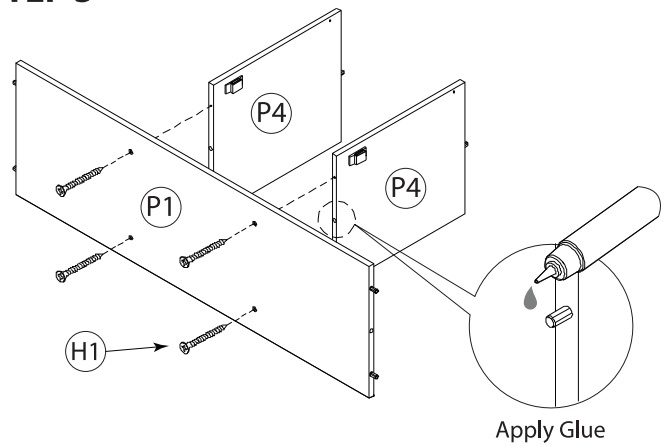
STEP 3 Attach the Corner Connector (P6) to both ends of the Panel (P2) & (P3). Apply glue to the dowel to add strength, and push the parts until they are fit firmly.



STEP 4 Tap the Magnetic Catcher (H9) to the holes in (P2) & (P4).



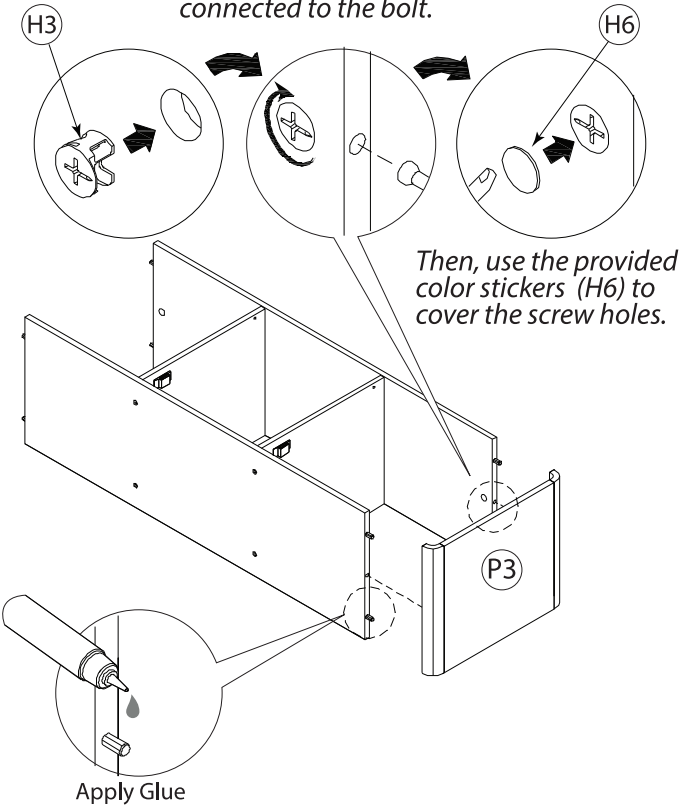
STEP 5



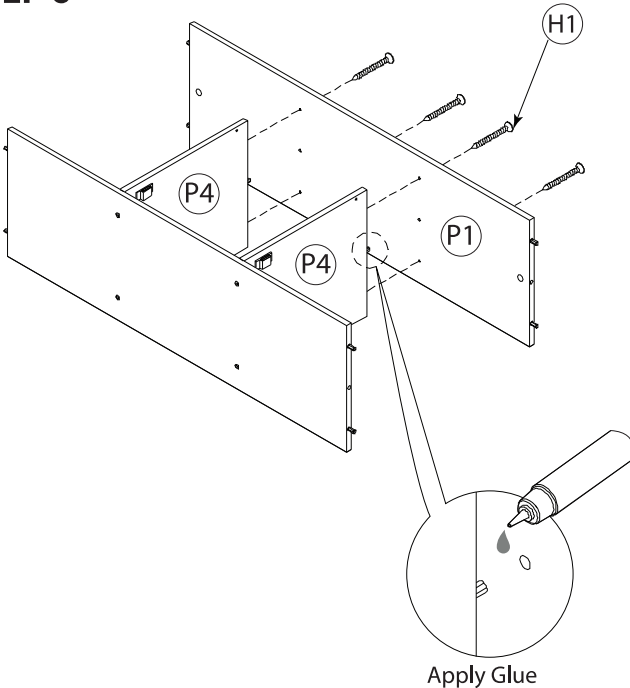
IMPORTANT NOTE:
APPLYING A SUFFICIENT AMOUNT OF GLUE IS A MUST.

PUSH THE PARTS THAT CONNECTED WITH THE WOODEN DOWELS UNTIL THEY ARE SNUG AND FIT TIGHTLY.

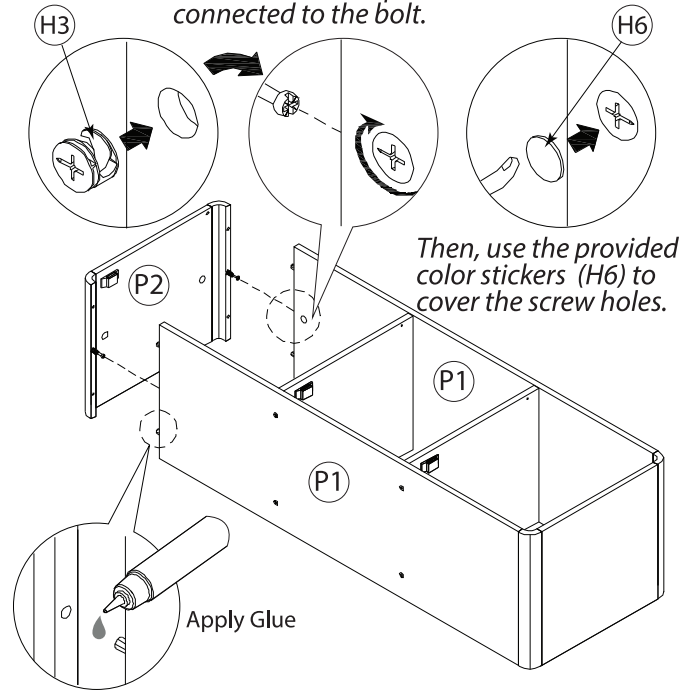
STEP 7 Align the Camlock (H3) & use a screwdriver to turn it to locked position when it is connected to the bolt.



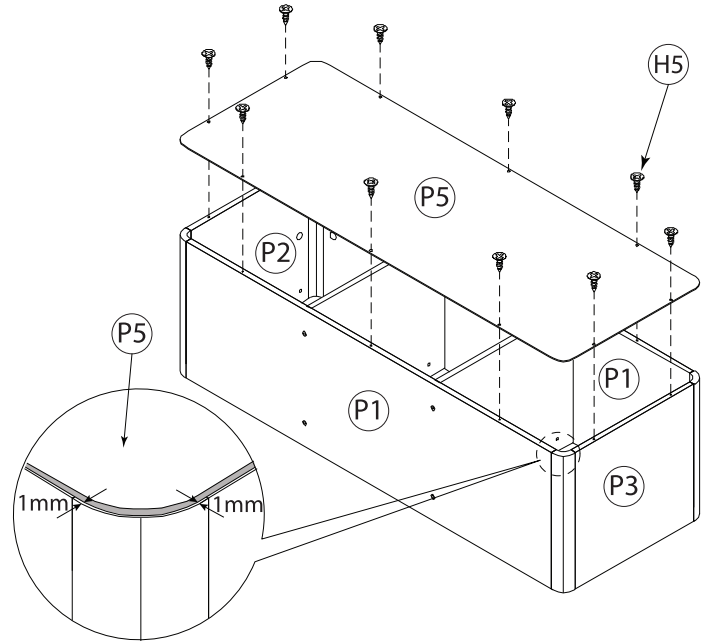
STEP 6



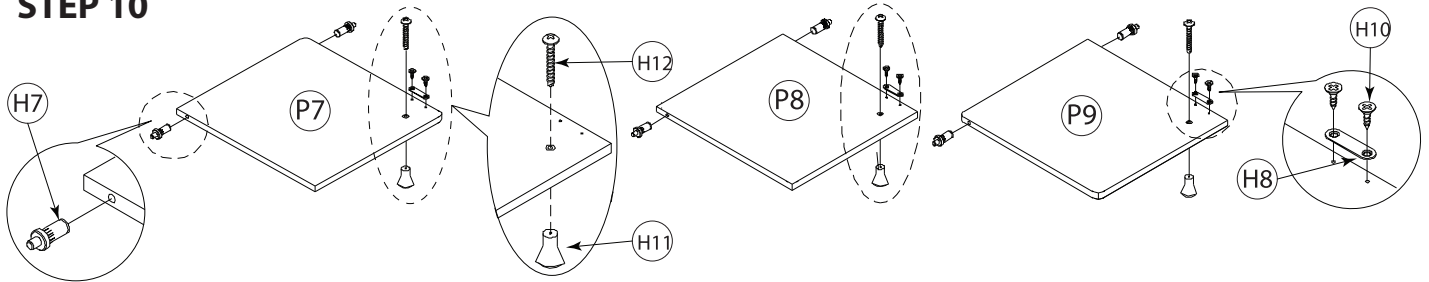
STEP 8 Align the Camlock (H3) & use a screwdriver to turn it to locked position when it is connected to the bolt.



STEP 9 Attach the Back Panel (P5) to the assembled parts, and align the Screw (H5) by using a household Philip Screwdriver to tighten the screws.



STEP 10

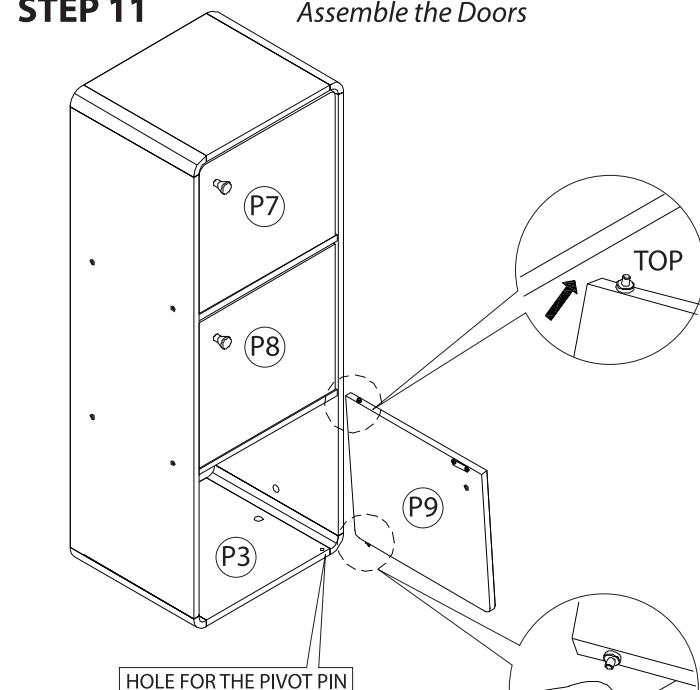


IMPORTANT!

ANCHOR THE UNIT TO THE WALL TO AVOID TIPPING.
PLACE THE HEAVIEST ITEMS IN THE LOWEST SHELVES.
NEVER ALLOW CHILDREN TO STAND OR CLIMB ON THE UNIT.

THE USE OF TIP-OVER RESTRAINTS MAY ONLY REDUCE, BUT NOT ELIMINATE, THE RISK OF TIP-OVER

STEP 11 Assemble the Doors



The Pivot Hinge's pin is retractable, align the pin to the holes in (P3), (P4) & (P2) so it will retract and slide into the hole respectively.

STEP 12 Install these Tip-Over Restraint fittings to avoid severe tip-overs of the unit.

