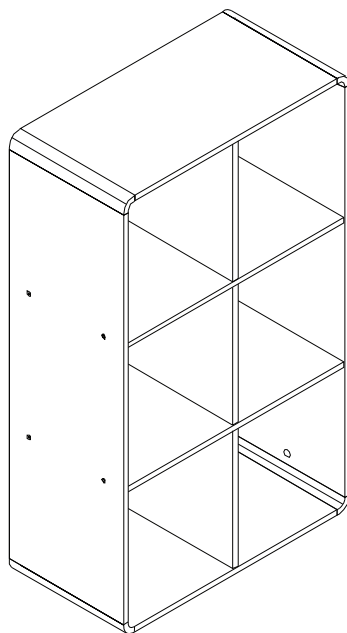


# ASSEMBLY INSTRUCTIONS

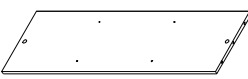
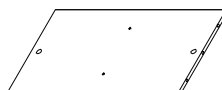
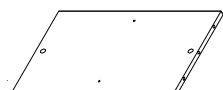
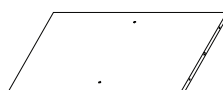
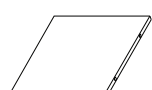
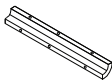
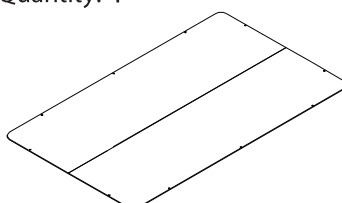
## MODEL #BK 1267: BOOKCASE



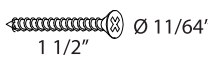


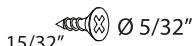

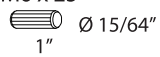


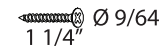

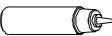

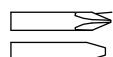
### NOTE TO CUSTOMERS:

- For ease and speed of assembly we recommend that before you commence each step of the assembly that you identify all the parts required to complete that step.
- We recommend that where possible you allow sufficient space to assemble the item as close as possible to the place where it will be once assembled.
- For the protection of your furniture we recommend that the product is placed on a dry, soft, smooth and clean surfaces during assembly to prevent any damage. Avoid damp and direct sunlight.
- During assembly do not over tighten the screws or bolts, as this may damage the product.
- Please ensure you retain all the product packaging until the item is completely assembled.
- Periodically check all fitting and re-tighten as necessary.
- Never allow any liquids to remain on your furniture as absorption can cause the wood to warp or finish to de-laminate.
- It is recommended that this item should be assembled by two adults.

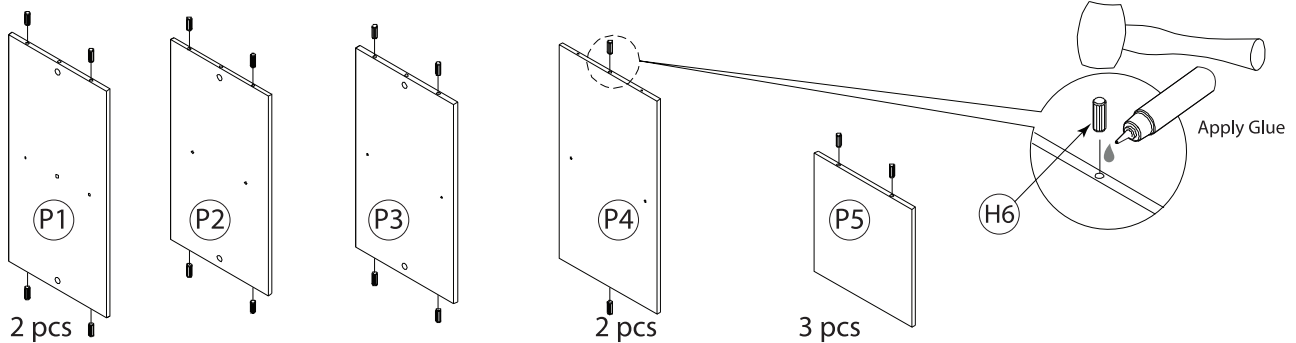
## PARTS IDENTIFICATION

<p>P1 Quantity: 2</p>  <p>Side Panel</p>	<p>P2 Quantity: 1</p>  <p>Top Panel</p>	<p>P3 Quantity: 1</p>  <p>Bottom Panel</p>	<p>P4 Quantity: 2</p>  <p>Shelve Panel</p>	<p>P5 Quantity: 3</p>  <p>Divider Panel</p>
<p>P6 Quantity: 4</p>  <p>Corner Connector</p>	<p>P7 Quantity: 1</p>  <p>Back Panel</p>			

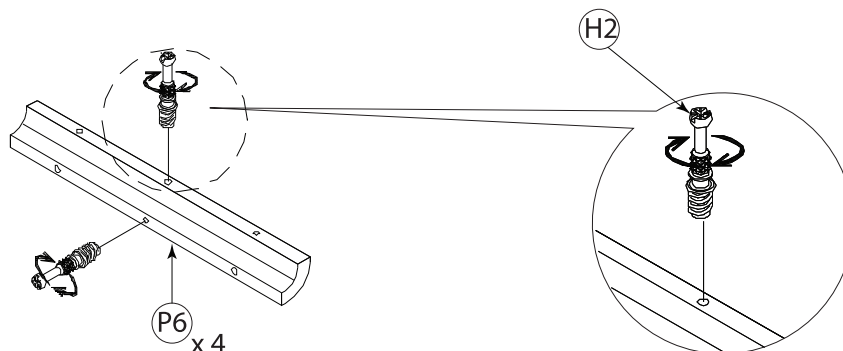
## HARDWARE LIST

<p>H1 Screw #9 x 1 1/2"</p>  <p>Quantity: 14 pcs.</p>	<p>H2 Connecting Bolts</p>  <p>Quantity: 8 pcs.</p>	<p>H3 Cam Lock 15 x 9.5mm</p>  <p>Quantity: 8 pcs.</p>	<p>H4 Screw M4 x 12.</p>  <p>Quantity: 10 pcs.</p>	<p>H5 Sticker</p>  <p>Quantity: 16 pcs.</p>
<p>H6 Wooden Dowel M6 x 25</p>  <p>Quantity: 26 pcs.</p>	<p>H7 Screw for anti-tip M3.5 x 16</p>  <p>Quantity: 1 pc</p>	<p>H8 Anti-tip web strip</p>  <p>Quantity: 1 pc</p>	<p>H9 Screw for mount to wall #6 x 1 1/4"</p>  <p>Quantity: 1 pc</p>	<p>H10 Wall plug for Screw H9</p>  <p>Quantity: 1 pc</p>
<p>Glue</p>  <p>Quantity: 2 tubes.</p>	<p>Tools required:</p>  Mallet  Household Screwdriver		<p><b>IMPORTANT NOTE:</b>          APPLYING A SUFFICIENT AMOUNT OF GLUE IS A MUST.          PUSH THE PARTS THAT CONNECTED WITH THE WOODEN DOWELS UNTIL THEY ARE SNUG AND FIT TIGHTLY.</p>	

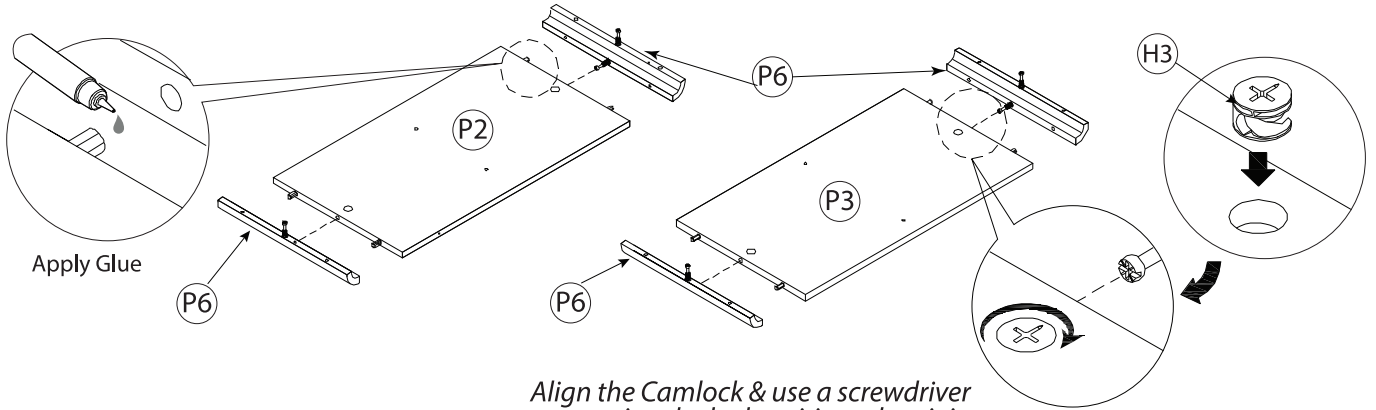
**STEP 1** Insert wooden dowels (H6) into the following parts, apply glue to the holes to add strength.



**STEP 2** Align the Connecting Bolt (H2), use a household Philip Screwdriver to drive the bolt until it is snug.

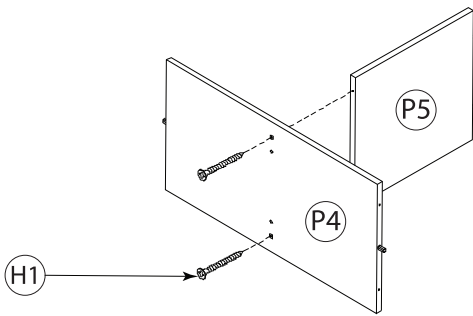


**STEP 3** Attach the Corner Connector (P6) to both ends of the Panel (P2) & (P3). Apply glue to the dowel to add strength, and push the parts until they are fit firmly.

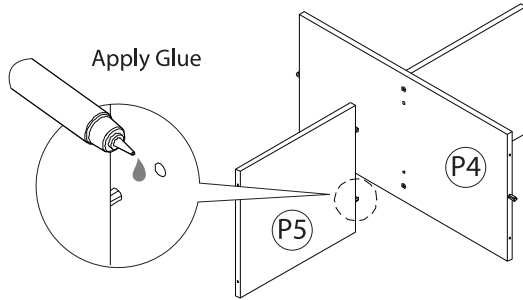


Align the Camlock & use a screwdriver to turn it to locked position when it is connected to the bolt.

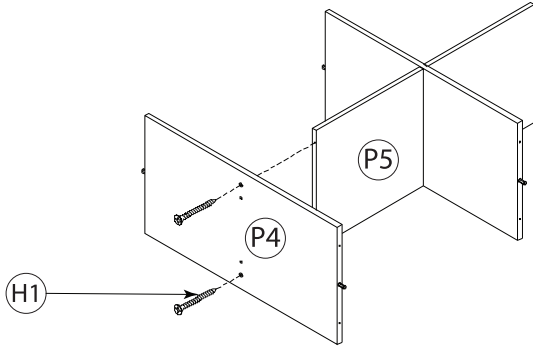
## STEP 4



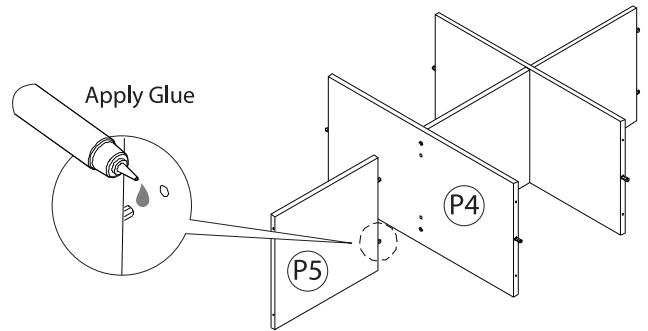
## STEP 5



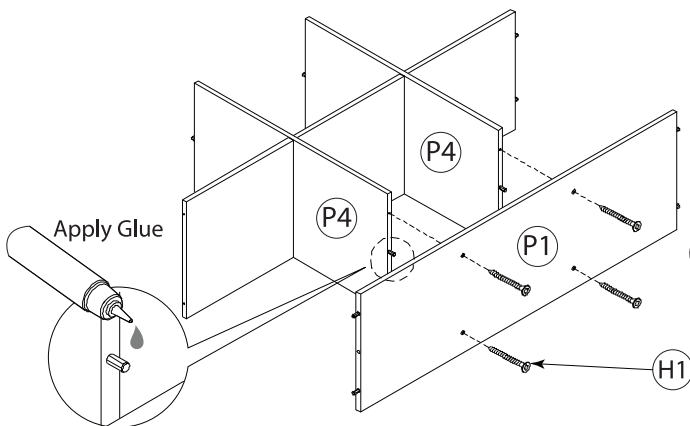
## STEP 6



## STEP 7



## STEP 8



## STEP 9

