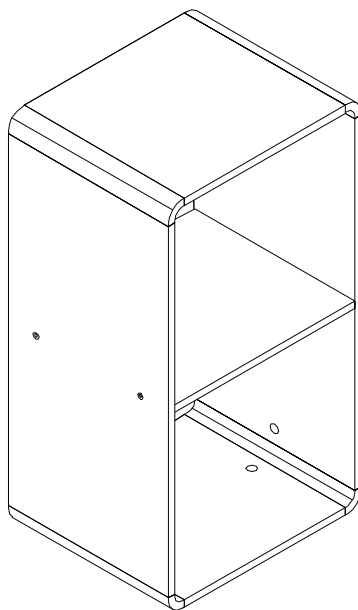


ASSEMBLY INSTRUCTIONS

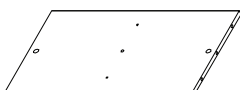
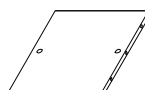


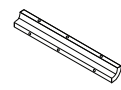
MODEL #BK 1264: BOOKCASE



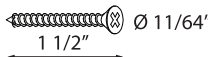


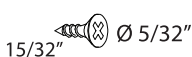

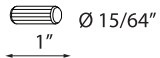


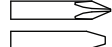
NOTE TO CUSTOMERS:

- For ease and speed of assembly we recommend that before you commence each step of the assembly that you identify all the parts required to complete that step.
- We recommend that where possible you allow sufficient space to assemble the item as close as possible to the place where it will be once assembled.
- For the protection of your furniture we recommend that the product is placed on a dry, soft, smooth and clean surfaces during assembly to prevent any damage. Avoid damp and direct sunlight.
- During assembly do not over tighten the screws or bolts, as this may damage the product.
- Please ensure you retain all the product packaging until the item is completely assembled.
- Periodically check all fitting and re-tighten as necessary.
- Never allow any liquids to remain on your furniture as absorption can cause the wood to warp or finish to de-laminate.
- It is recommended that this item should be assembled by two adults.

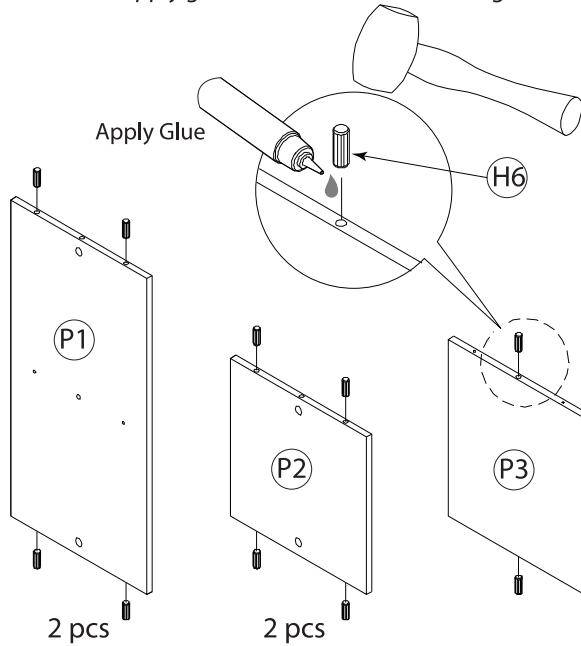
PARTS IDENTIFICATION

P1 Quantity: 2 	P2 Quantity: 2 	P3 Quantity: 1 	P4 Quantity: 1 	P5 Quantity: 4 
Side Panel	Top & Bottom Panel	Shelve Panel	Back Panel	Corner Connector

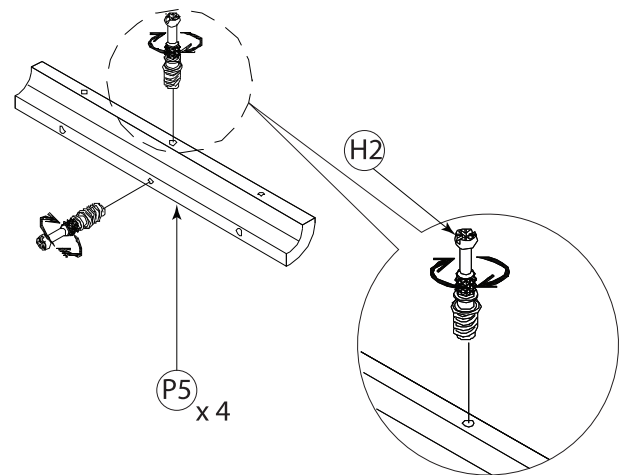
HARDWARE LIST

H1 Screw #9 x 1 1/2"  Quantity: 4 pcs	H2 Connecting Bolts  Quantity: 8 pcs.	H3 Cam Lock 15 x 9.5mm  Quantity: 8 pcs.	H4 Screw M4 x 12.  Quantity: 8 pcs.	H5 Sticker  Quantity: 12 pcs.
H6 Wooden Dowel M6 x 25  Quantity: 18 pcs.	Glue  Quantity: 1 tube.	Tools required:  MALLET  HOUSEHOLD SCREWDRIVER		

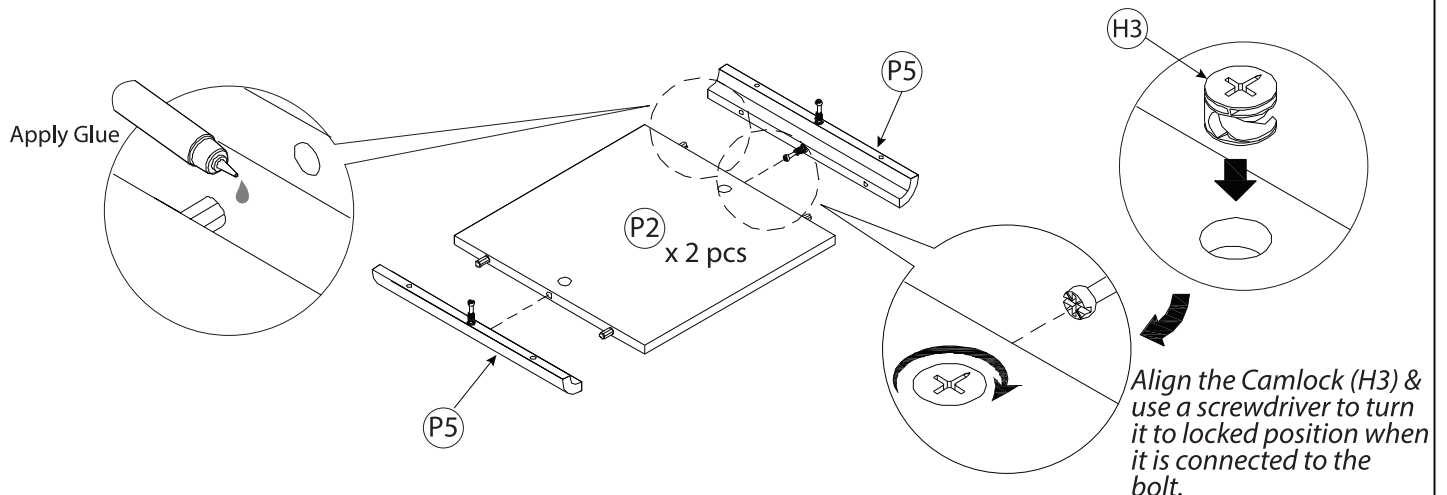
STEP 1 Insert wooden dowels (H6) into the following parts, apply glue to the holes to add strength.



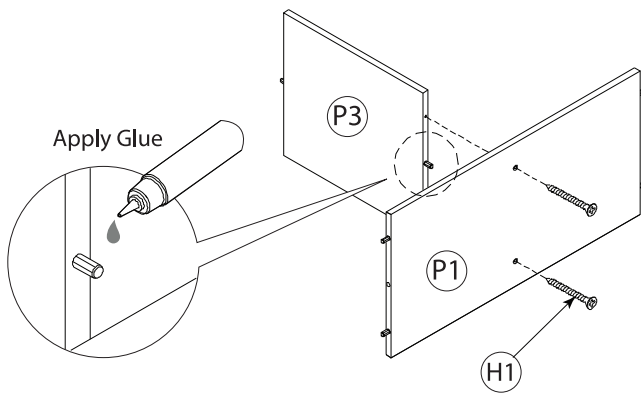
STEP 2 Align the Connecting Bolt (H2), use a household Philip Screwdriver to drive the bolt until it is snug.



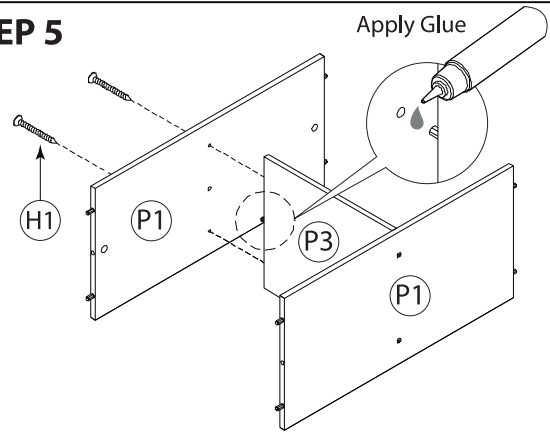
STEP 3 Attach the Corner Connector (P5) to both ends of the Panel (P2). Apply glue to the dowel to add strength, and push the parts until they are fit firmly.



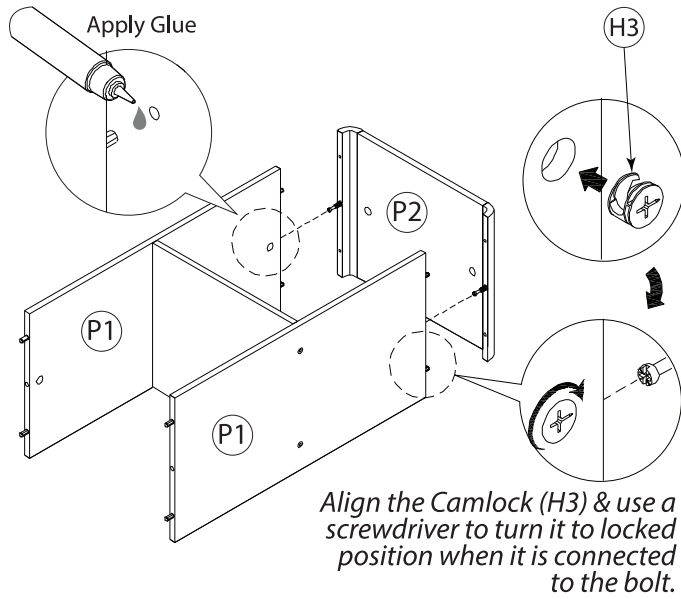
STEP 4



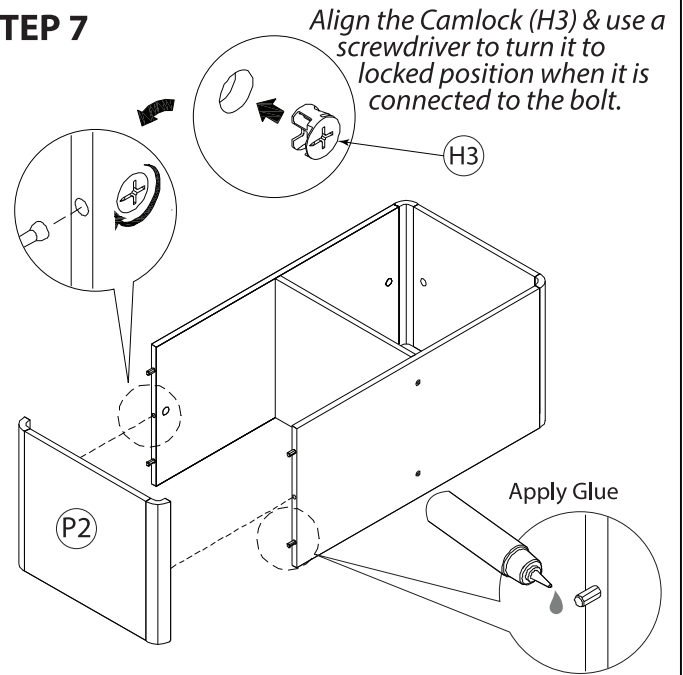
STEP 5



STEP 6



STEP 7

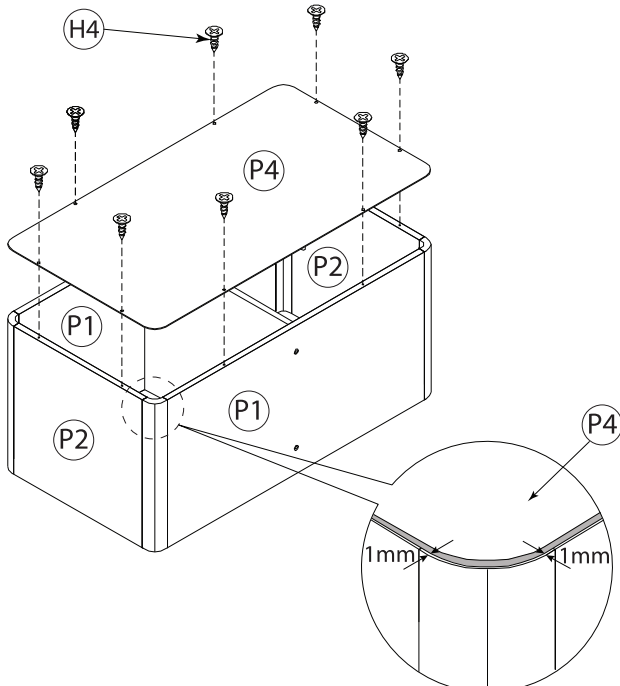


IMPORTANT NOTE:
APPLYING A SUFFICIENT AMOUNT OF GLUE IS A MUST.

PUSH THE PARTS THAT CONNECTED WITH THE WOODEN DOWELS UNTIL THEY ARE SNUG AND FIT TIGHTLY.

STEP 8

Attach the Back Panel (P4) to the assembled parts, and align the Screw (H4) by using a household Philip Screwdriver to tighten the screws.



STEP 9

Use the provided color stickers (H5) to cover the screw holes.

