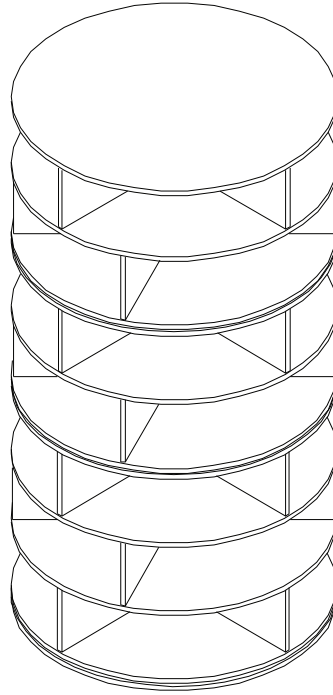


ASSEMBLY INSTRUCTIONS

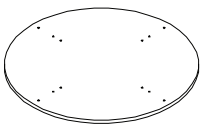
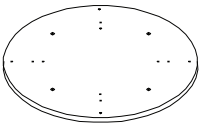
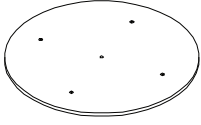
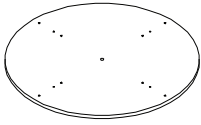
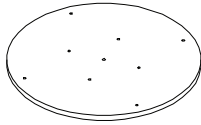
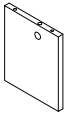
MODEL : #SR 6457 SHOE RACK



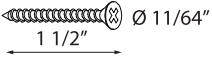
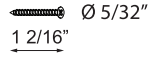
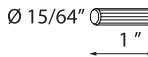



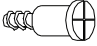


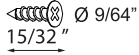
NOTE TO CUSTOMERS:

- For ease and speed of assembly we recommend that before you commence each step of the assembly that you identify all the parts required to complete that step.
- We recommend that where possible you allow sufficient space to assemble the item as close as possible to the place where it will be once assembled.
- For the protection of your furniture we recommend that the product is placed on a dry, soft, smooth and clean surfaces during assembly to prevent any damage. Avoid damp and direct sunlight.
- During assembly do not over tighten the screws or bolts, as this may damage the product.
- Please ensure you retain all the product packaging until the item is completely assembled.
- Periodically check all fitting and re-tighten as necessary.
- Never allow any liquids to remain on your furniture as absorption can cause the wood to warp or finish to de-laminate.
- It is recommended that this item should be assembled by two adults.

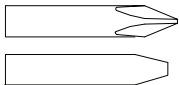
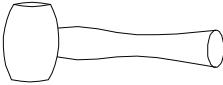
PARTS IDENTIFICATION

| | | | | |
|---|---|---|---|--|
| <p>P1 Quantity: 1</p>  <p>Top Panel</p> | <p>P2 Quantity: 4</p>  <p>Middle Panel</p> | <p>P3 Quantity: 3</p>  <p>Middle Lower Panel</p> | <p>P4 Quantity: 2</p>  <p>Swivel Middle Panel</p> | <p>P5 Quantity: 1</p>  <p>Bottom Base Panel</p> |
| <p>P6 Quantity: 28</p>  <p>Divider Panel</p> | | | | |

HARDWARE LIST

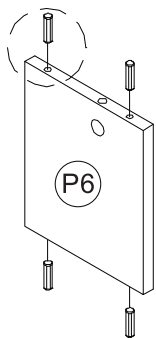
| | | | | |
|---|---|--|--|---|
| <p>H1 Screw #9 x 1 1/2"</p>  <p>Quantity: 28 pcs</p> | <p>H2 Screw m4 x 28mm</p>  <p>Quantity: 8 pcs</p> | <p>H3 Wooden Dowel m6x 25mm</p>  <p>Quantity: 112 pcs</p> | <p>H4 Connecting Bolts</p>  <p>Quantity: 28 pcs</p> | <p>H5 Cam Lock 15/9.5mm</p>  <p>Quantity: 28 pcs</p> |
| <p>H6 Sofa leg</p>  <p>Quantity: 8 pcs</p> | <p>H7 Pivot Bolt (For The Revolving Plate)</p>  <p>Quantity: 3 pcs</p> | <p>H8 Revolving Plate (Top)</p>  <p>Quantity: 3 pcs</p> | <p>H9 Revolving Plate (Bottom)</p>  <p>Quantity: 3 pcs</p> | <p>H10 Screw m3.5 x 12mm</p>  <p>Quantity: 12 pcs</p> |

TOOLS REQUIRED

| | |
|---|--|
|  <p>SCREW DRIVER</p> |  <p>MALLET</p> |
|---|--|

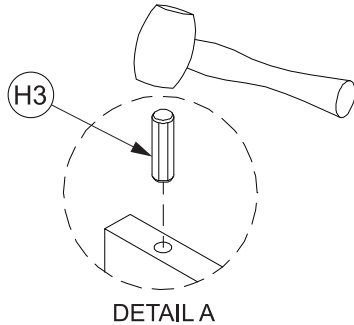
STEP 1

DETAIL A



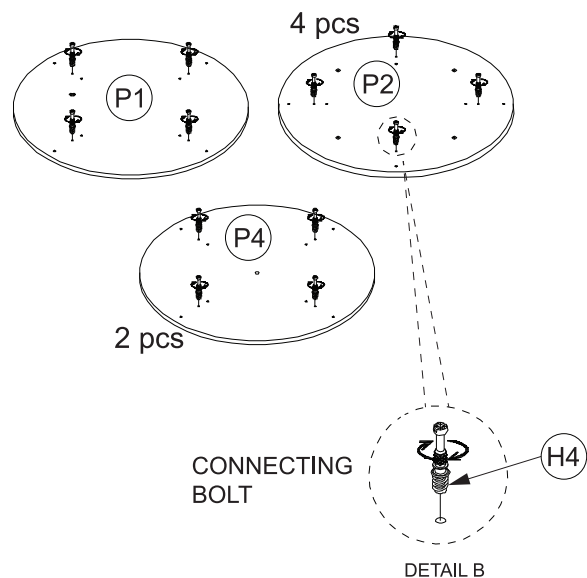
28 pcs

H3

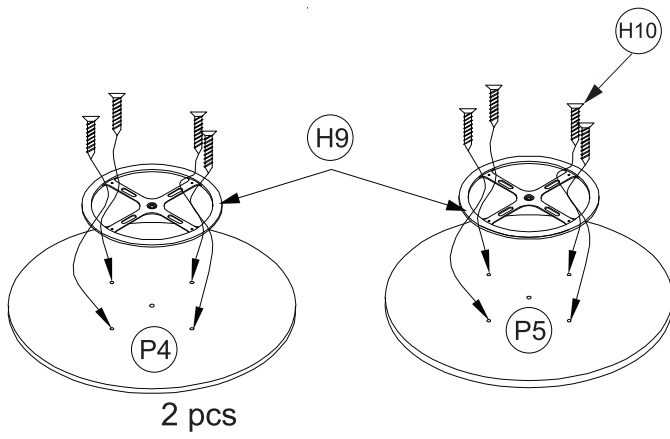


DETAIL A

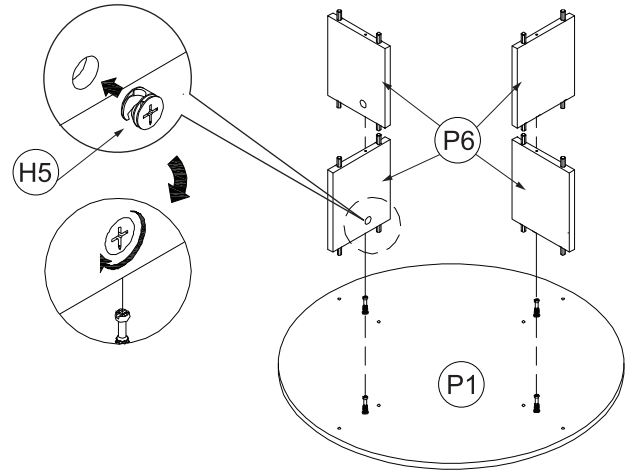
STEP 2



STEP 3

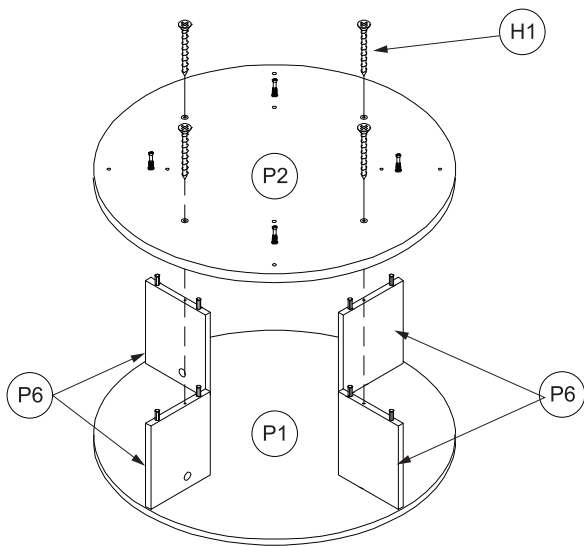


STEP 4

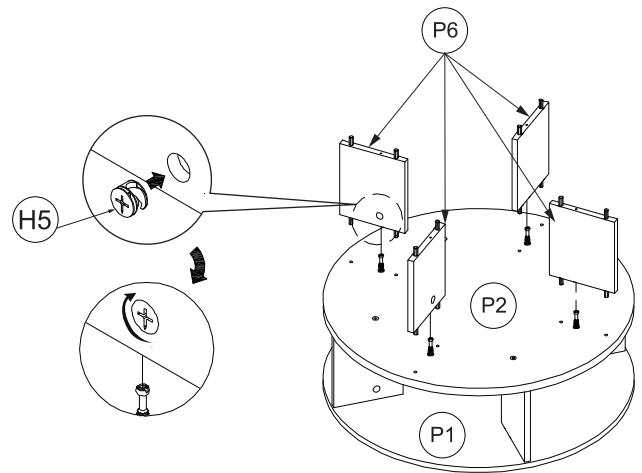


Align the Camlock & turn it to locked position when it is connected to the Blots.

STEP 5

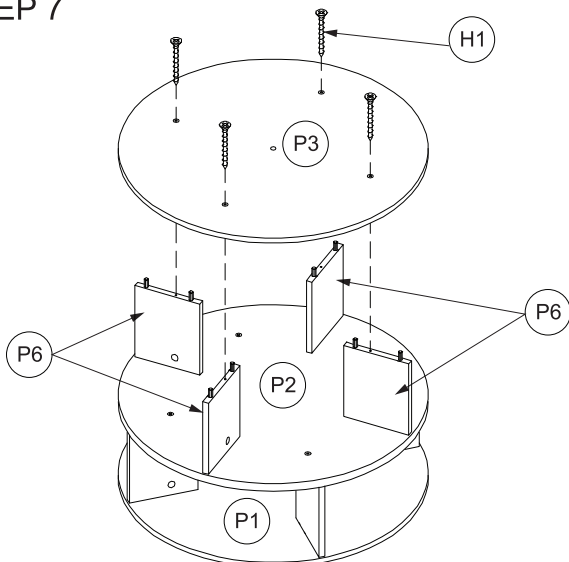


STEP 6

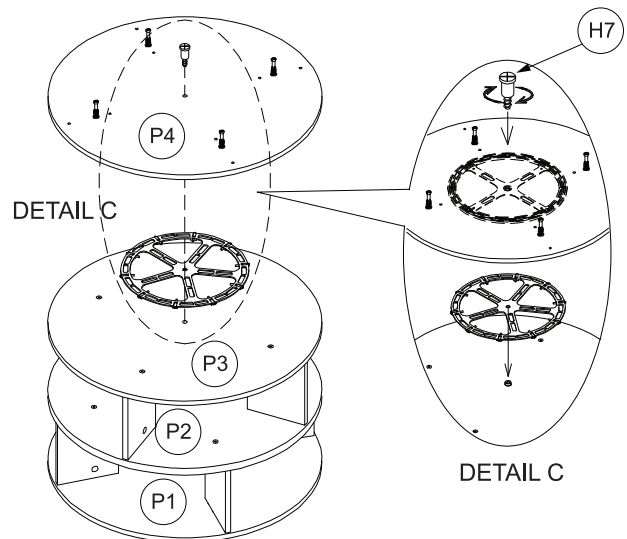


Align the Camlock & turn it to locked position when it is connected to the Blots.

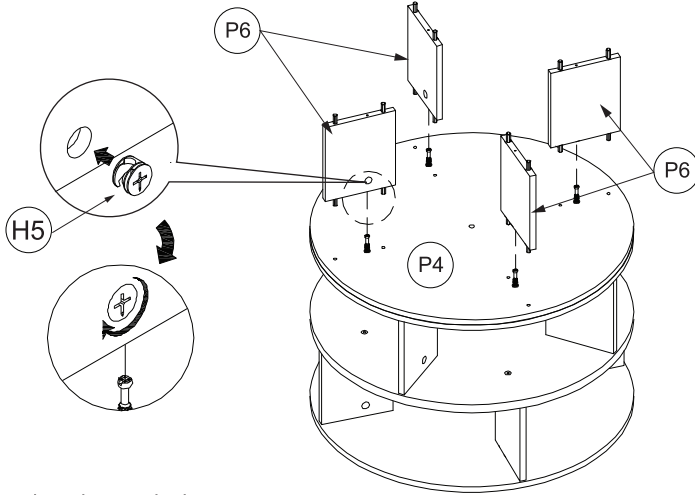
STEP 7



STEP 8

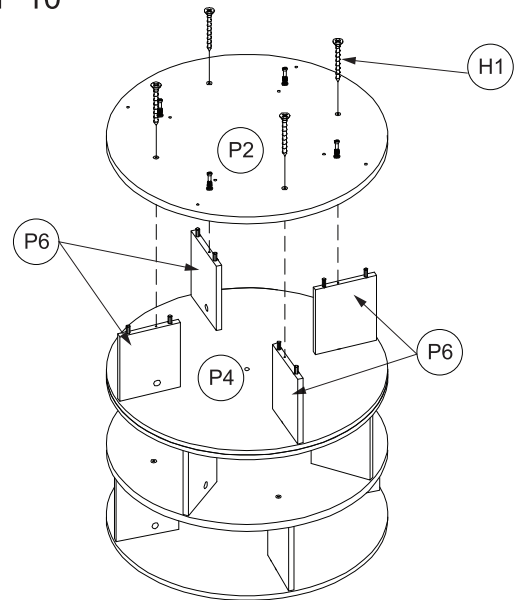


STEP 9

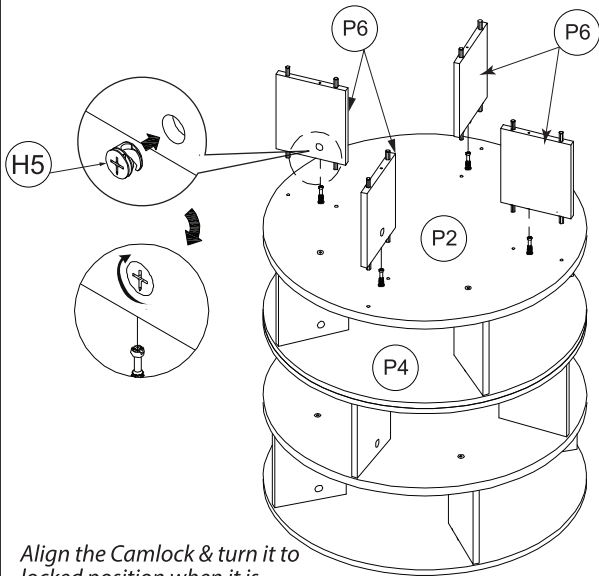


Align the Camlock & turn it to locked position when it is connected to the Blots.

STEP 10

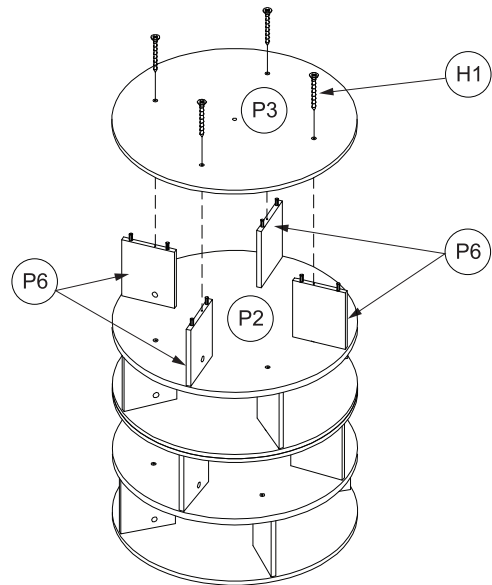


STEP 11

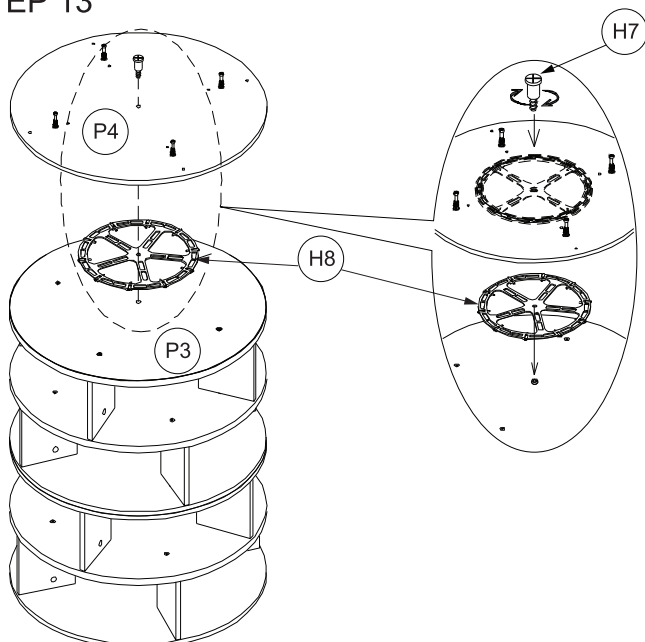


Align the Camlock & turn it to locked position when it is connected to the Blots.

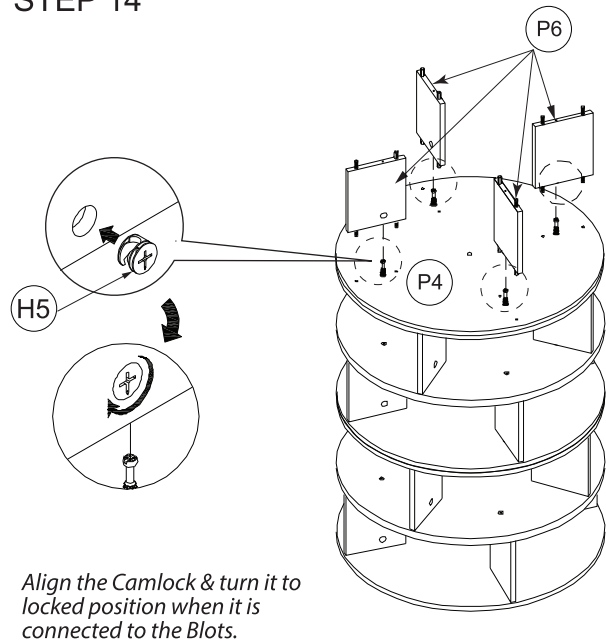
STEP 12



STEP 13

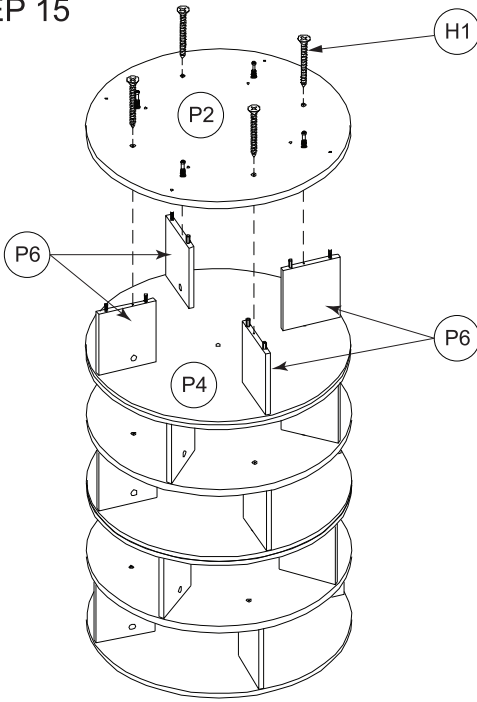


STEP 14

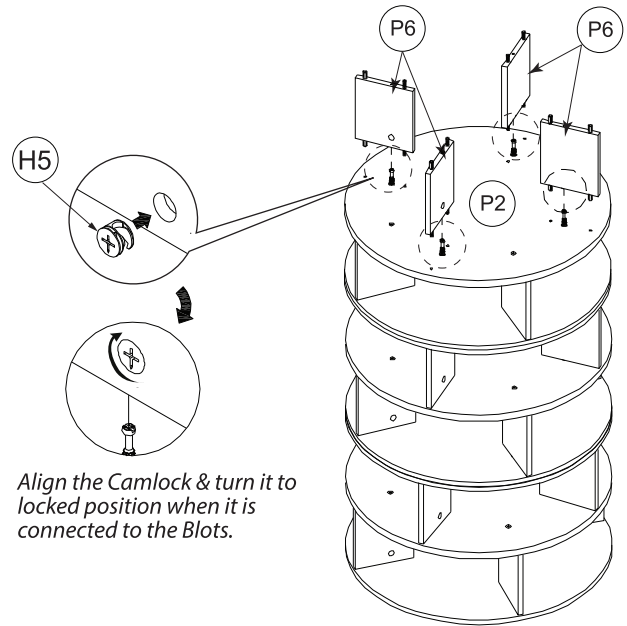


Align the Camlock & turn it to locked position when it is connected to the Blots.

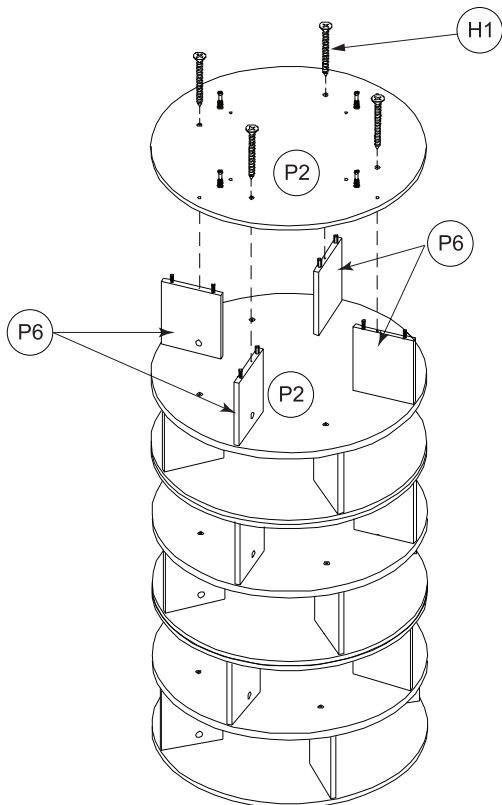
STEP 15



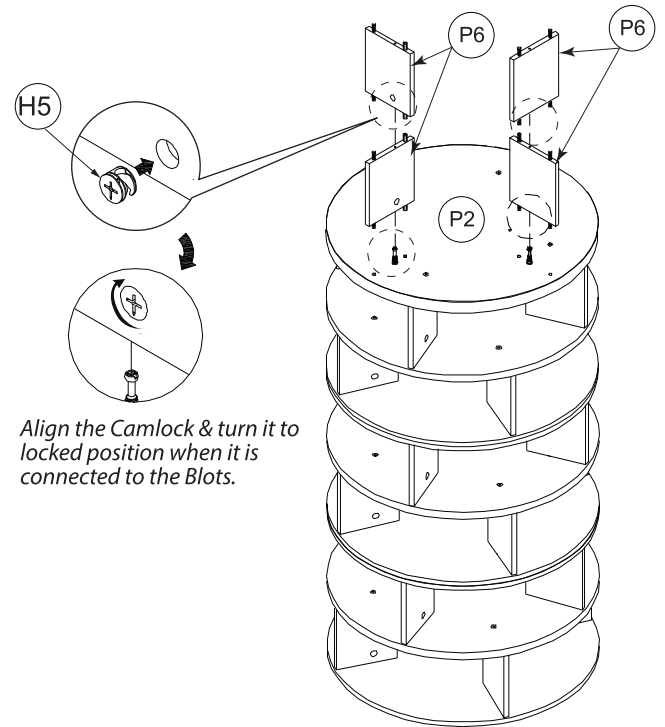
STEP 16



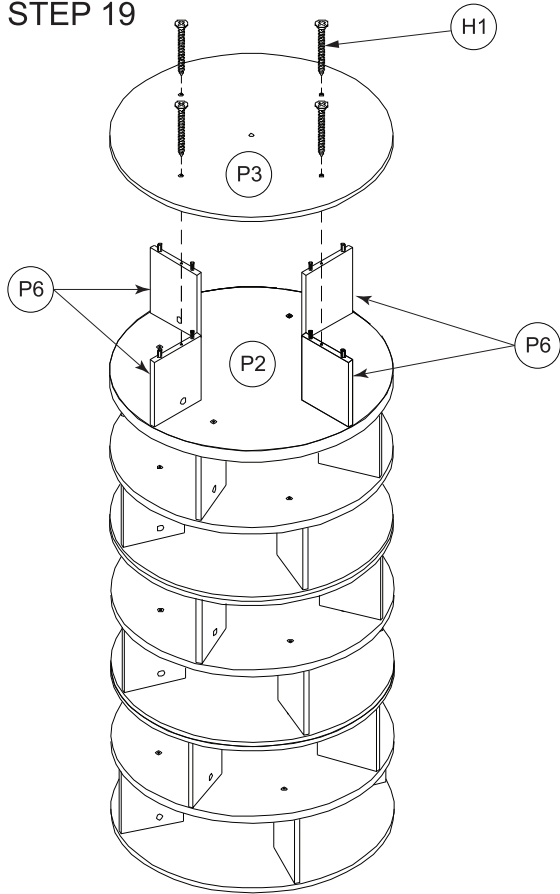
STEP 17



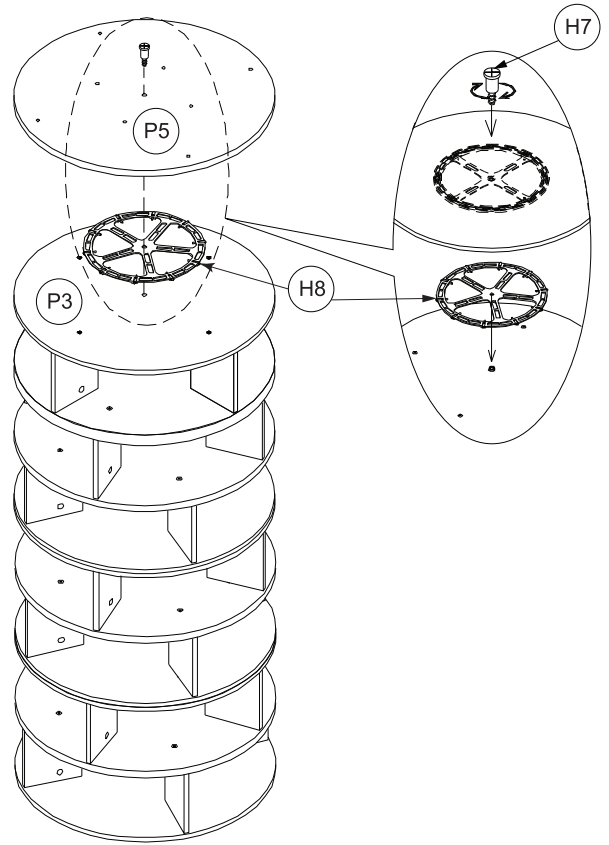
STEP 18



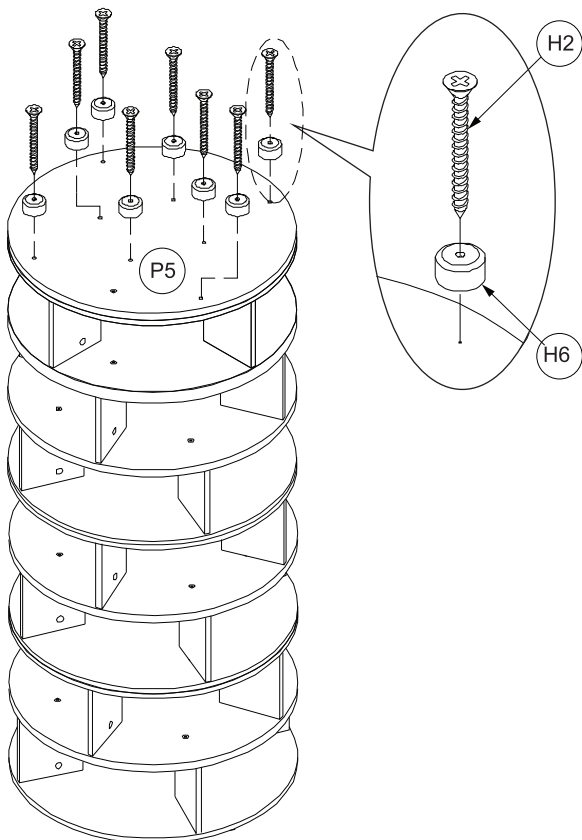
STEP 19



STEP 20



STEP 21



STEP 22

Turn the item upright, and it is ready to use.

