

ASSEMBLY INSTRUCTIONS

MODEL :0286A
QUEEN (5+5+5)

(Box 1)
BOX OF HEADBOARD & FOOTBOARD

No	ITEM	Qty
A	Headboard	1 pc
B	Footboard	1 pc
C	Headboard Leg (L/R)	2 pcs

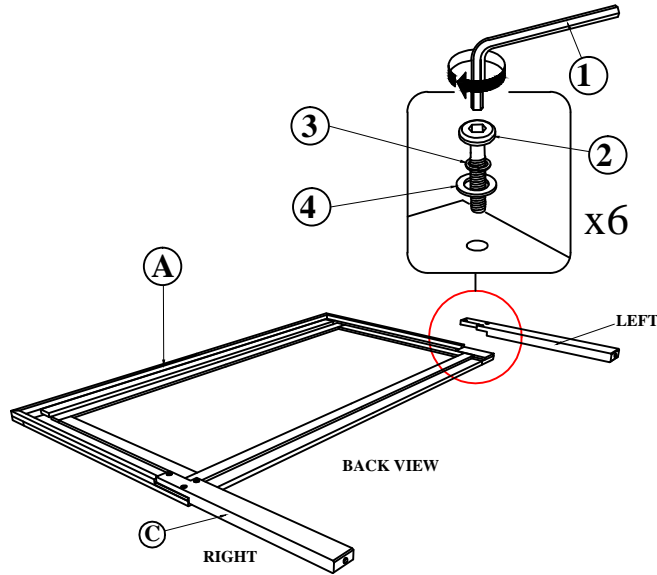
(Box 2)
BOX OF SIDE RAIL

No	ITEM	Qty
D	Side Rail	2 pcs
E	Slat With Stopper	2 pcs
F	Slat W/o Stopper	3 pcs
G	Slat Support (M6x18mm E-Nut.x2)	5 pcs
H	Concealed Panel	5 pcs

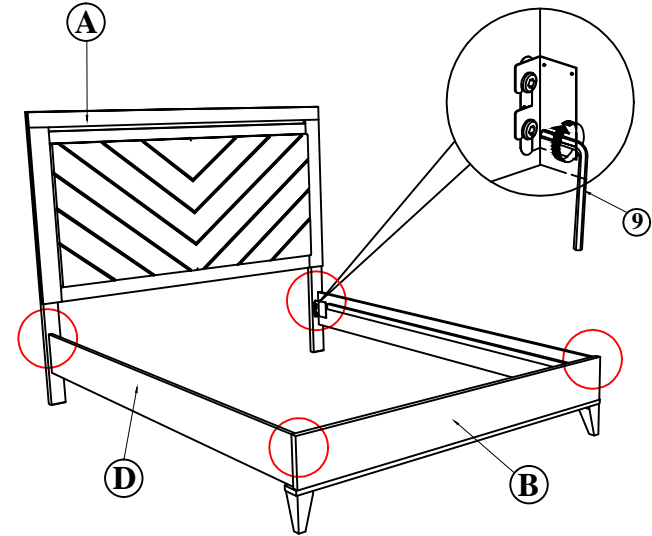
(Box 1)
HARDWARE LIST

No	ITEM	Qty
1	ALLEN KEY m4x65mm Blk	1 pc
2	JCBC M6 x 35mm	6 pcs
3	SPRING WASHER 1/4" Rbw	6 pcs
4	Flat Washer 1/4"ID x 13mmOD Blk	6 pcs

STEP 1 : Attach Head Board Leg (C) to Head Board (A) as shown using JCBC BOLT (2)with Spring Washer (3), Flat washer (4) and securing with ALLEN KEY (1) .



STEP 2 : Hook SIDE RAIL (D) TO HEAD BOARD (A) closely and push down to fit. repeat step 2 with other end of rail to hook onto FOOTBOARD (B).

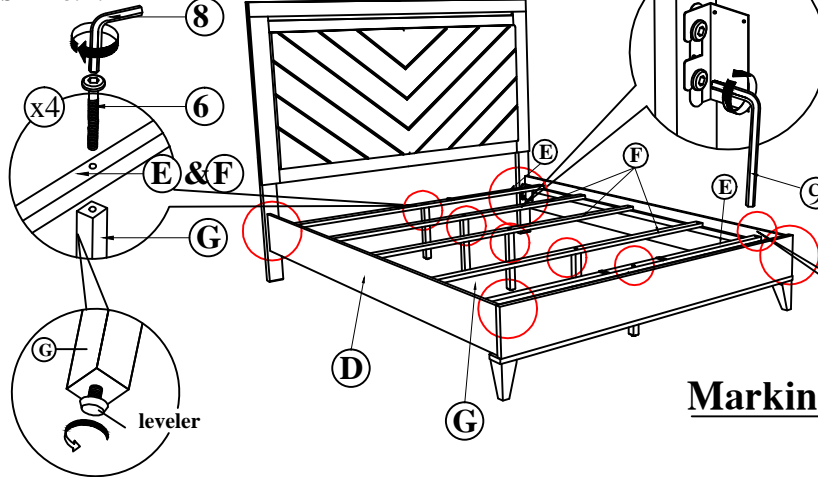


STEP 3 : Tighten the 4 Corner with Allen Key (9). Fix the Bed Slat Support Leg (G), to Bed Slat (E) & (F) using JCBC (6) as shown . Install the bed slat to side rail (D) and tighten with Csk Screw (5) as per diagram shown. (NOTE: THE SETUP MUST DONE AT THE DECIDED LOCATION FOR THE BED TO OBTAIN PERFECT STABILITY)

(Box 2)
HARDWARE LIST

No	ITEM	Qty
5	Csk M4 x 32mm	10 pcs
6	JCBC M6 x 50mm	5 pcs
7	Pan Head Chipboard Screw m3.5x20mm	25 pcs
8	ALLEN KEY m4x65mm Blk	1 pc
9	ALLEN KEY m5x65mm Blk	1 pc

STEP 3.2 :

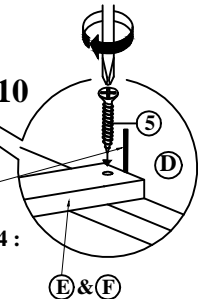


STEP 3.1 :

Push the side rail (D) meet with wooden slat (E) & (F) by follow the marking line provided and fix the CSK screw (5) by using the Screw Driver.

Marking Line

STEP 3.4 :

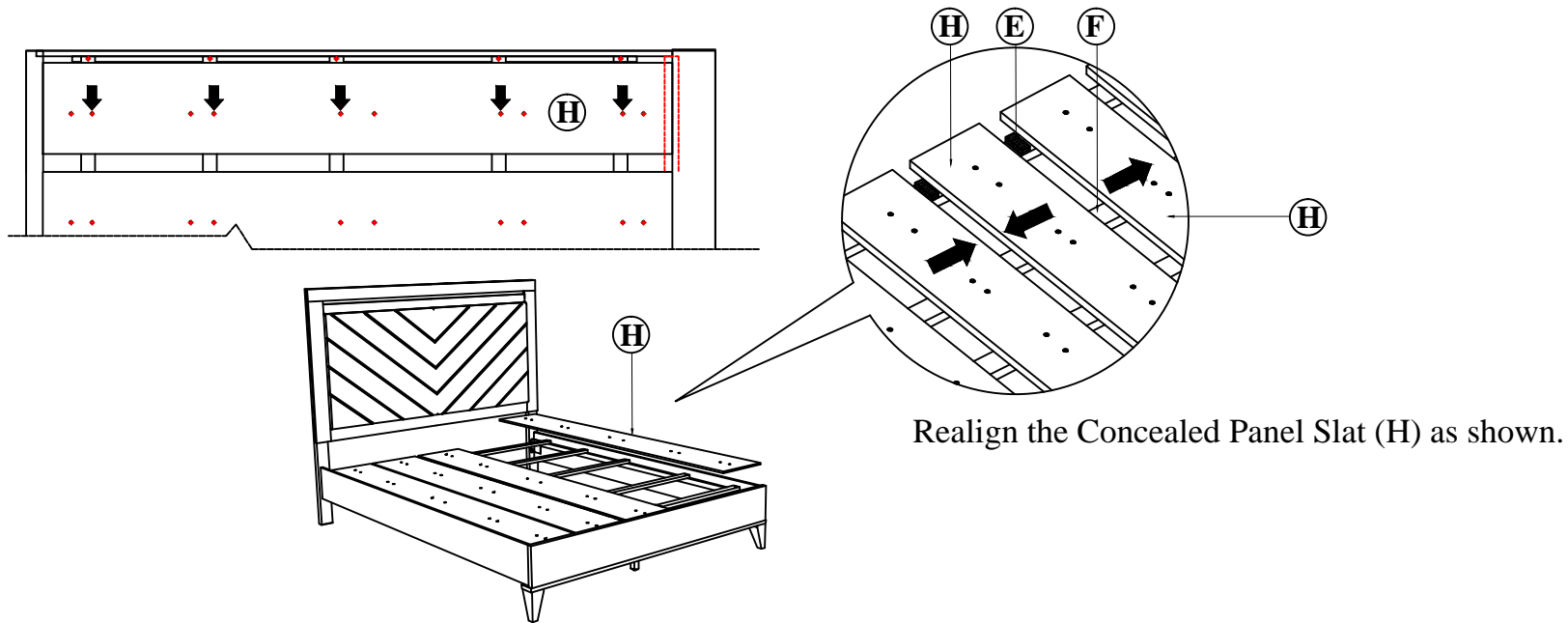


NOTE : MUST TIGHTEN SCREWS PERIODCALLY WITH USE SCREW WILL BECOME LOOSE CHECK TIGHTNESS OF ALL SCREW EVERY 6-8 WEEKS.

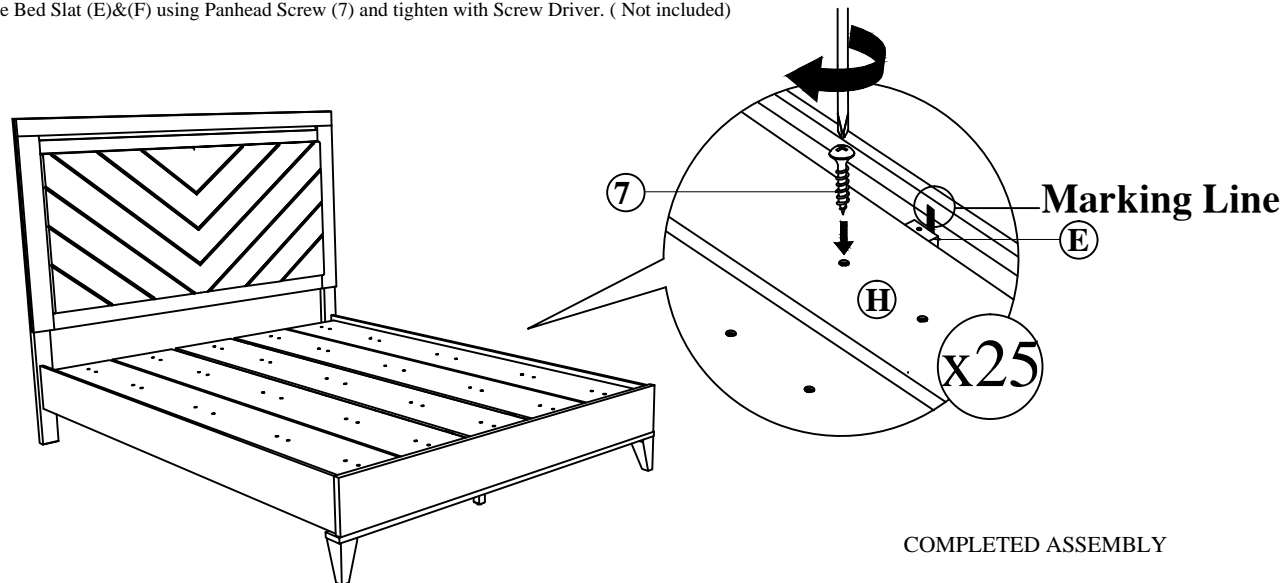
PAGE 1 OF 2

ASSEMBLY INSTRUCTIONS

STEP 4 : Attention! Screw on this markings on concealed panel slat (H).



STEP 4 : Attach Concealed Panel (H) over the Bed Slat (E)&(F) using Panhead Screw (7) and tighten with Screw Driver. (Not included)



NOTE : MUST TIGHTEN SCREWS PERIODCALLY WITH USE SCREW WILL BECOME LOOSE CHECK TIGHTNESS OF ALL SCREW EVERY 6-8 WEEKS.

PAGE 2 OF 2