







# ASSEMBLY INSTRUCTIONS

**MODEL : 0286A  
NIGHT STAND**

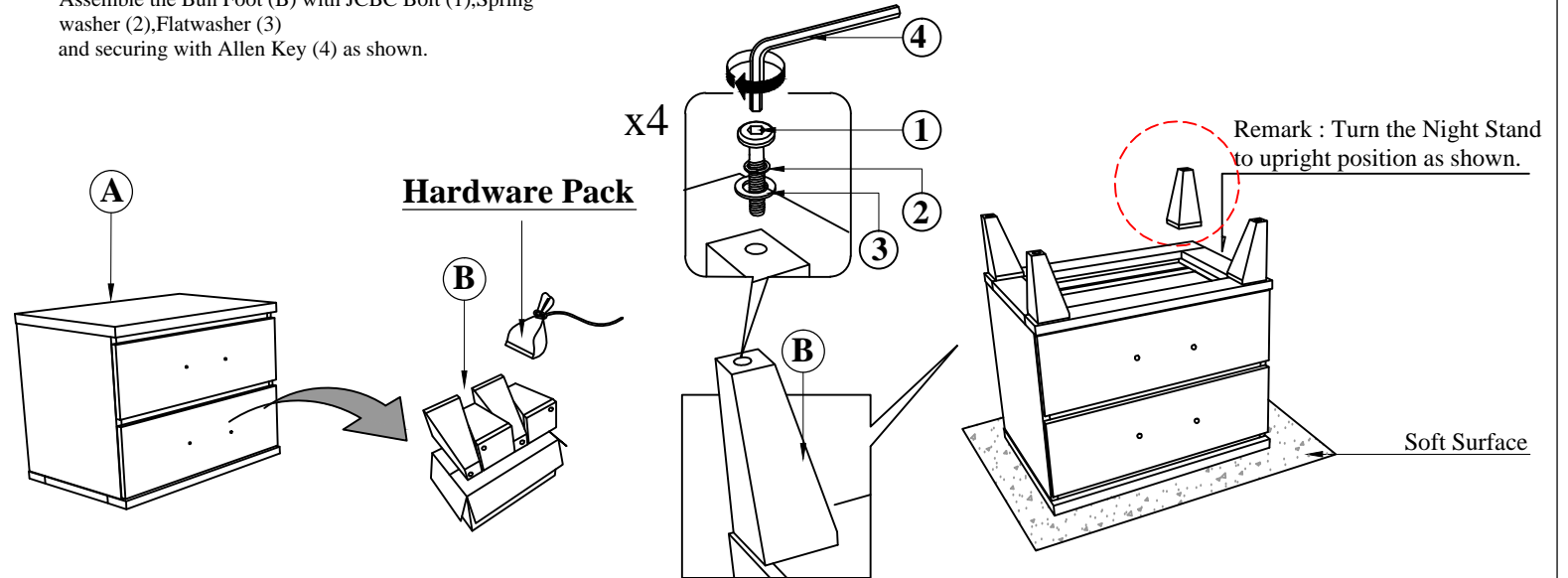
**(BOX 1)  
BOX OF NIGHT STAND**

NO	ITEM	QTY
A	NIGHT STAND 	1 pc
B	BUN FOOT 	4 pcs

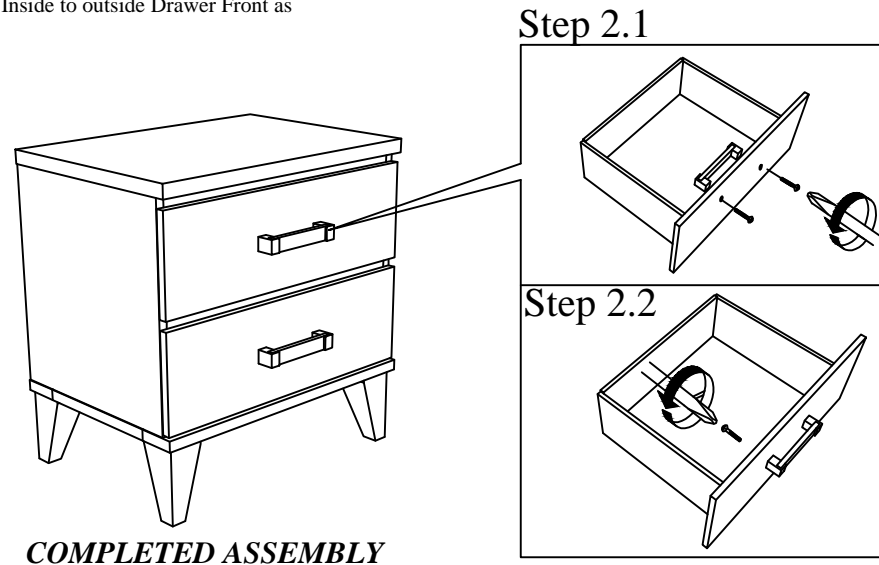
**(BOX 1)  
HARDWARE LIST**

NO	ITEM	QTY
1	JCBC Bolt m6x100mm Blk 	4 pcs
2	Spring Washer 1/4" Blk 	4 pcs
3	Flat Washer 1/4"IDx13mmOD Blk 	4 pcs
4	Allen Key m-4x110mm With Ball Blk 	1 pc

**STEP 1 :** Pull the bottom drawer and take out the Bunfoot carton ( B ).  
Assemble the Bun Foot (B) with JCBC Bolt (1), Spring washer (2), Flatwasher (3) and securing with Allen Key (4) as shown.



**STEP 2 :** Reinstall the Handle from Inside to outside Drawer Front as shown.



**COMPLETED ASSEMBLY**

**NOTE :** MUST TIGHTEN SCREWS **PERIODICALLY** WITH USE SCREW WILL BECOME LOOSE CHECK TIGHTNESS OF ALL SCREW EVERY 6-8 WEEKS.