

ASSEMBLY INSTRUCTIONS

MODEL :0286A
EASTERN KING (5+6+10)

(Box 1)
BOX OF HEADBOARD & FOOTBOARD

| No | ITEM | Qty |
|----|---------------------|-------|
| A | Headboard | 1 pc |
| B | Footboard | 1 pc |
| C | Headboard Leg (L/R) | 2 pcs |

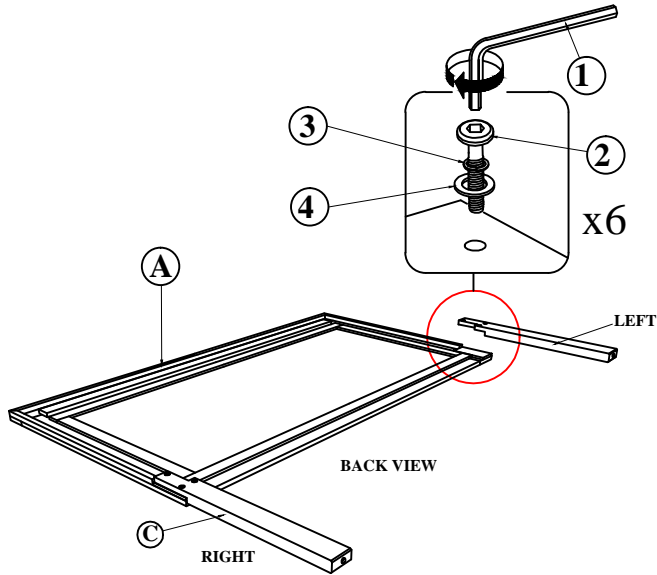
(Box 2)
BOX OF SIDE RAIL

| No | ITEM | Qty |
|----|---------------------------------|--------|
| D | Side Rail | 2 pcs |
| E | Slat With Stopper | 2 pcs |
| F | Slat W/o Stopper | 3 pcs |
| G | Slat Support (M6x18mm E-Nut.x2) | 10 pcs |
| H | Concealed Panel | 6 pcs |

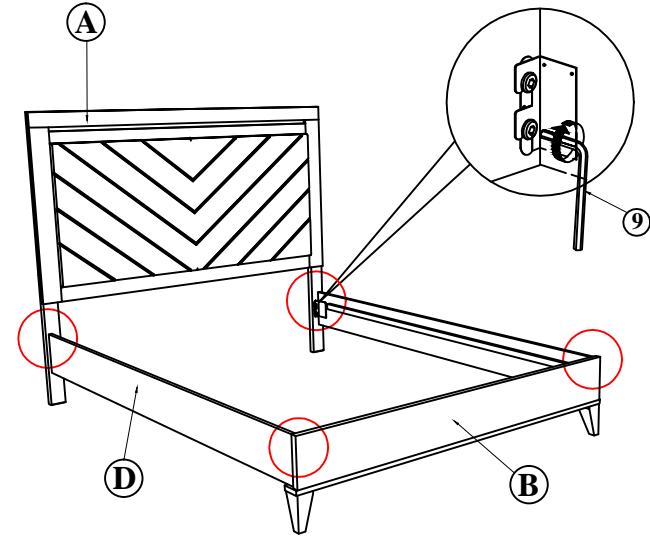
(Box 1)
HARDWARE LIST

| No | ITEM | Qty |
|----|------------------------------------|-------|
| 1 | ALLEN KEY m4x65mm Blk | 1 pc |
| 2 | JCBC M6 x 35mm | 6 pcs |
| 3 | SPRING WASHER 1/4" Rbw | 6 pcs |
| 4 | Flat Washer 1/4"ID x 13mmOD Blk | 6 pcs |

STEP 1 : Attach Head Board Leg (C) to Head Board (A) as shown using JCBC BOLT (2)with Spring Washer (3), Flat washer (4) and securing with ALLEN KEY (1) .



STEP 2 : Hook SIDE RAIL (D) TO HEAD BOARD (A) closely and push down to fit. repeat step 2 with other end of rail to hook onto FOOTBOARD (B).

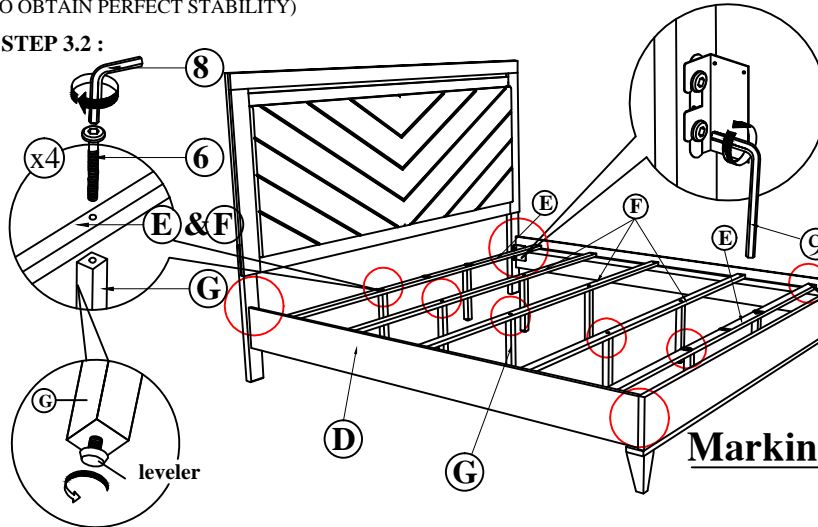


STEP 3 : Tighten the 4 Corner with Allen Key (9). Fix the Bed Slat Support Leg (G), to Bed Slat (E)&(F) using JCBC (6) as shown . Install the bed slat to side rail (D) and tighten with Csk Screw (5) as per diagram shown. (NOTE: THE SETUP MUST BE DONE AT THE DECIDED LOCATION FOR THE BED TO OBTAIN PERFECT STABILITY)

(Box 2)
HARDWARE LIST

| No | ITEM | Qty |
|----|---------------------------------------|--------|
| 5 | Csk M4 x 32mm | 10 pcs |
| 6 | JCBC M6 x 50mm | 10 pcs |
| 7 | Pan Head Chipboard Screw m3.5x20mm | 30 pcs |
| 8 | ALLEN KEY m4x65mm Blk | 1 pc |
| 9 | ALLEN KEY m5x65mm Blk | 1 pc |

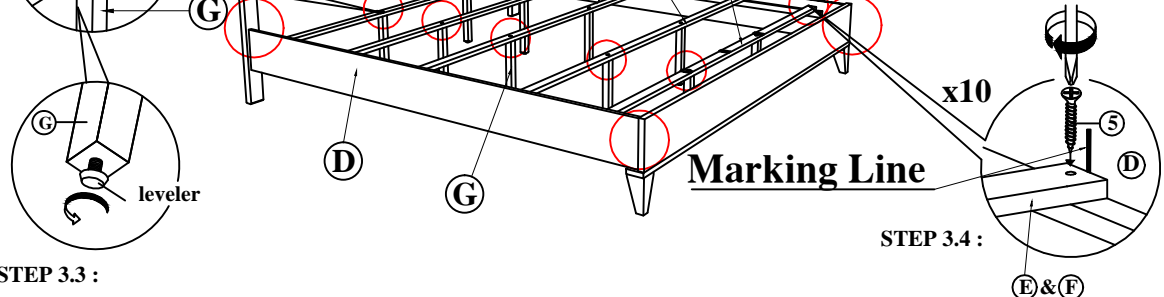
STEP 3.2 :



STEP 3.1 :

Push the side rail (D) meet with wooden slat (E)&(F) by follow the marking line provided and fix the CSK screw (5) by using the Screw Driver.

STEP 3.3 :

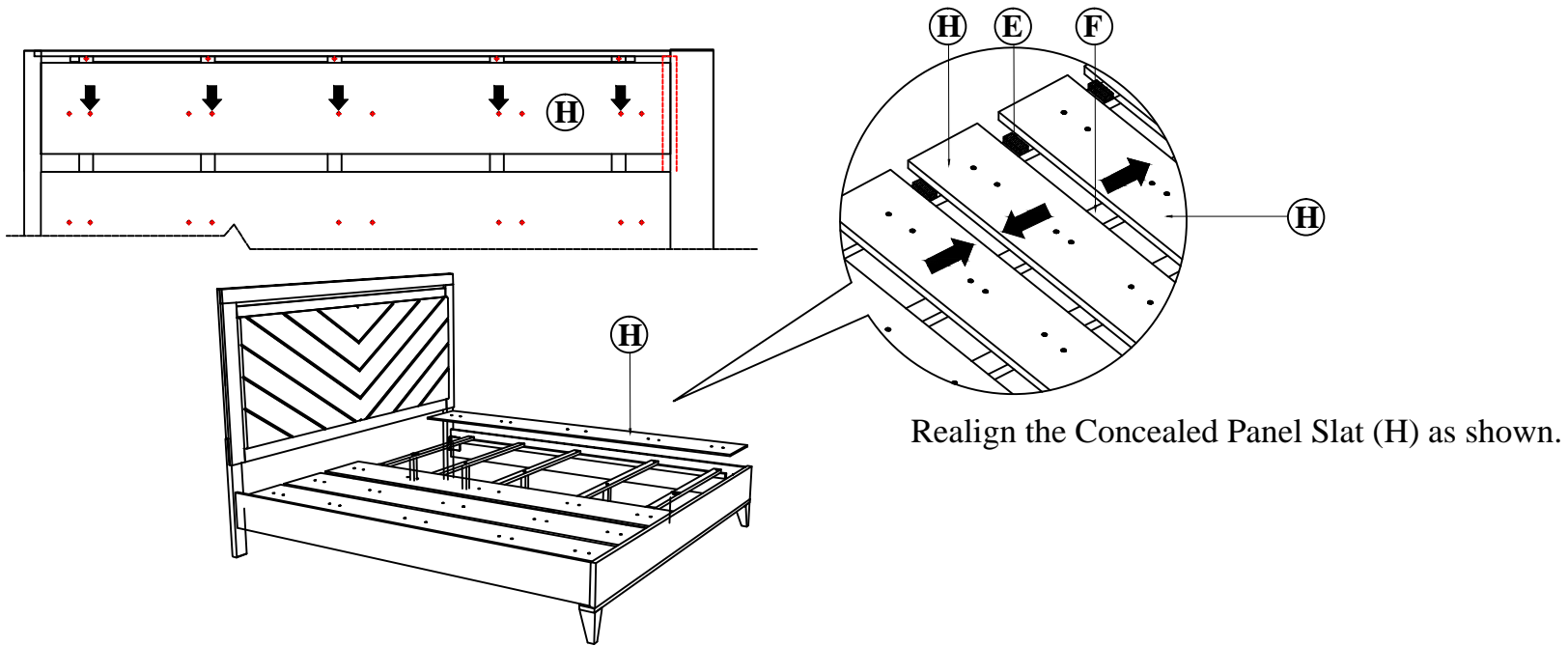


NOTE : MUST TIGHTEN SCREWS PERIODCALLY WITH USE SCREW WILL BECOME LOOSE CHECK TIGHTNESS OF ALL SCREW EVERY 6-8 WEEKS.

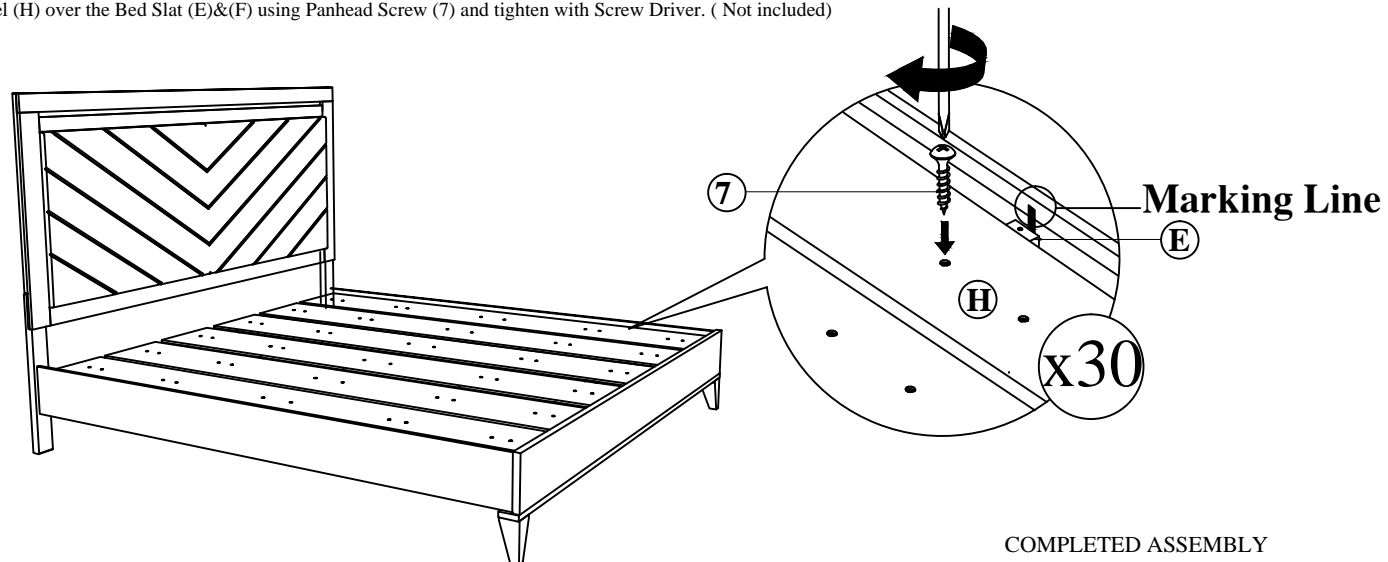
PAGE 1 OF 2

ASSEMBLY INSTRUCTIONS

STEP 4 : Attention! Screw on this markings on concealed panel slat (H).



STEP 4 : Attach Concealed Panel (H) over the Bed Slat (E)&(F) using Panhead Screw (7) and tighten with Screw Driver. (Not included)



NOTE : MUST TIGHTEN SCREWS PERIODCALLY WITH USE SCREW WILL BECOME LOOSE CHECK TIGHTNESS OF ALL SCREW EVERY 6-8 WEEKS.

PAGE 2 OF 2