

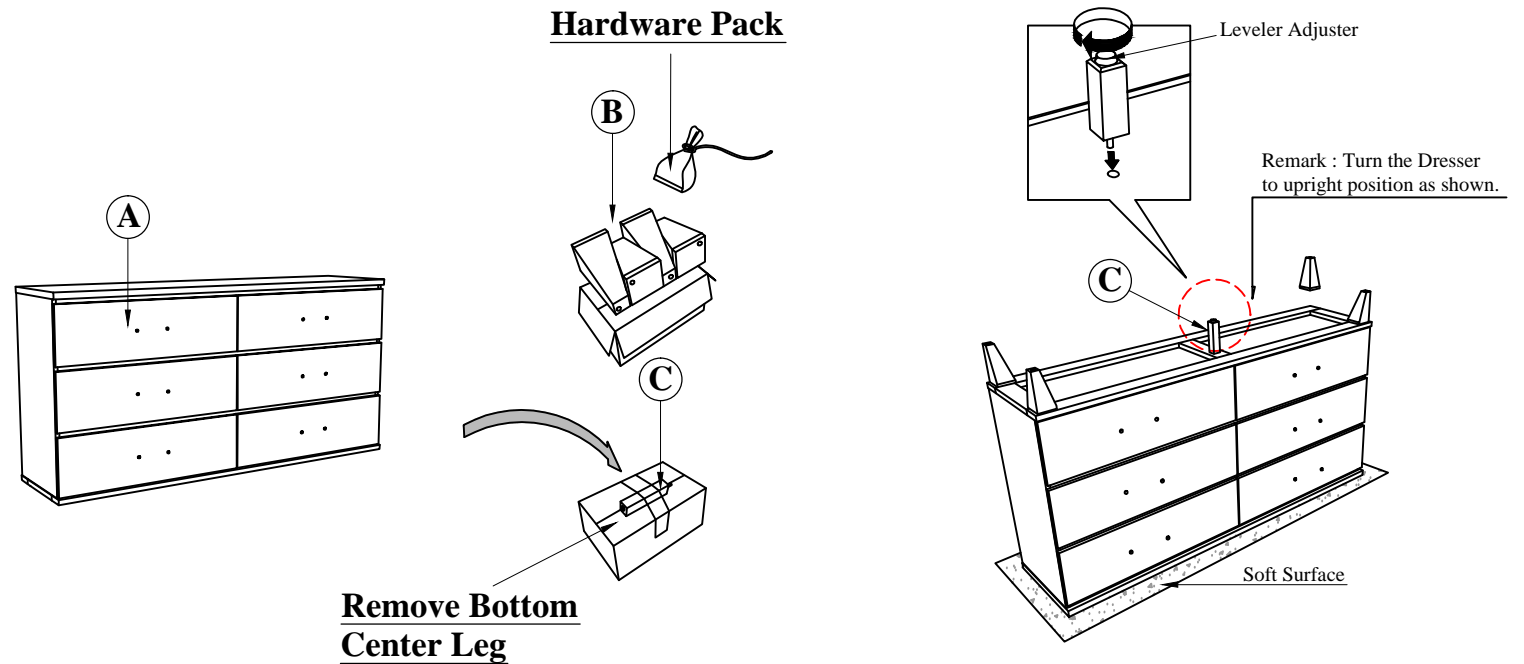
# ASSEMBLY INSTRUCTIONS

**MODEL : 0286A  
DRESSER**

**(BOX 1)  
BOX OF DRESSER**

NO	ITEM	QTY
A	DRESSER	1 pc
B	BUN FOOT	4 pcs
C	BOTTOM CENTER LEG (30 x 30 x 125MM)	1 pc

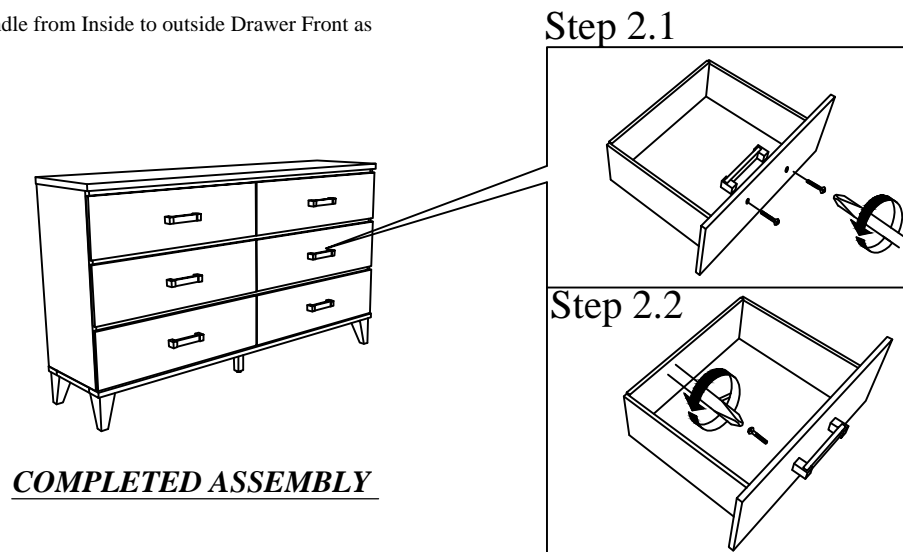
**STEP 1 :** Pull the bottom drawer and take out the Bunfoot carton ( B ). Assemble the Bun Foot (B) with JCBC Bolt (1),Spring washer (2),Flatwasher (3) and securing with Allen Key (4) as shown.



**(BOX 1)  
HARDWARE LIST**

NO	ITEM	QTY
1	JCBC Bolt m6x100mm Blk	4 pcs
2	Spring Washer 1/4" Blk	4 pcs
3	Flat Washer 1/4"IDx13mmOD Blk	4 pcs
4	Allen Key m4x110mm With Ball Blk	1 pc

**STEP 2 :** Reinstall the Handle from Inside to outside Drawer Front as shown.



**NOTE :** MUST TIGHTEN SCREWS **PERIODICALLY** WITH USE SCREW WILL BECOME LOOSE CHECK TIGHTNESS OF ALL SCREW EVERY 6-8 WEEKS.