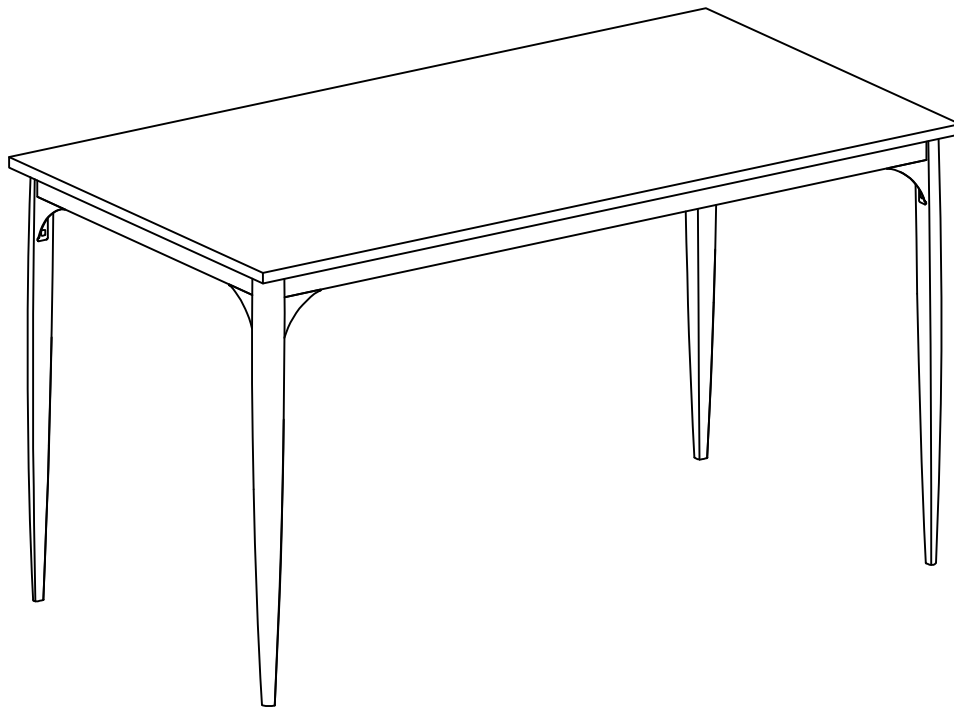


# Assembly Instructions

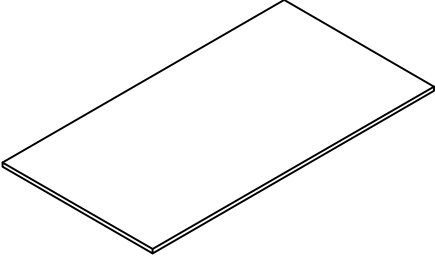
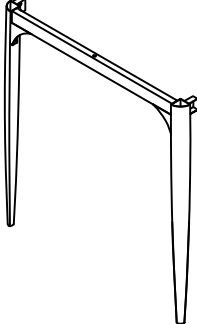
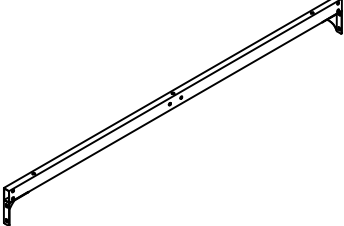
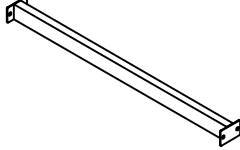
## Style# D4013-08



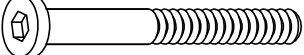


### NOTE TO CUSTOMERS:

- For ease and speed of assembly we recommend that before you commence each step of the assembly that you identify all the parts required to complete that step.
- We recommend that where possible you allow sufficient space to assemble the item as close as possible to the place where it will be once assembled.
- For the protection of your furniture we recommend that the product is placed on protected surfaces during assembly to prevent any damage.
- During assembly do not over tighten, as this may damage the product.
- Please ensure you retain all the product packaging until the item completely assembled.
- Please periodically check all fittings and re-tighten as necessary.
- It is recommended that this item should be assembled by two adults.

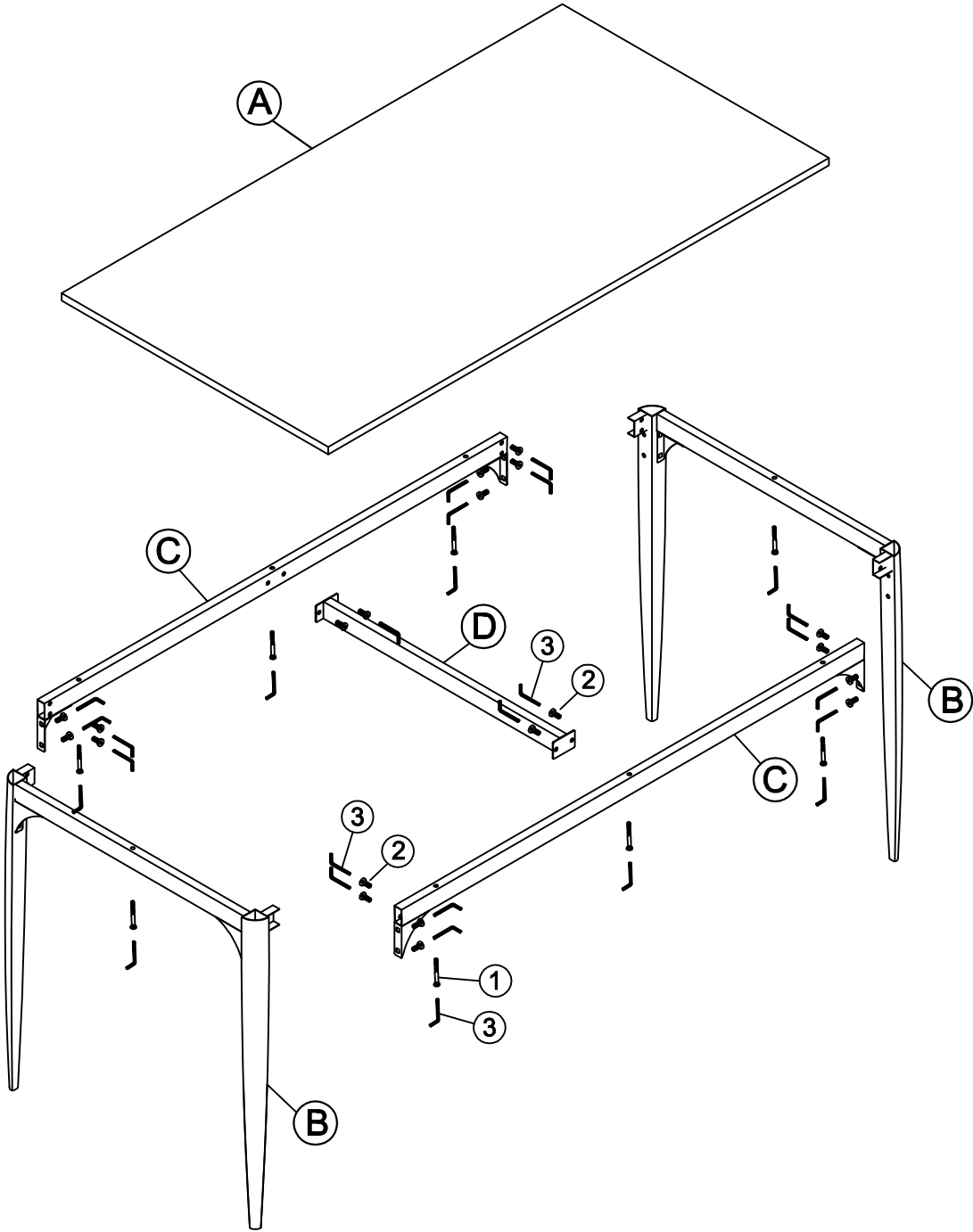
### A-Furniture Parts

Parts ID	Image	Description	Qty
A		Table Top	1
B		Table leg	2
C		Connector	2
D		Connector	1



### B-Hardware Parts

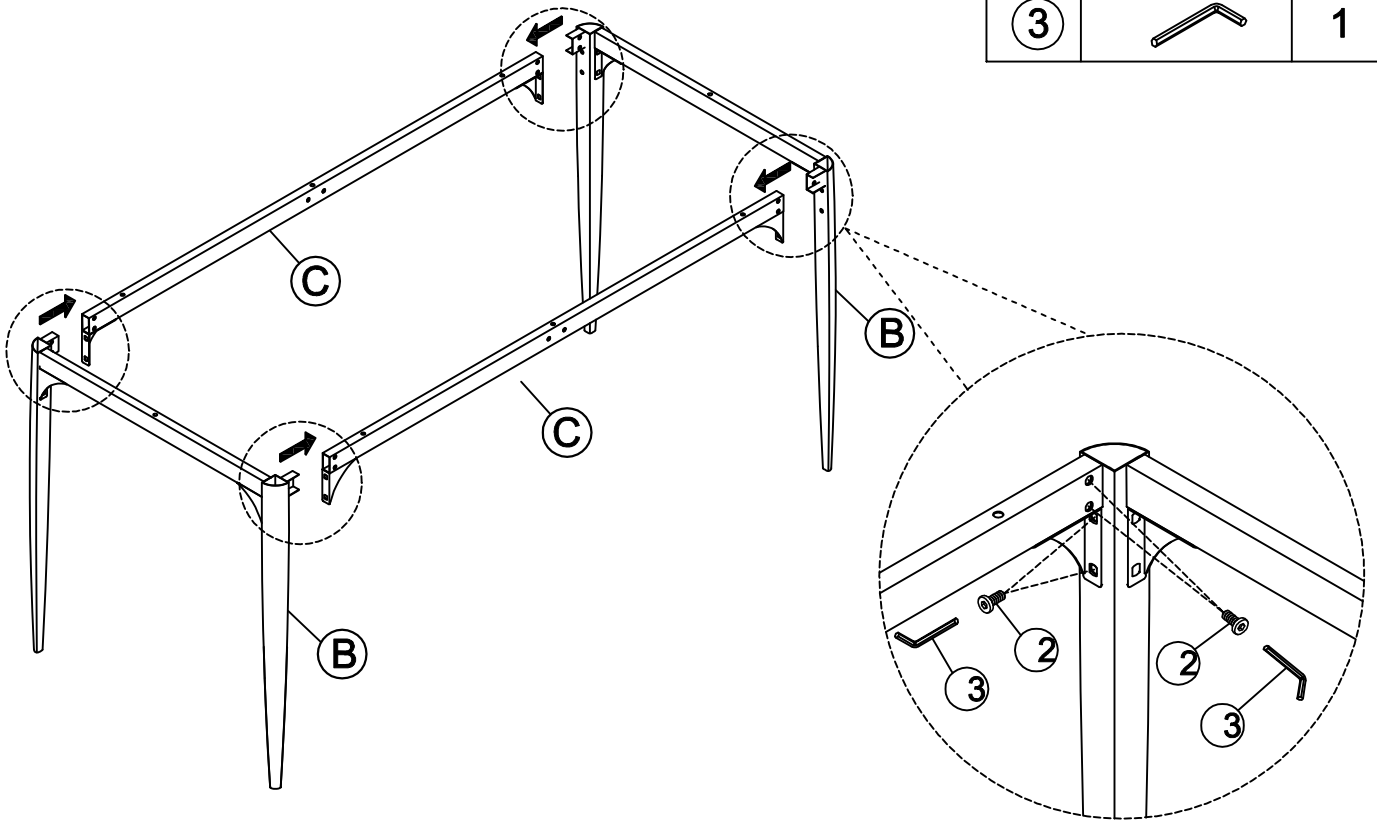
Parts ID	Image	Description	Qty
1		Bolt M6*2"L	8
2		Bolt M6*0.5"L	20
3		4# Allen Key	1

Parts List:





### Step 1

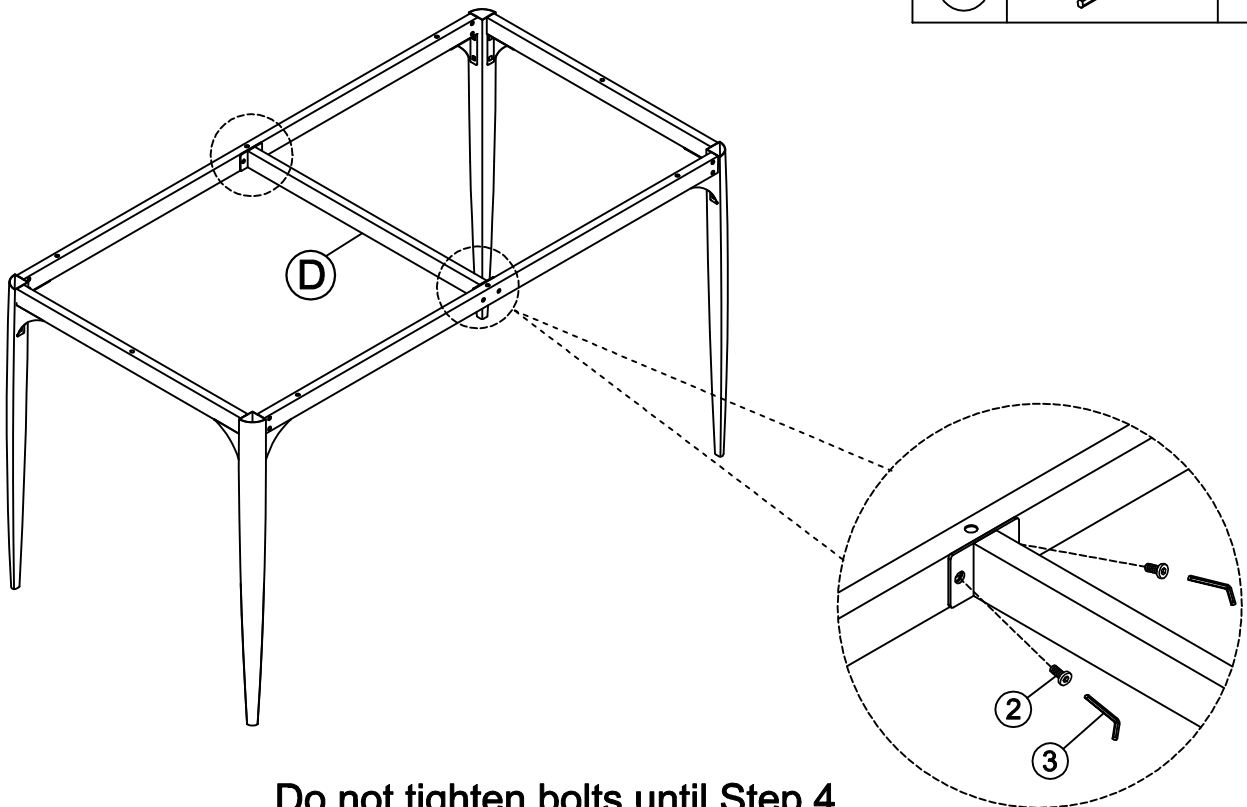
②		16
③		1



Do not tighten bolts until Step 4.

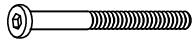

### Step 2

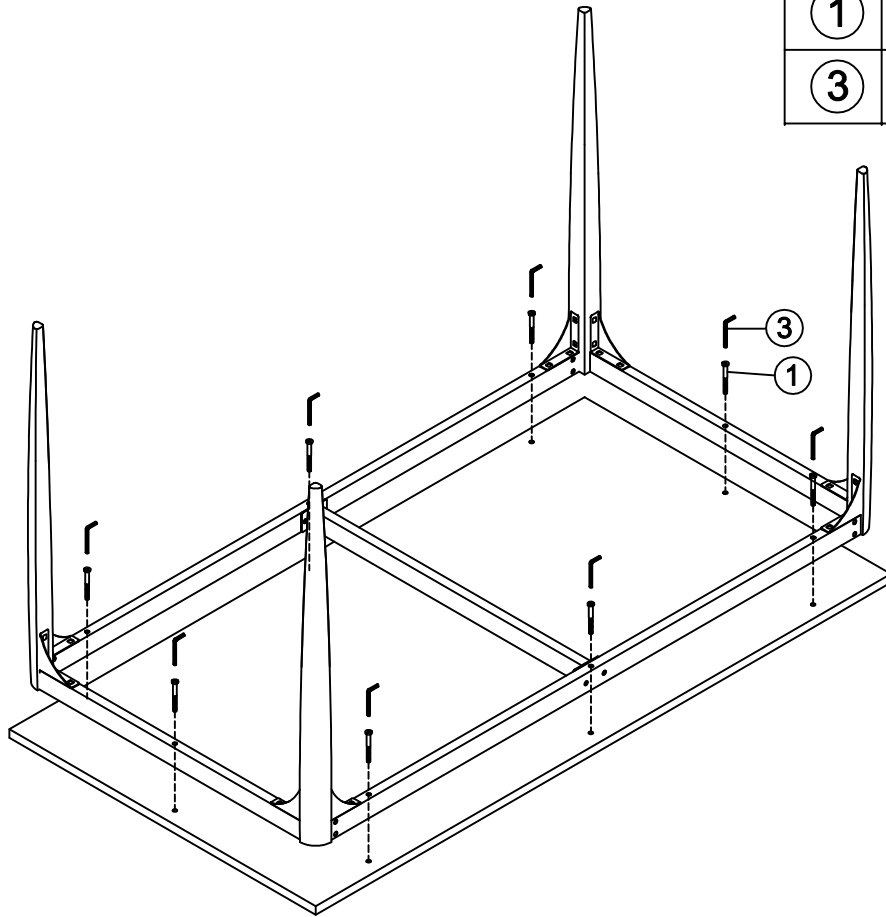
②		4
③		1



Do not tighten bolts until Step 4.

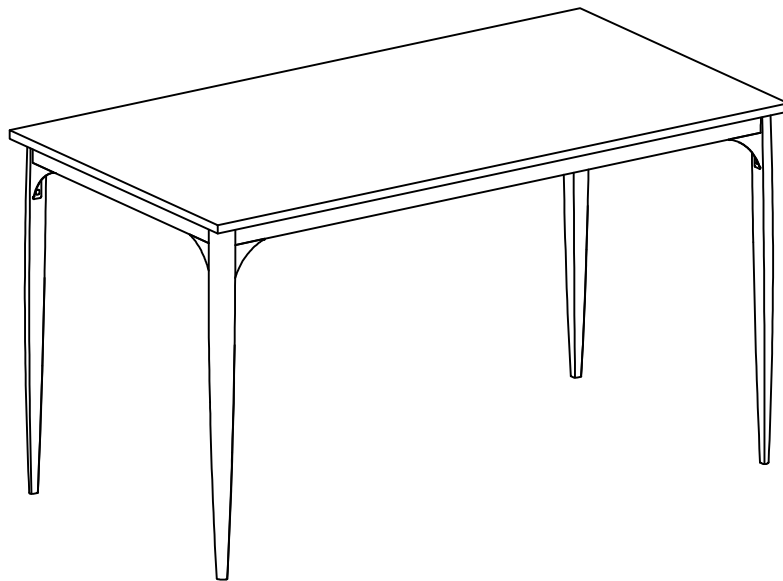
### Step 3

1		8
3		1



**Do not tighten bolts until Step 4.**

### Step 4



**Place the table on a flat surface and check if it is stable before tightening all bolts.**