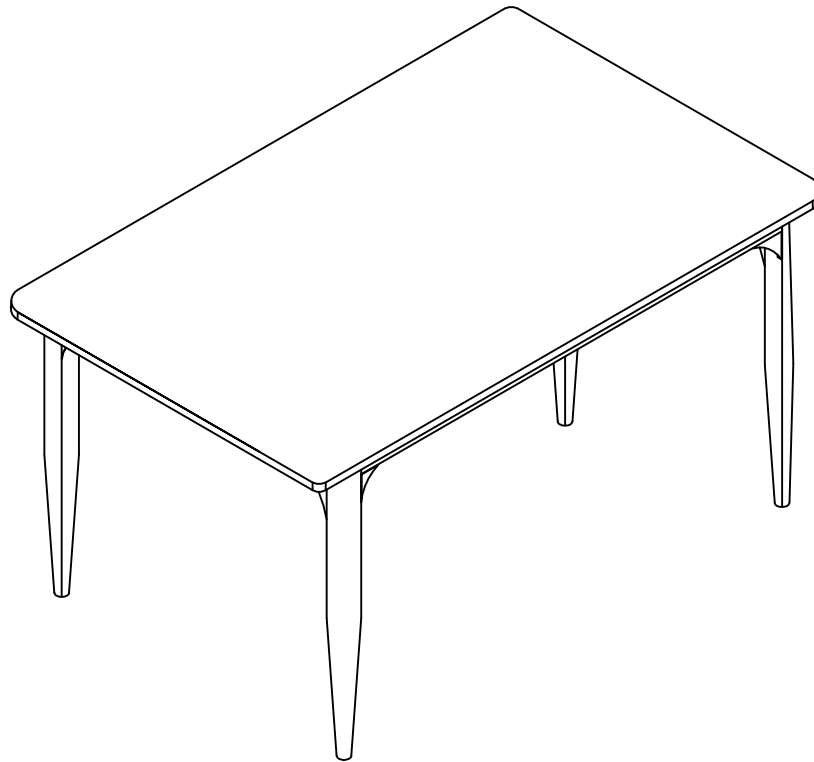


# ASSEMBLY INSTRUCTIONS

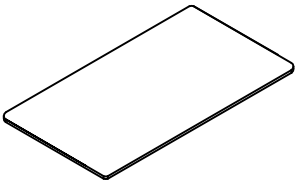
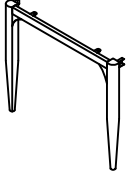

## Style #D4013-05 Dinette Table





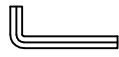
### NOTE TO CUSTOMERS:

- For ease and speed of assembly we recommend that before you commence each step of the assembly that you identify all the parts required to complete that step.
- We recommend that where possible you allow sufficient space to assemble the item as close as possible to the place where it will be once assembled.
- For the protection of your furniture we recommend that the product is placed on protected surfaces during assembly to prevent any damage.
- During assembly do not over tighten, as this may damage the product.
- Please ensure you retain all the product packaging until the item completely assembled.
- Please periodically check all fittings and re-tighten as necessary.
- It is recommended that this item should be assembled by two adults.

## Part List


A1. Quantity of 1  <b>Table Top</b>	A2. Quantity of 2  <b>Leg</b>	A3. Quantity of 2  <b>Connecting Bar</b>	
--	--	--	--

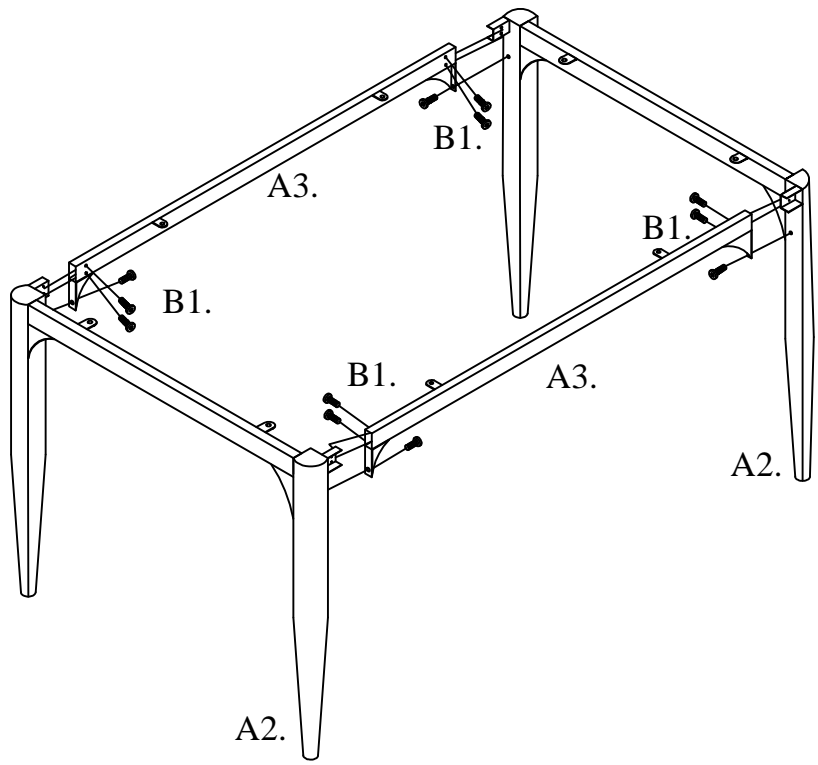
## Hardware List

B1. Quantity of 12  Dia 0.23"*0.5"L <b>Bolt</b>	B2. Quantity of 8  Dia 0.15"*0.5"L <b>Screw</b>	 <b>Allen Wrench</b>
---	---	--

# STEP 1

## Assembly instructions

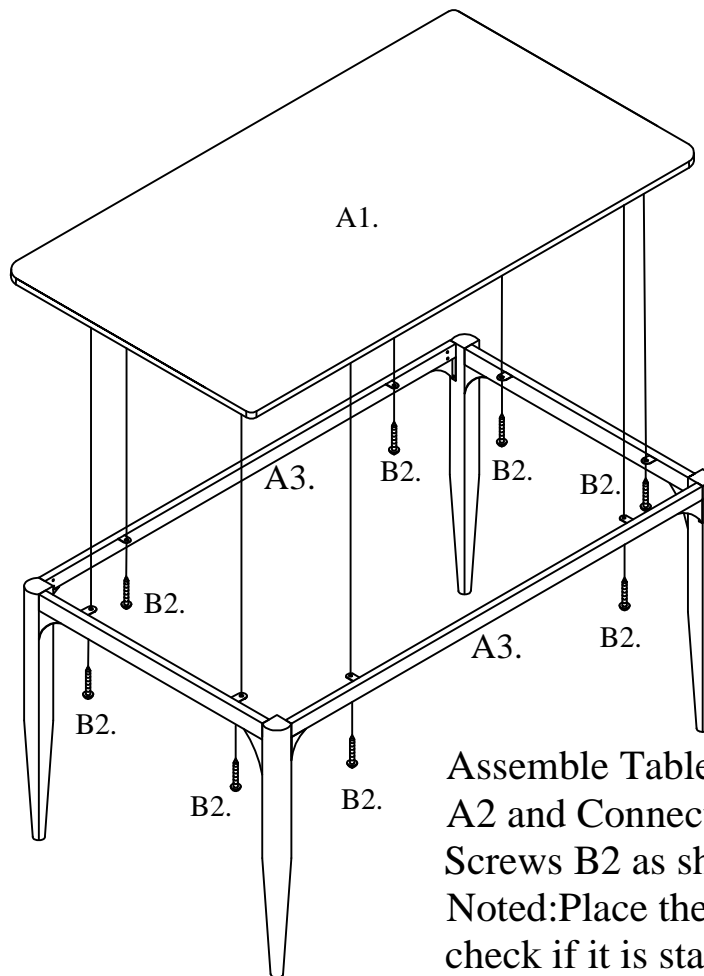
B1  12pcs



Assemble Legs A2 to Connecting Bars A3 using Bolts B1.  
Noted:Please do not tighten Bolts B1 until Step 2.

# STEP 2

B2  8pcs



Assemble Table Top A1 to Connect Leg A2 and Connecting Bars A3 using Screws B2 as shown above.  
Noted:Place the table on the flat floor to check if it is stable before tightening all bolts.