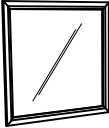



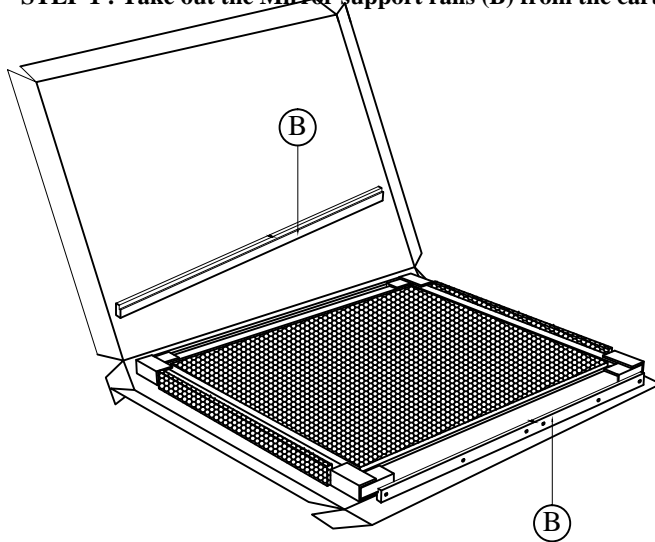
# ASSEMBLY INSTRUCTIONS

**MODEL :0170A  
DRESSER & MIRROR**

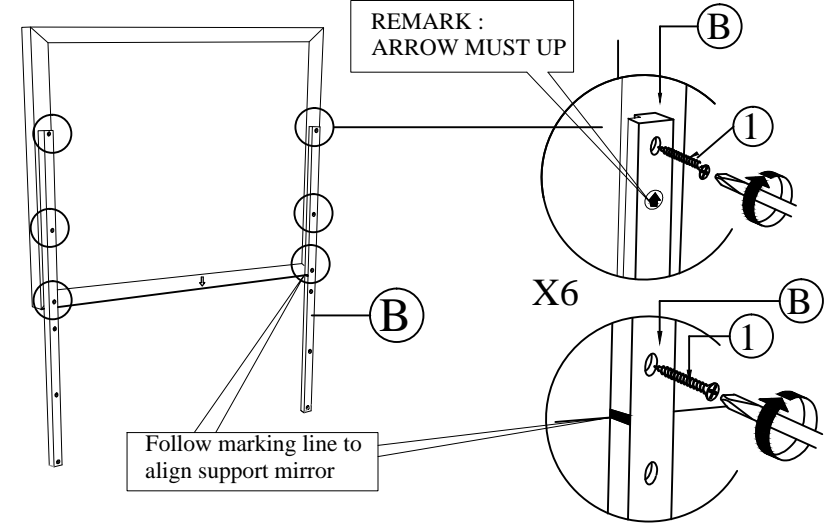
**(Box 1)**  
BOX OF MIRROR

NO	ITEM	QTY
A	MIRROR 	1 PC
B	MIRROR SUPPORT RAIL 	2 PCS


**STEP 1 : Take out the Mirror support rails (B) from the carton box.**



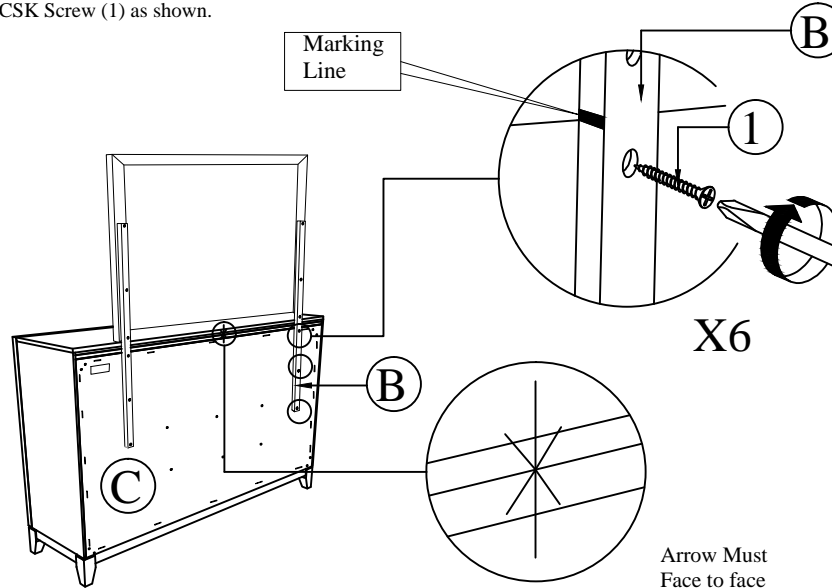
**STEP 2 : Attach Mirror Support Rail (B) to Mirror (A) as shown and tighten with CSK Screw (1)**




**(Box 2)**  
BOX OF DRESSER

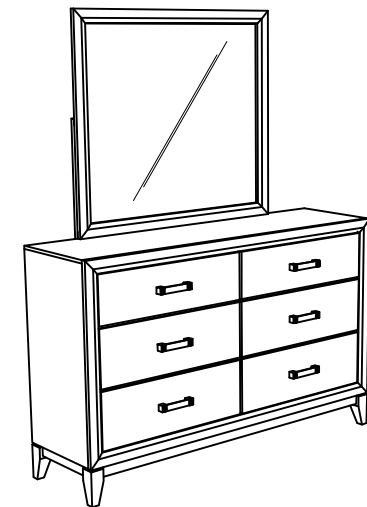
NO	ITEM	QTY
C	DRESSER 	1 PC

**STEP 3 / ETAPE 3 :**  
Tighten the CSK Screw (1) as shown.



**(Box 1)**  
BOX OF MIRROR

NO	ITEM	QTY
1	CSK SCREW M4 X 32MM 	12 PCS



**COMPLETED**  
**ASSEMBLY**

NOTE : MUST TIGHTEN SCREWS PERIODCALLY WITH USE SCREW WILL BECOME LOOSE CHECK TIGHTNESS OF ALL SCREW EVERY 6-8 WEEKS.