


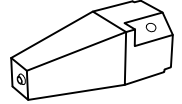
# ASSEMBLY INSTRUCTIONS

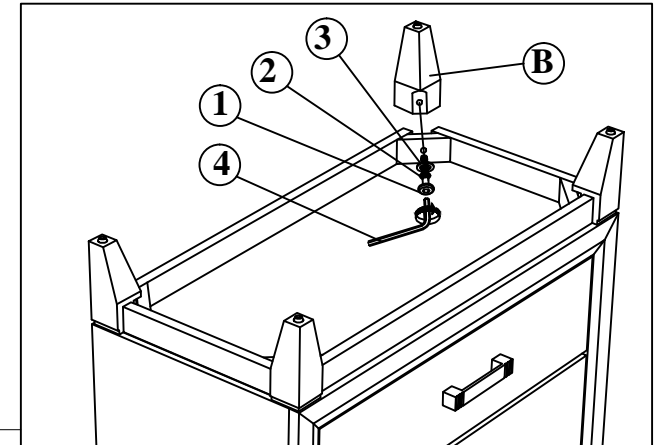
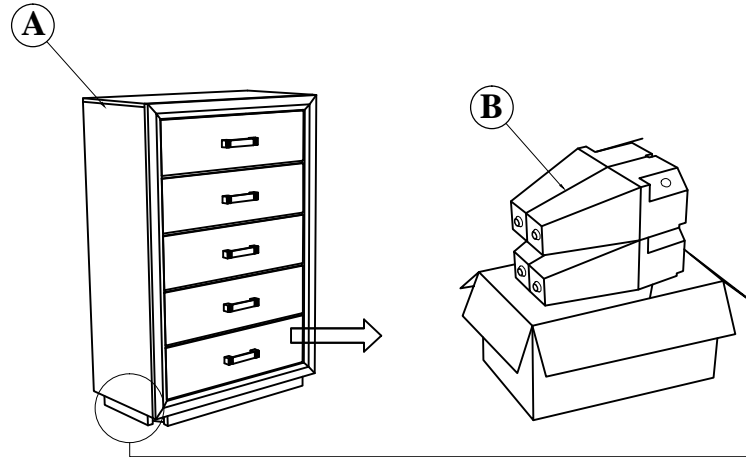
**MODEL : 0170A  
CHEST**

**STEP 1 :** Pull the drawer and take out the Bunfoot carton ( B ). Attach the Bunfoot ( B ) at the bottom Night Stand ( A ) used JCBC ( 1 ) with Spring Washer ( 2 ) Flat Washer ( 3 ) and tighten with Allen Wrench ( 4 ).

**(BOX 1)**




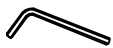
**BOX OF CHEST**

NO	ITEM	QTY
	CHEST	
A		1 pc
	BUN FOOT	
B		4 pcs



**(BOX 1)**

**HARDWARE LIST**

NO	ITEM	QTY
	JCBC M6 x 50mm	
1		4 PCS
	Spring Washer 1/4" Rbw	
2		4 PCS
	Flat Washer 1/4"ID x 19mmOD Blk	
3		4 PCS
	ALLEN KEY m4x65mm Blk	
4		1 pc



**COMPLETED ASSEMBLY**

**NOTE :** MUST TIGHTEN SCREWS **PERIODICALLY** WITH USE SCREW WILL BECOME LOOSE CHECK TIGHTNESS OF ALL SCREW EVERY 6-8 WEEKS.