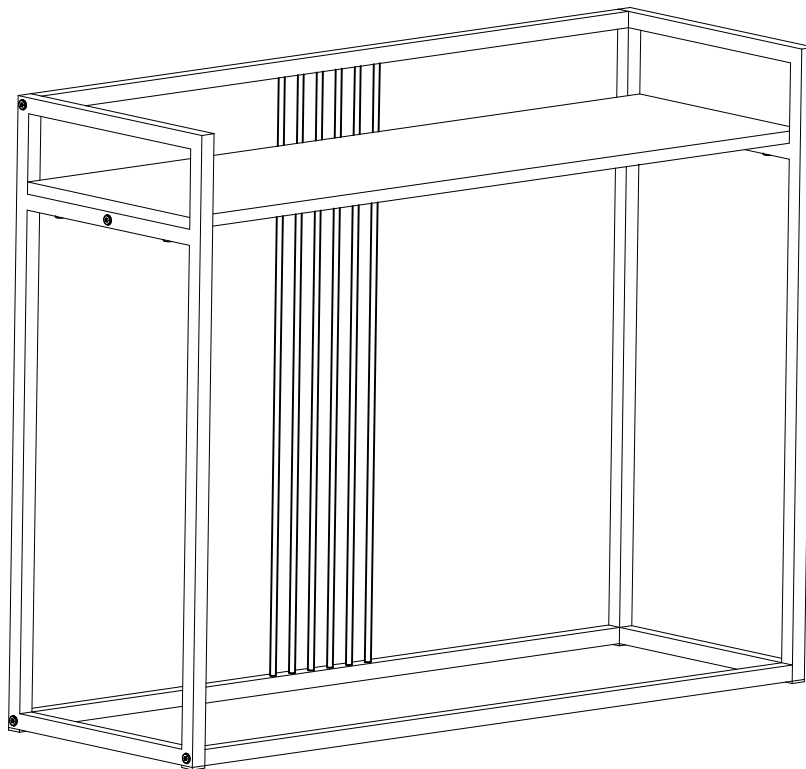


# ASSEMBLY INSTRUCTIONS

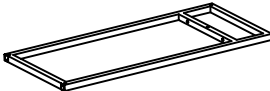


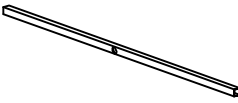


Style # C1425-WH&C1425-BL Console Table



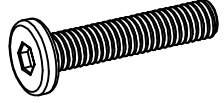


## NOTE TO CUSTOMERS:

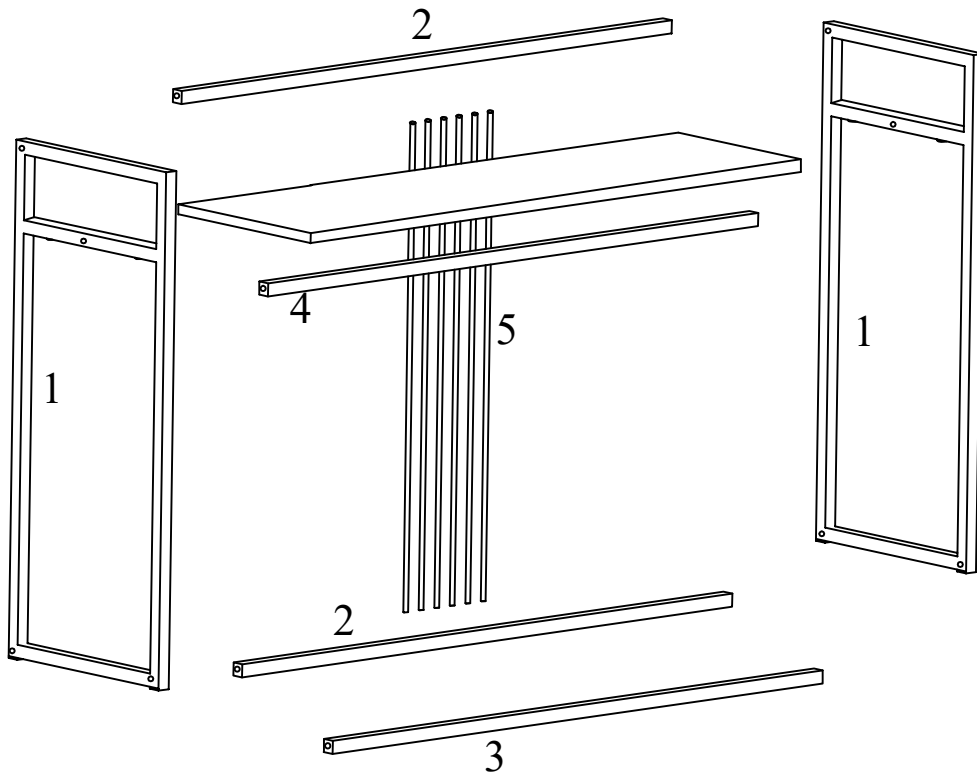
- For ease and speed of assembly we recommend that before you commence each step of the assembly that you identify all the parts required to complete that step.
- We recommend that where possible you allow sufficient space to assemble the item as close as possible to the place where it will be once assembled.
- For the protection of your furniture we recommend that the product is placed on protected surfaces during assembly to prevent any damage.
- During assembly do not over tighten, as this may damage the product.
- Please ensure you retain all the product packaging until the item completely assembled.
- Please periodically check all fittings and re-tighten as necessary.
- It is recommended that this item should be assembled by two adults.

# Part List

<p>1</p> <p style="text-align: right;">Quantity of 2</p>  <p>Side Frame</p>	<p>2</p> <p style="text-align: right;">Quantity of 2</p>  <p>Back Connect Bar</p>	<p>3</p> <p style="text-align: right;">Quantity of 1</p>  <p>Lower Front Connect Bar</p>
<p>4</p> <p style="text-align: right;">Quantity of 1</p>  <p>Upper Front Connect Bar</p>	<p>5</p> <p style="text-align: right;">Quantity of 6</p>  <p>Connect Bar</p>	<p>6</p> <p style="text-align: right;">Quantity of 1</p>  <p>Top panel</p>

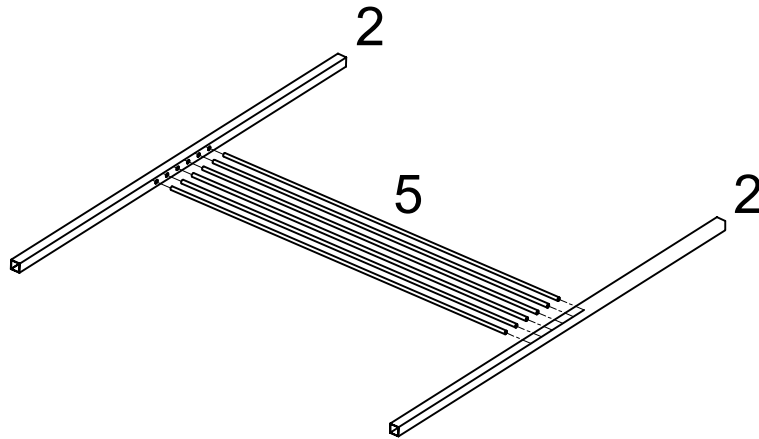
# Hardware List

<p>A</p> <p style="text-align: right;">Quantity of 8</p>  <p>M6X35</p> <p>Bolt</p>	<p>B</p> <p style="text-align: right;">Quantity of 5</p>  <p>M6X30</p> <p>Bolt</p>		
--	--	---	--



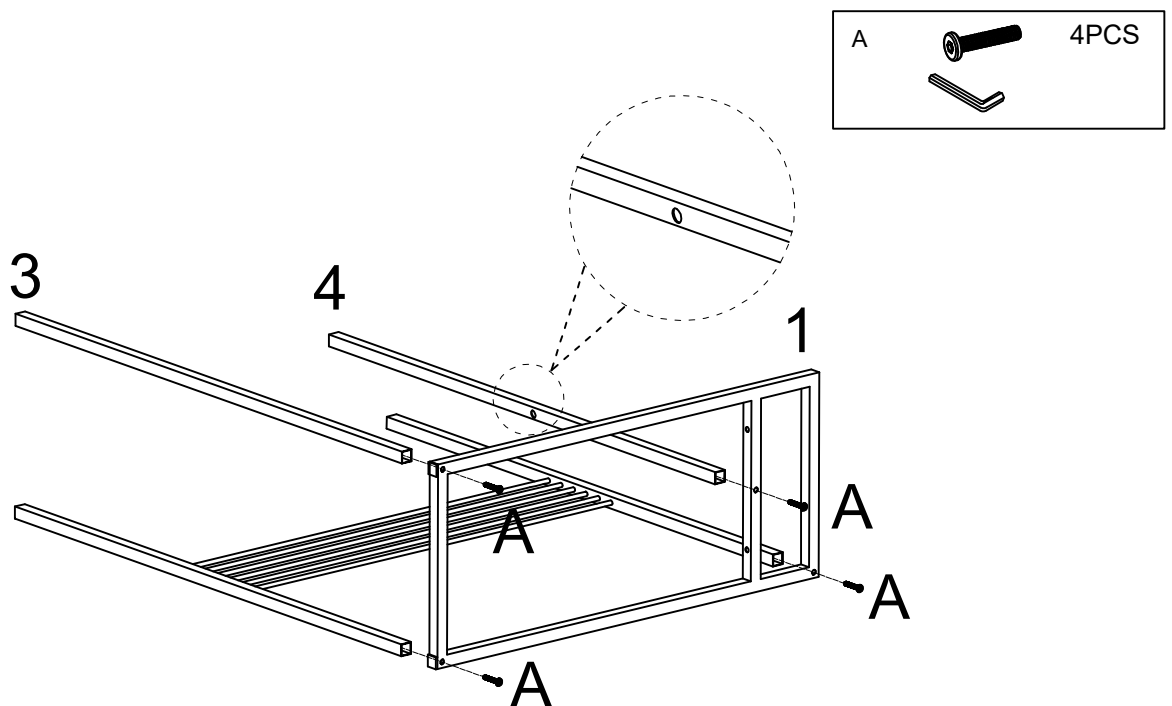
# Assembly instructions

Step 1:



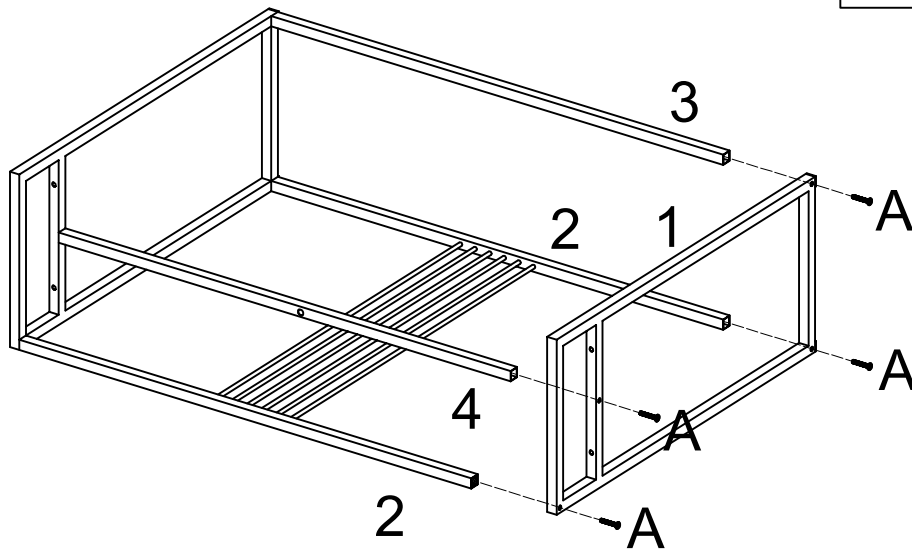
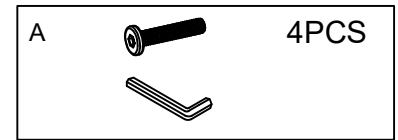
Insert the Connect Bar as shown above.

Step 2:



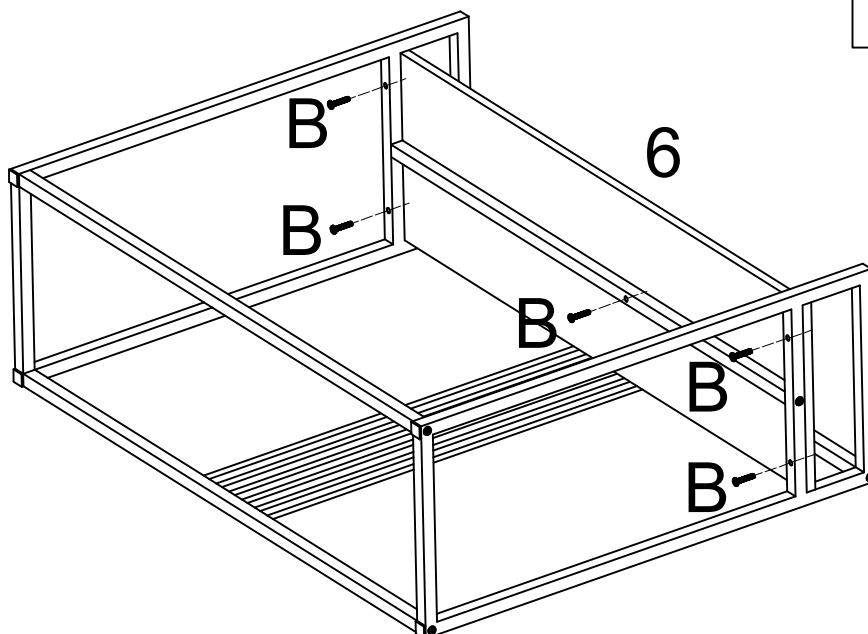
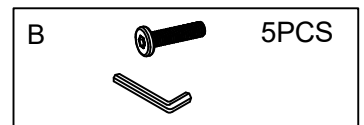
Do not tighten bolts A until step 4.

### Step 3:



Do not tighten bolts B until step 4.

### Step 4:



Place unit on the floor or on the flat surface and check if it is stable before tightening all bolts.