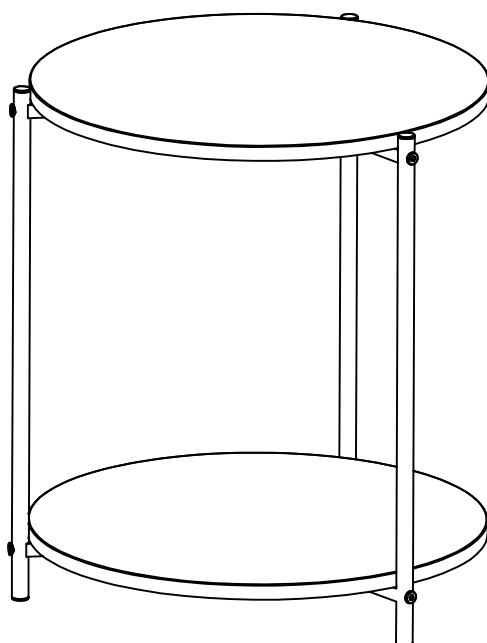


ASSEMBLY INSTRUCTIONS

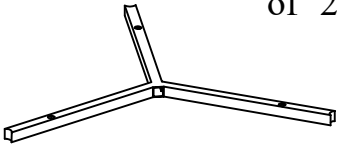


Style # 1385WH-E&1385BL-E End Table



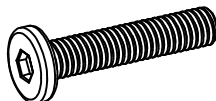
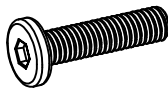

NOTE TO CUSTOMERS:

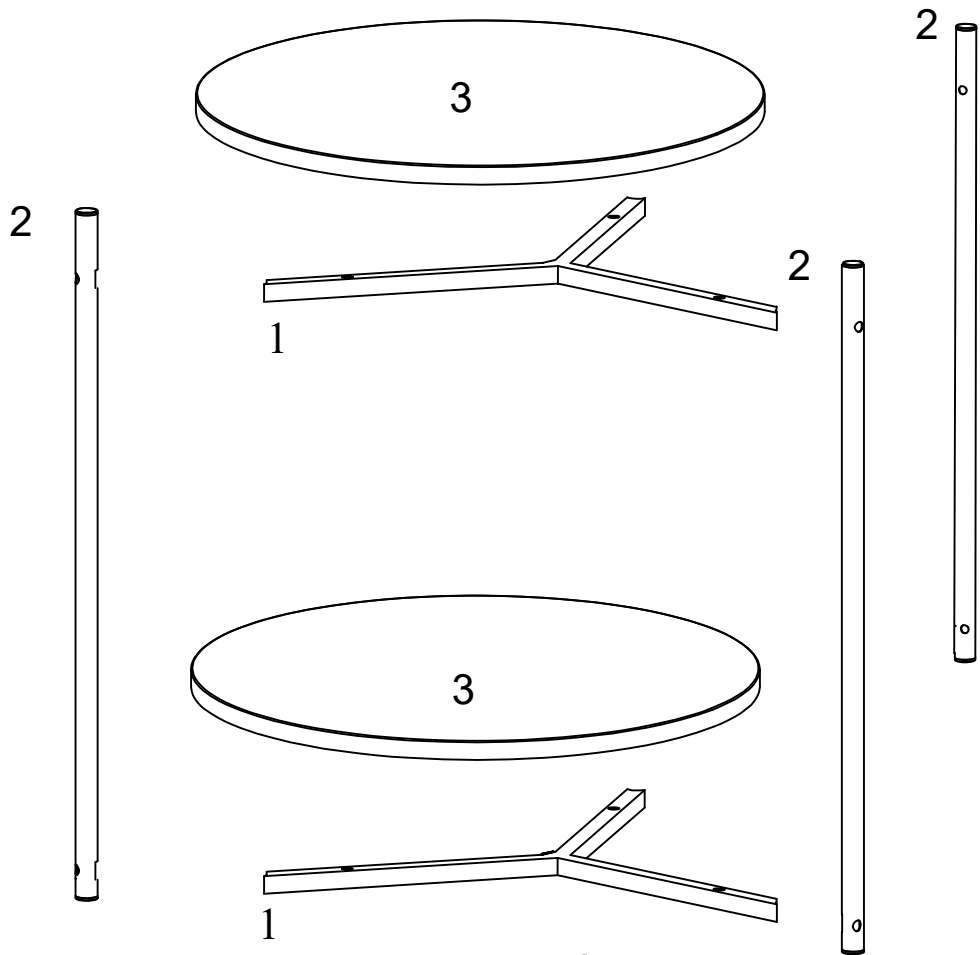
- For ease and speed of assembly we recommend that before you commence each step of the assembly that you identify all the parts required to complete that step.
- We recommend that where possible you allow sufficient space to assemble the item as close as possible to the place where it will be once assembled.
- For the protection of your furniture we recommend that the product is placed on protected surfaces during assembly to prevent any damage.
- During assembly do not over tighten, as this may damage the product.
- Please ensure you retain all the product packaging until the item completely assembled.
- Please periodically check all fittings and re-tighten as necessary.
- It is recommended that this item should be assembled by two adults.

Part List

<p>1</p>  <p>Cross Bar</p>	<p>Quantity of 2</p>	<p>2</p>  <p>Leg</p>	<p>Quantity of 3</p>	<p>3</p>  <p>Shelf panel</p>	<p>Quantity of 2</p>
---	--------------------------	---	--------------------------	---	--------------------------

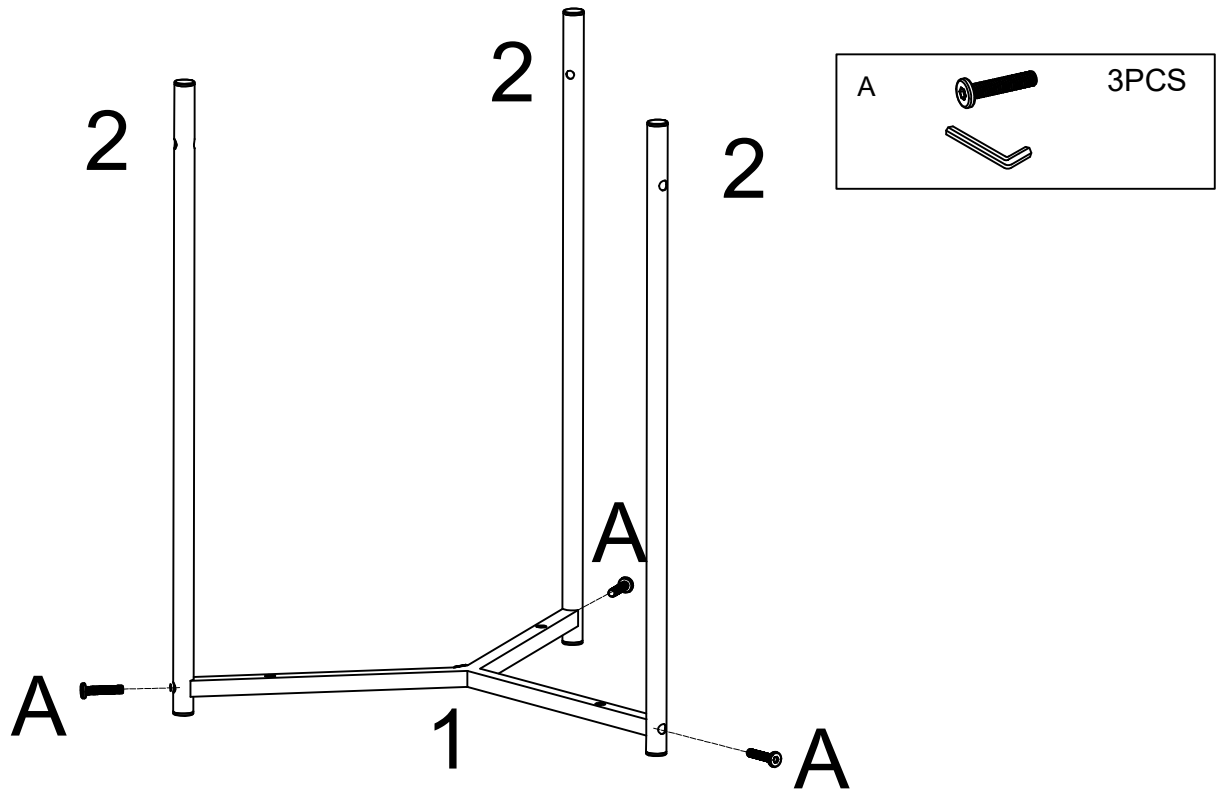
Hardware List

<p>A</p>  <p>M6X30</p> <p>Bolt</p>	<p>Quantity of 6</p>	<p>B</p>  <p>M6X25</p> <p>Bolt</p>	<p>Quantity of 6</p> 		
---	--------------------------	---	---	--	--



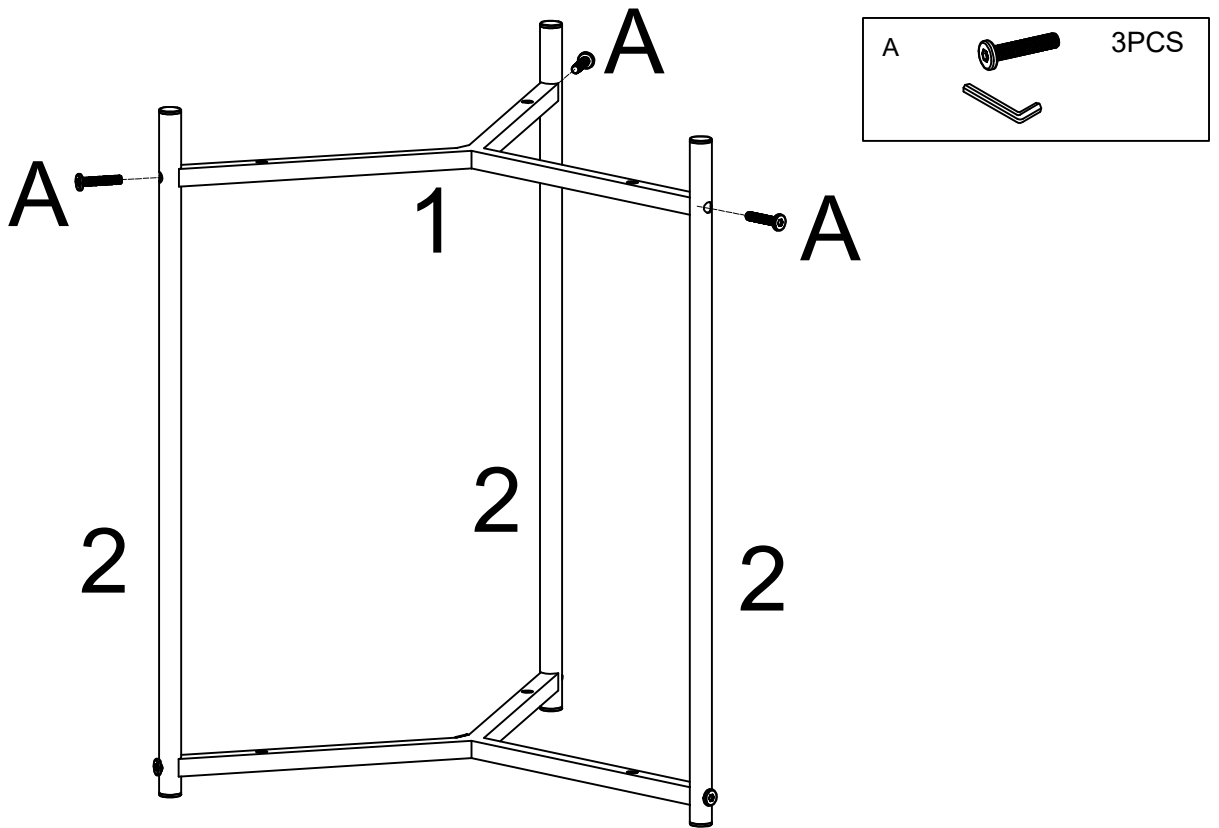
Assembly instructions

Step 1:



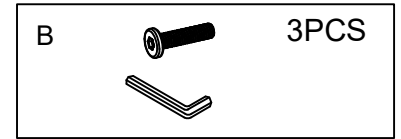
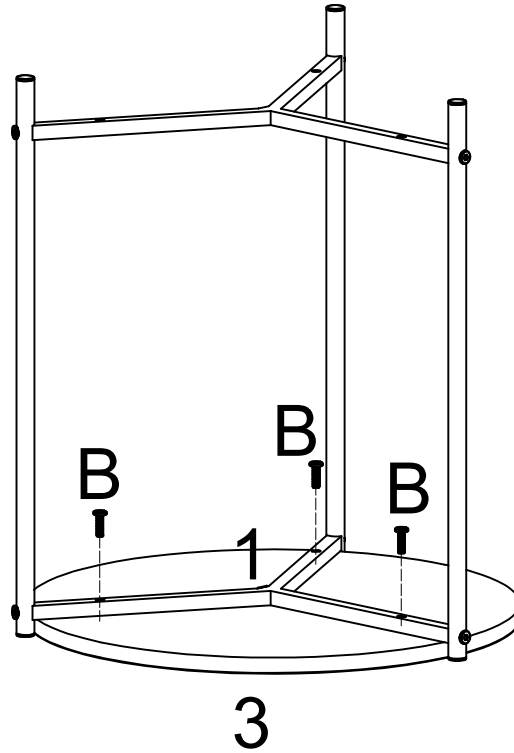
Do not tighten bolts A until step 4.

Step 2:



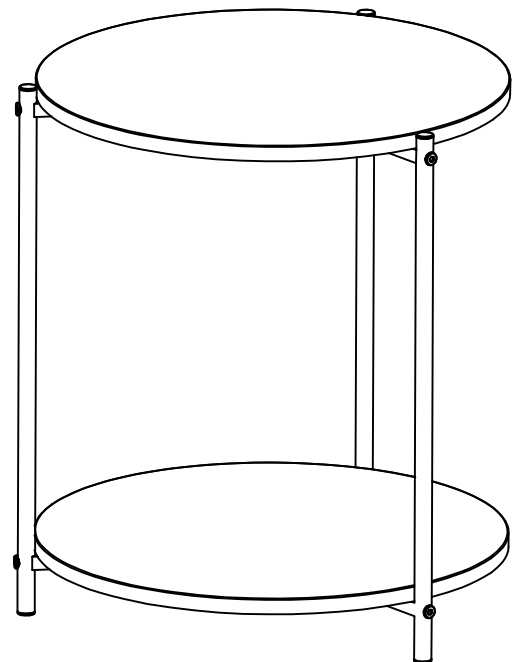
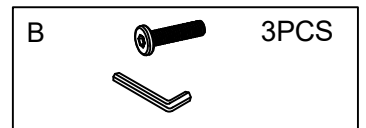
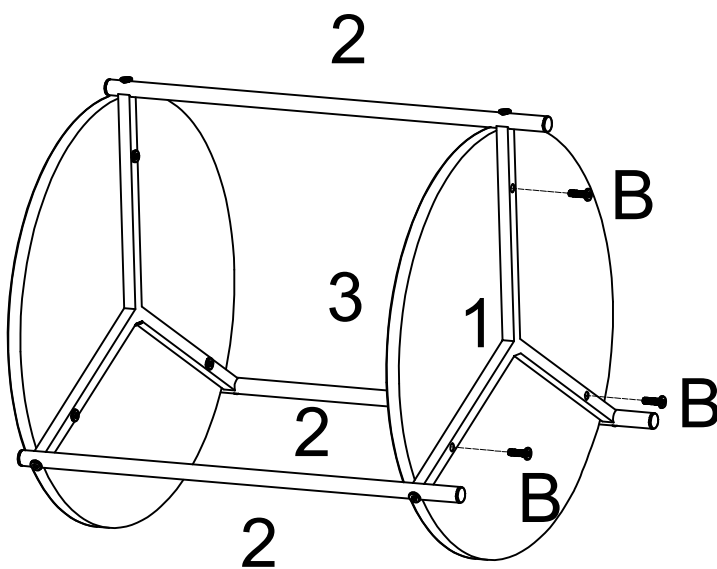
Do not tighten bolts A until step 4.

Step 3:



Do not tighten bolts B until step 4.

Step 4:



Place unit on the floor or on the flat surface and check if it is stable before tightening all bolts.