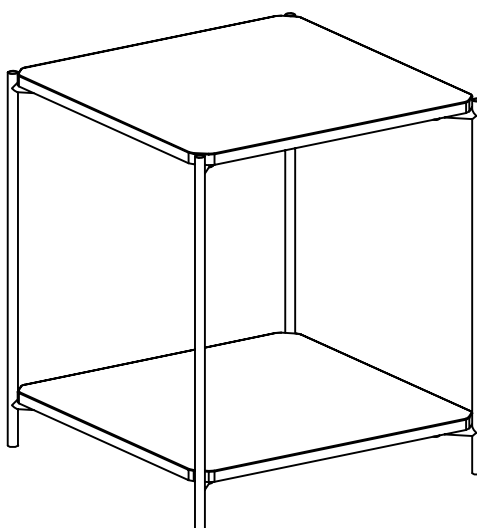


ASSEMBLY INSTRUCTIONS

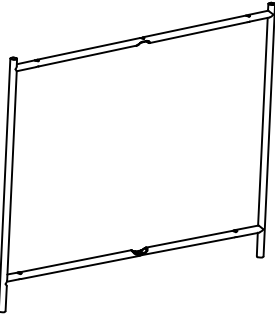
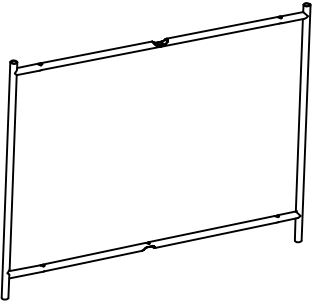
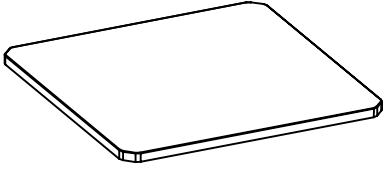
Style # 1384WH-E & 1384BL-E
Side Table





NOTE TO CUSTOMERS:

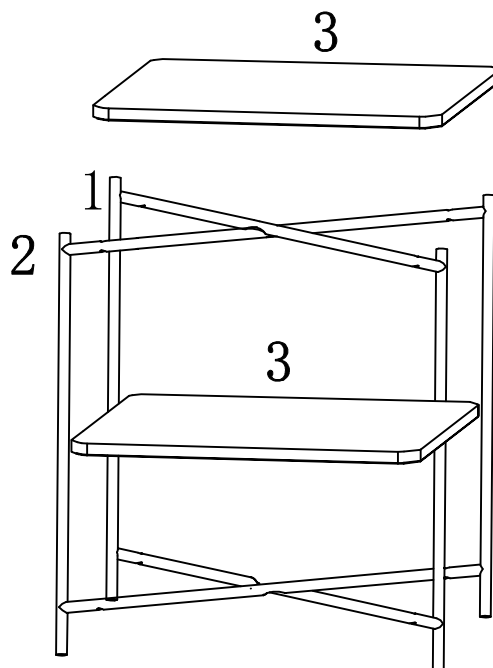
- For ease and speed of assembly we recommend that before you commence each step of the assembly that you identify all the parts required to complete that step.
- We recommend that where possible you allow sufficient space to assemble the item as close as possible to the place where it will be once assembled.
- For the protection of your furniture we recommend that the product is placed on protected surfaces during assembly to prevent any damage.
- During assembly do not over tighten, as this may damage the product.
- Please ensure you retain all the product packaging until the item completely assembled.
- Please periodically check all fittings and re-tighten as necessary.
- It is recommended that this item should be assembled by two adults.

Part List

1 Quantity of 1  Side Frame	2 Quantity of 1  Side Frame	3 Quantity of 2  Shelf Panel
---	---	--

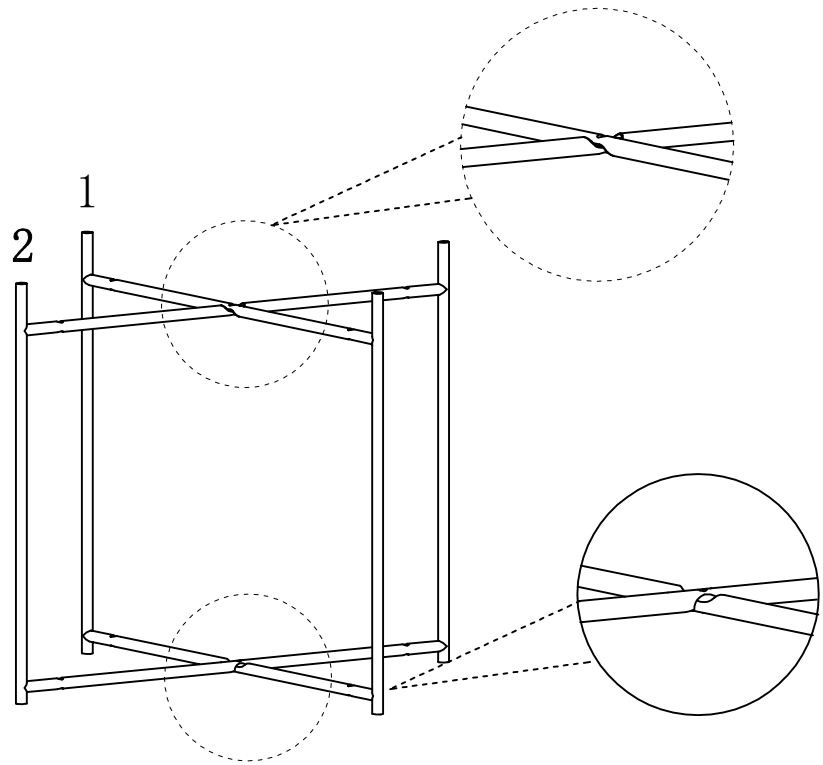
Hardware List

A Quantity of 10  M6X1"L Bolt	 Bolt		
---	--	--	--

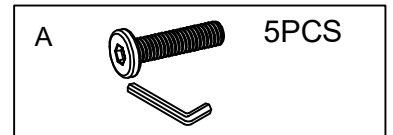
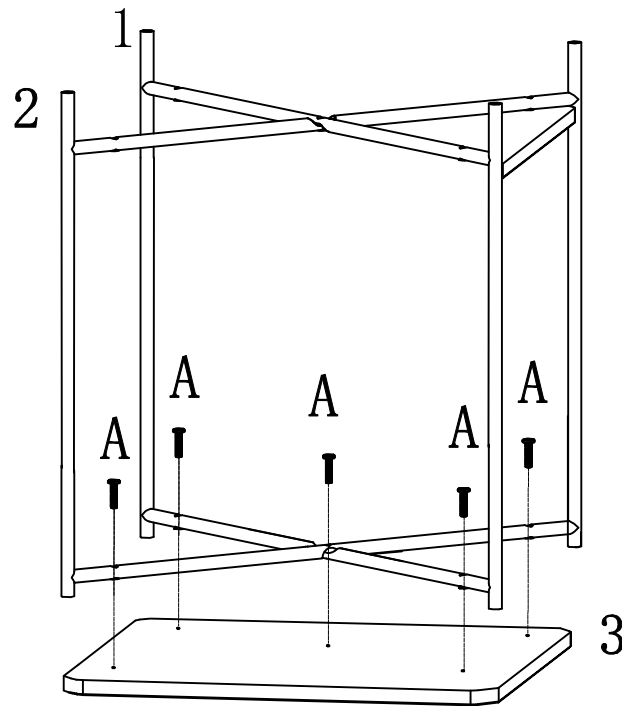


Assembly instructions

Step 1:

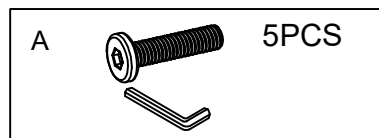
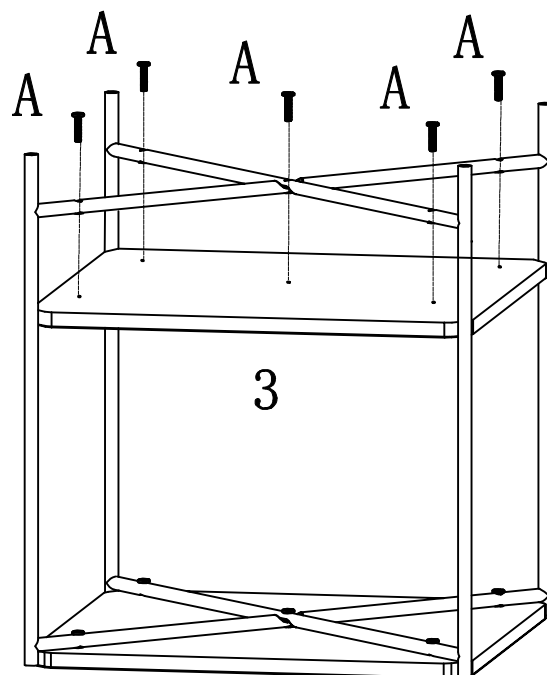


Step 2:



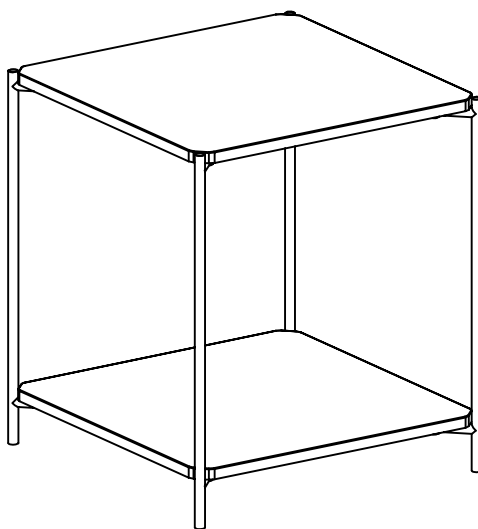
Do not tighten bolts A until step 4.

Step 3:



Do not tighten bolts A until step 4.

Step 4:



Place unit on the floor or on the flat surface and check if it is stable before tightening all bolts.