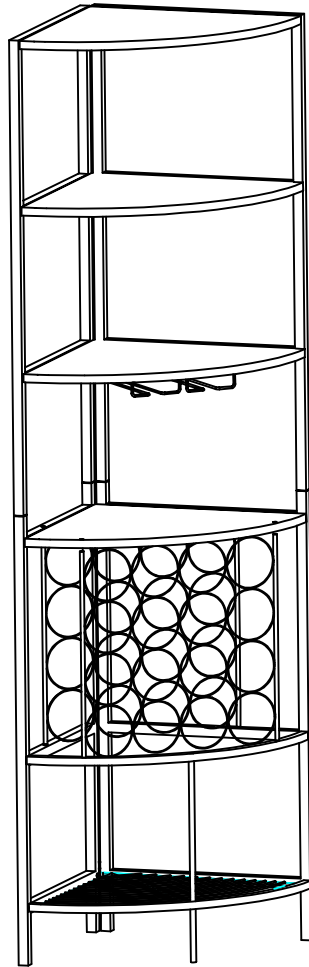


ASSEMBLY INSTRUCTIONS

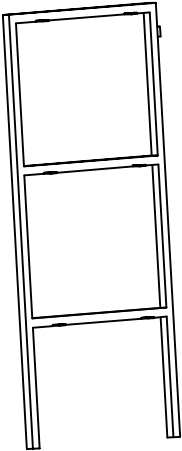
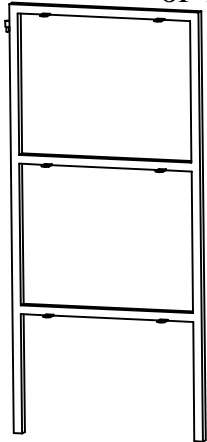
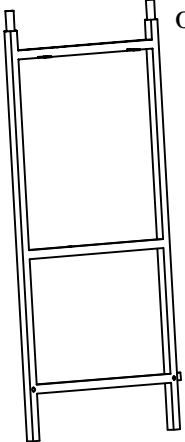
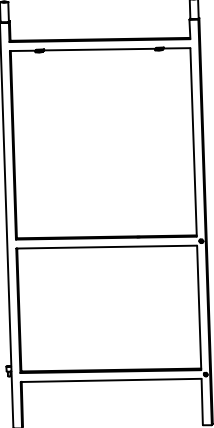



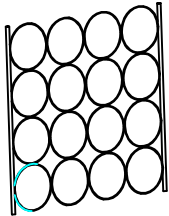

Style # WR1531-WH & WR1531-PE
Wine Rack






NOTE TO CUSTOMERS:

- For ease and speed of assembly we recommend that before you commence each step of the assembly that you identify all the parts required to complete that step.
- We recommend that where possible you allow sufficient space to assemble the item as close as possible to the place where it will be once assembled.
- For the protection of your furniture we recommend that the product is placed on protected surfaces during assembly to prevent any damage.
- During assembly do not over tighten, as this may damage the product.
- Please ensure you retain all the product packaging until the item completely assembled.
- Please periodically check all fittings and re-tighten as necessary.
- It is recommended that this item should be assembled by two adults.



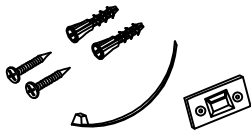

Part List

<p>A1</p> <p>Quantity of 1</p>  <p>Upper Left Frame</p>	<p>A2</p> <p>Quantity of 1</p>  <p>Upper Right Frame</p>	<p>A3</p> <p>Quantity of 1</p>  <p>Lower Left Frame</p>
<p>A4</p> <p>Quantity of 1</p>  <p>Lower Right Frame</p>	<p>A5</p> <p>Quantity of 2</p>  <p>Top Shelf</p>	<p>A6</p> <p>Quantity of 1</p>  <p>Center Shelf</p>
<p>A7</p> <p>Quantity of 1</p>  <p>Center Shelf</p>	<p>A8</p> <p>Quantity of 2</p>  <p>Wine Rack</p>	<p>A9</p> <p>Quantity of 1</p>  <p>Support Bar</p>

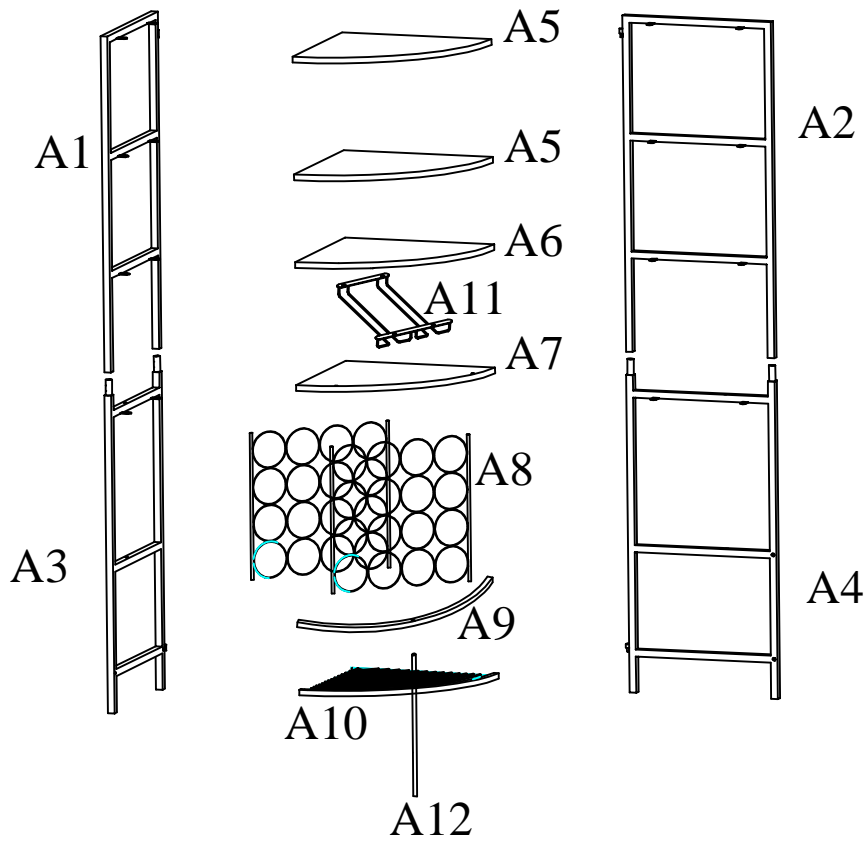
Part List

<p>A10</p> <p style="text-align: right;">Quantity of 1</p> <div style="text-align: center; margin: 20px 0;">  </div> <p>Metal Wire Net</p>	<p>A11</p> <p style="text-align: right;">Quantity of 1</p> <div style="text-align: center; margin: 20px 0;">  </div> <p>Cup Holder</p>	<p>A12</p> <p style="text-align: right;">Quantity of 1</p> <div style="text-align: center; margin: 20px 0;">  </div> <p>Support Leg</p>
---	---	--

Hardware List



<p>B1</p> <p style="text-align: right;">Quantity of 13</p> <div style="text-align: center; margin: 20px 0;">  </div> <p style="text-align: center;">Dia 1/4" * 1.25"</p> <p>Bolt</p>	<p>B2</p> <p style="text-align: right;">Quantity of 28</p> <div style="text-align: center; margin: 20px 0;">  </div> <p style="text-align: center;">Dia 1/4" * 0.5"</p> <p>Bolt</p>	<p>B3</p> <p style="text-align: right;">Quantity of 1</p> <div style="text-align: center; margin: 20px 0;">  </div> <p>Anti-Tip Kit</p>	<div style="text-align: center; margin: 20px 0;">  </div> <p>Allen Wrench</p>
---	--	---	--

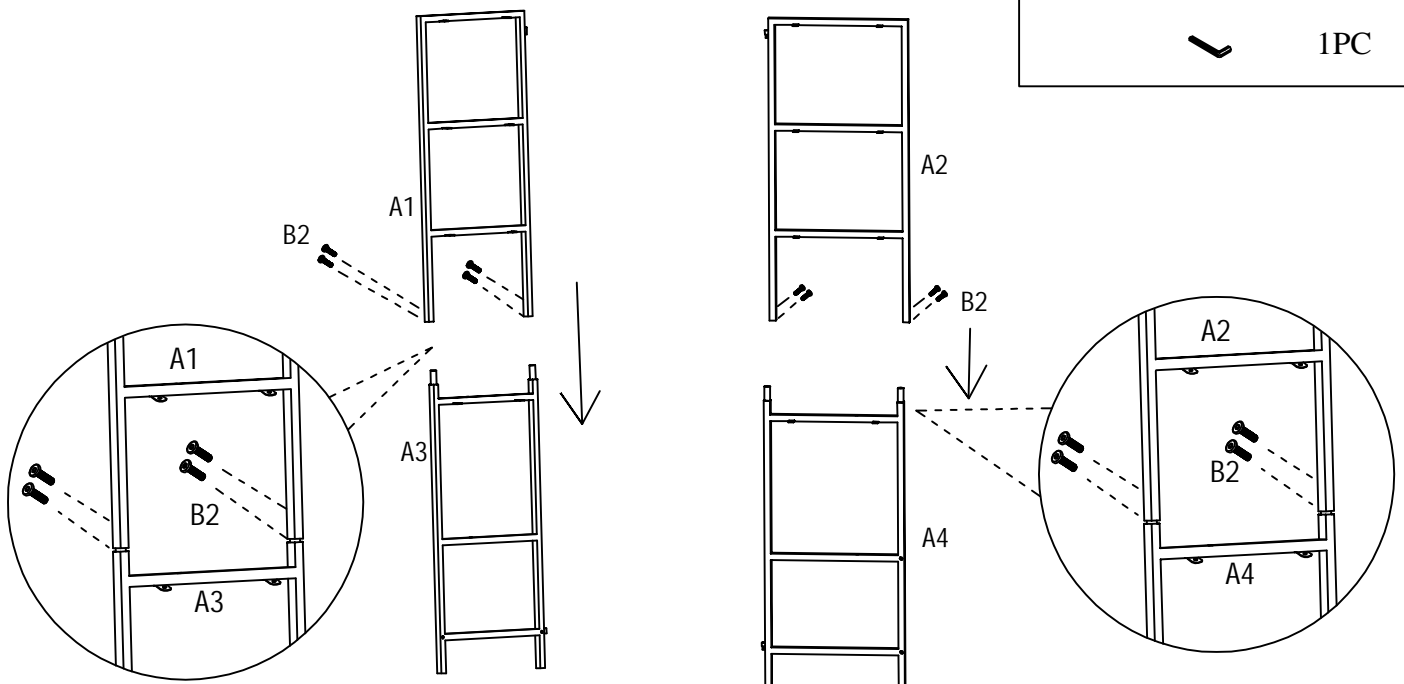
Part List



Assembly instructions

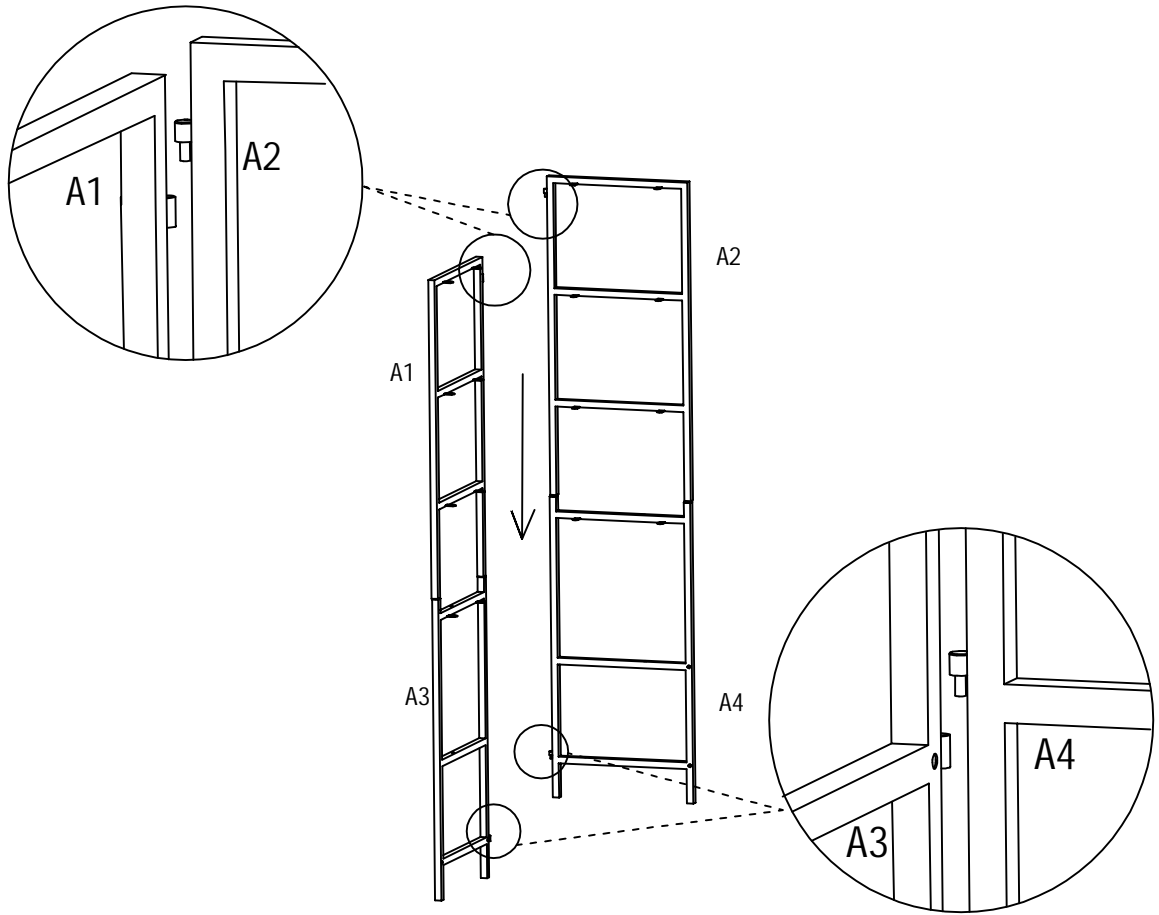
Step 1:

B2		8PCS
		1PC



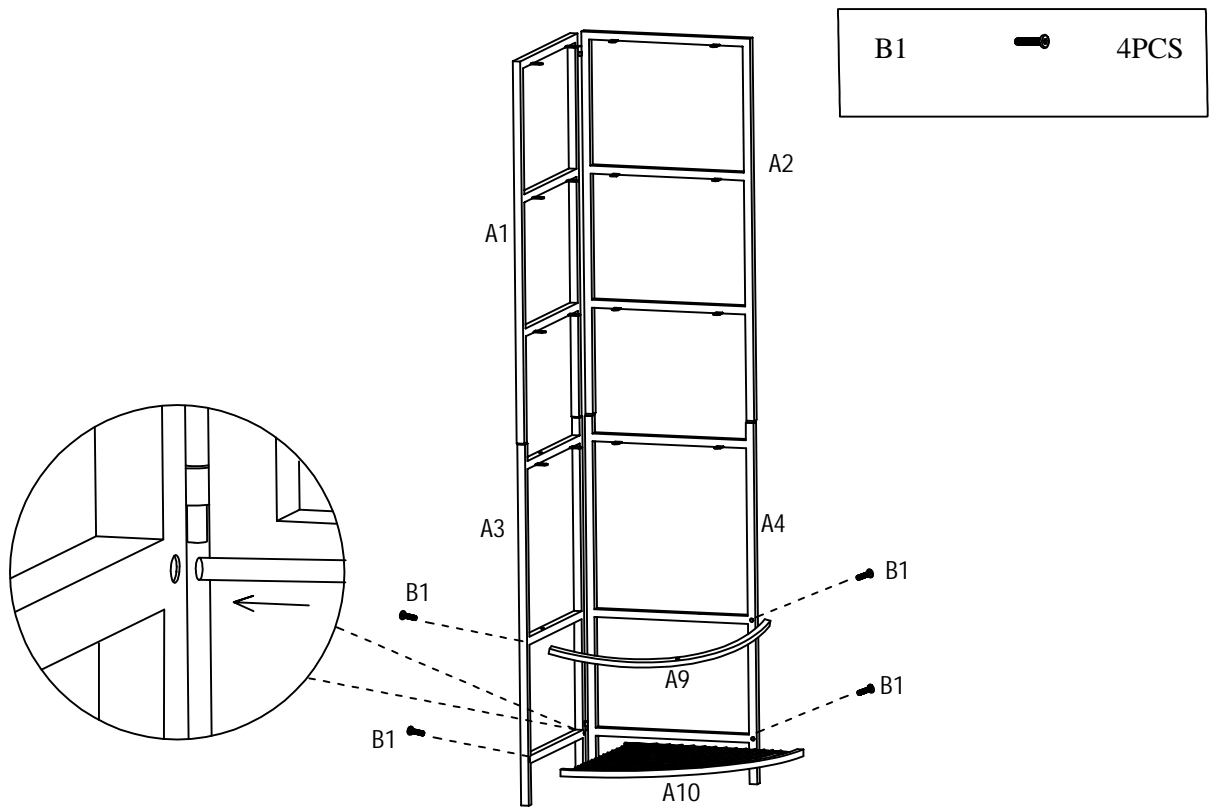
Assemble Upper Left Frame A1 to Lower Left Frame A3 using Bolts B2.
Repeat above step to assemble A2 & A4.

Step 2:



Attach the right frame to the left frame as shown above.

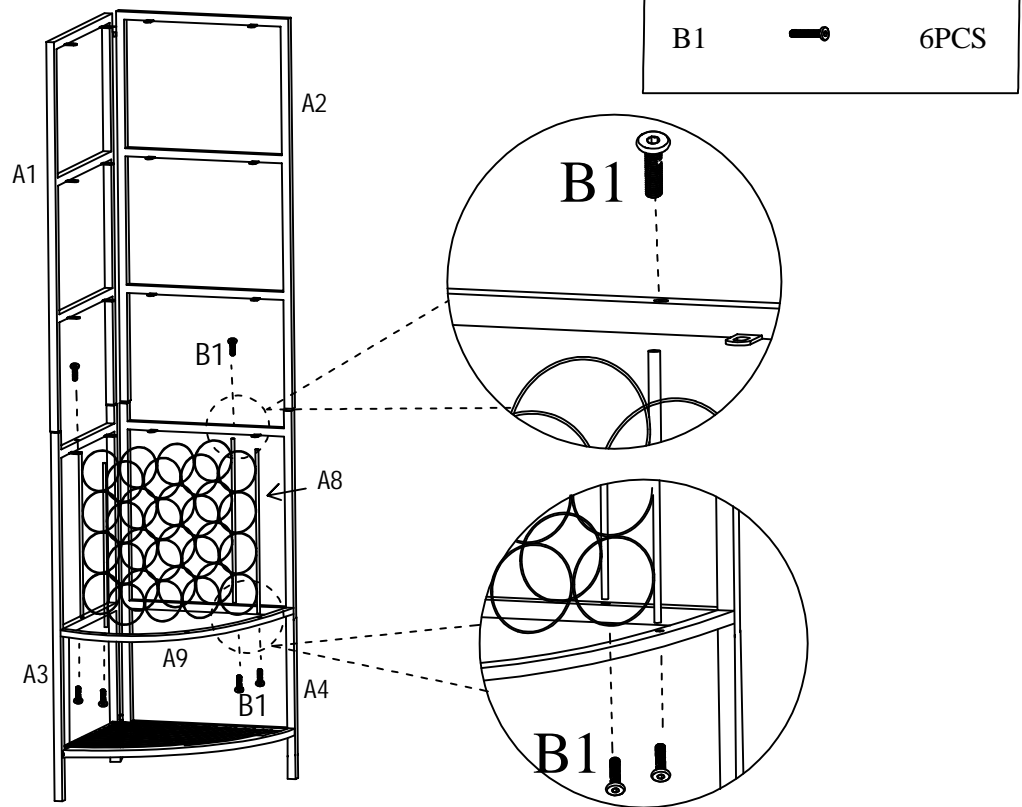
Step 3:



Assemble Support Bar A9 and Metal Wire Net A10 to Lower Side Frames A3 & A4 using Bolts B1 .

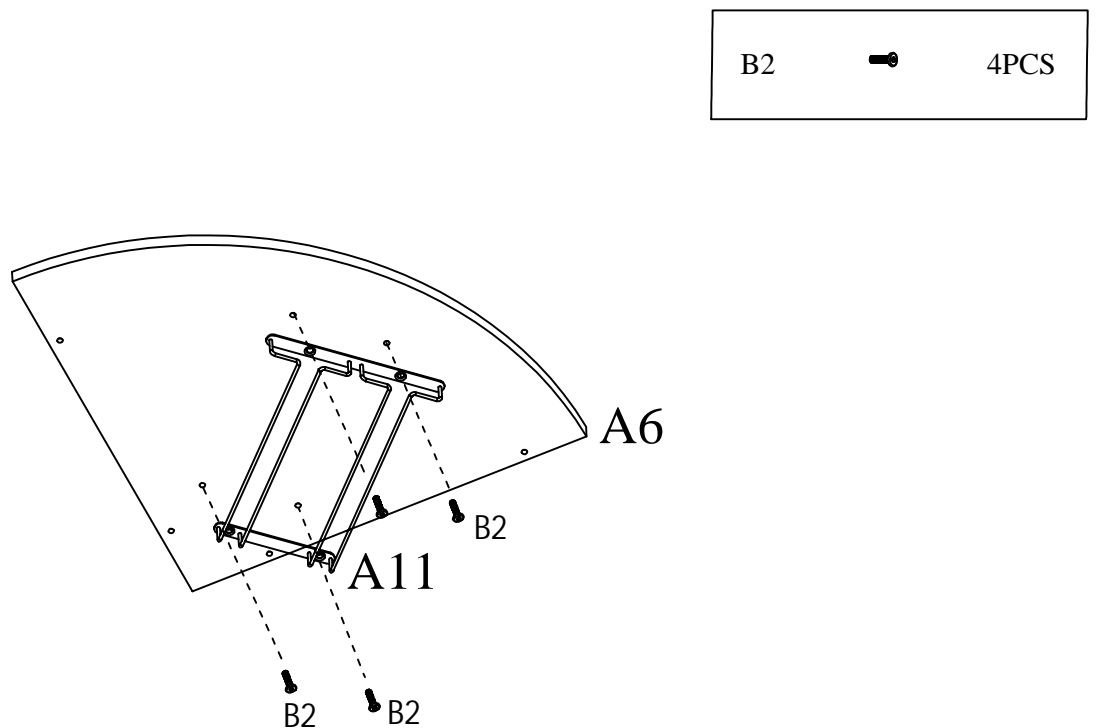
Do not tighten bolts B1 until Step 7.

Step 4:



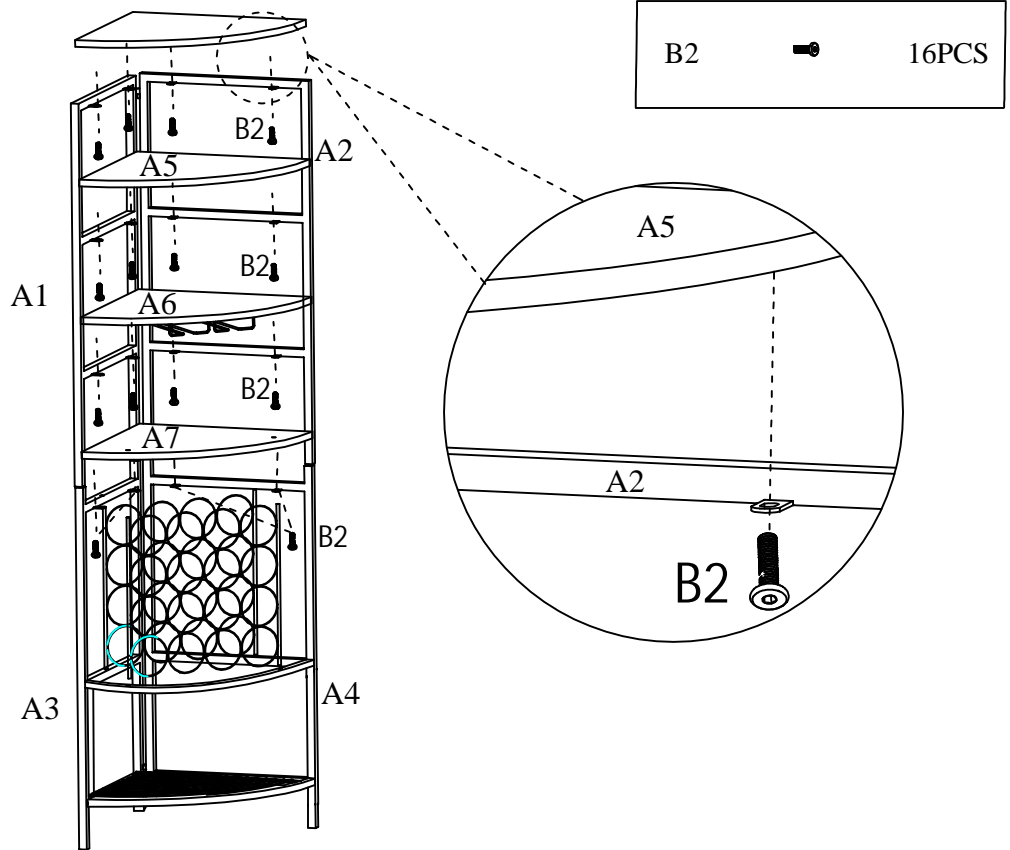
Assemble Wine Racks A8 to Support Bar A9 and Lower Side Frames A3 & A4 using Bolts B1 .

Step 5:



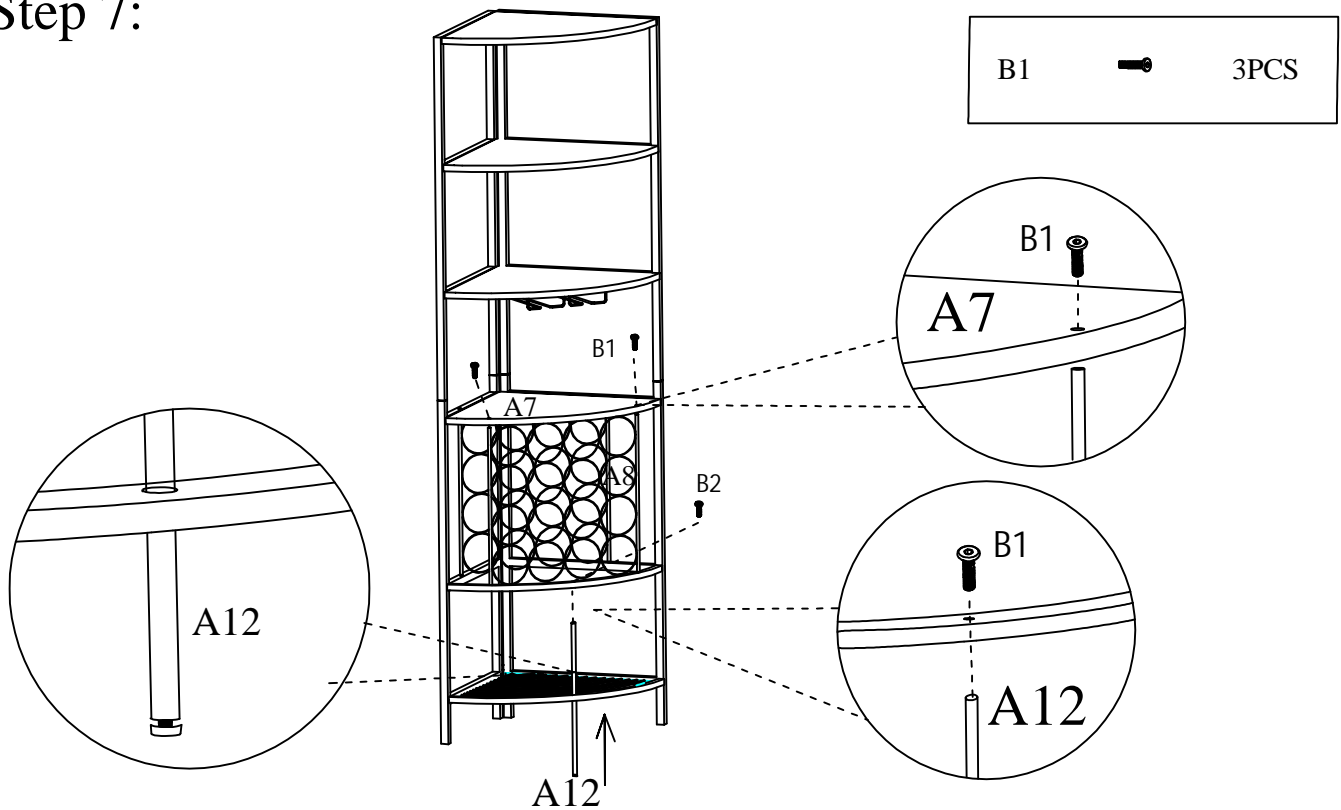
Assemble Cup Holder A11 to the bottom of Center Shelf A6 using Bolts B2 as shown above.

Step 6:



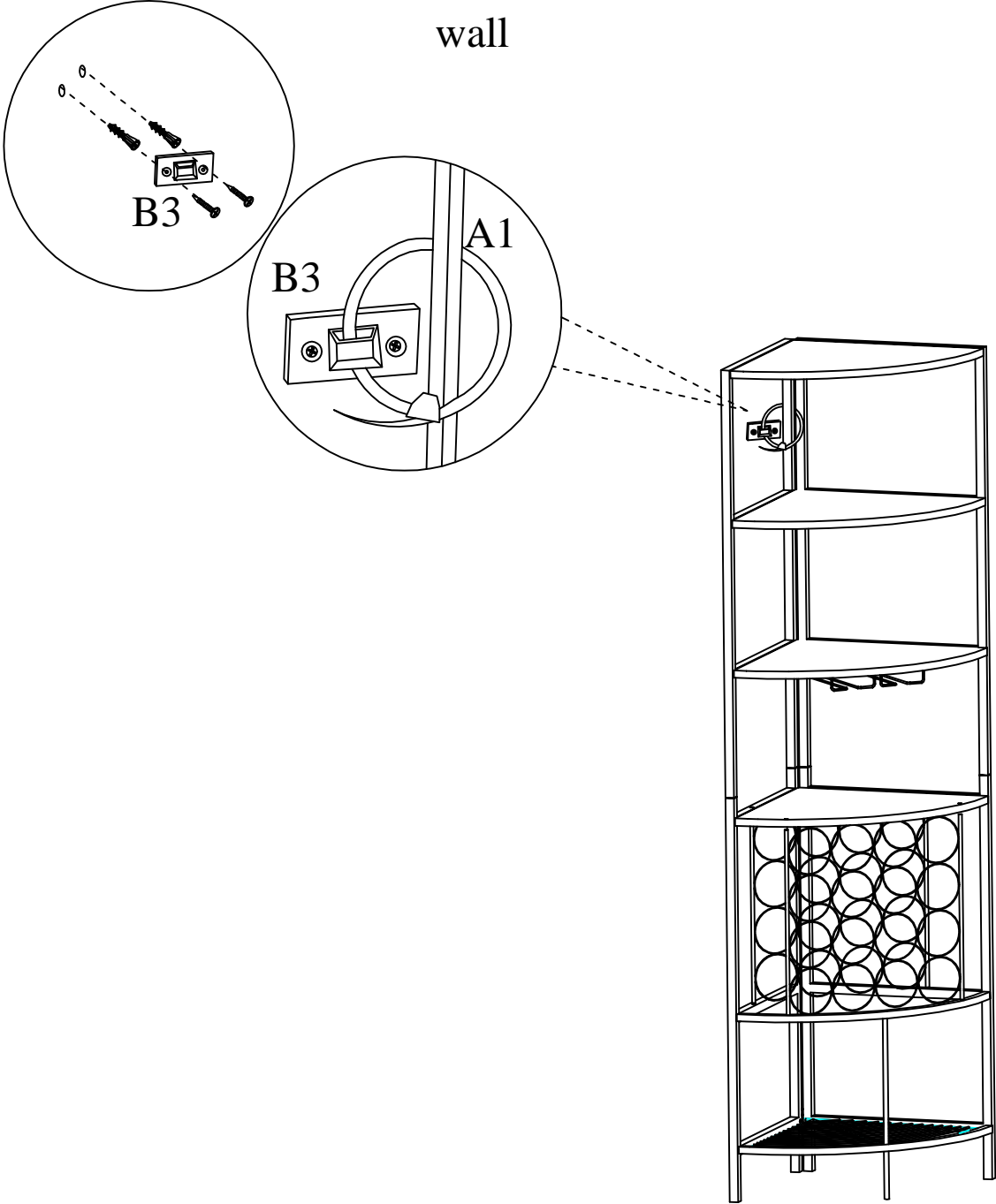
Place unit on the floor or on flat surface and check if it is stable before tightening all bolts.
Then assemble Shelves A5 & A6 & A7 to Side Frames A1 & A2 & A3 & A4 using Bolts B2 as shown above.

Step 7:



Tighten the front wine rack A8 to Shelf A7 using Bolts B1, then assemble the support leg A12 to Support Bar A9 using Bolts B1.

Step 8:



For your safety, please attach rack to the wall by Anti-tip Kit B3 as shown above.