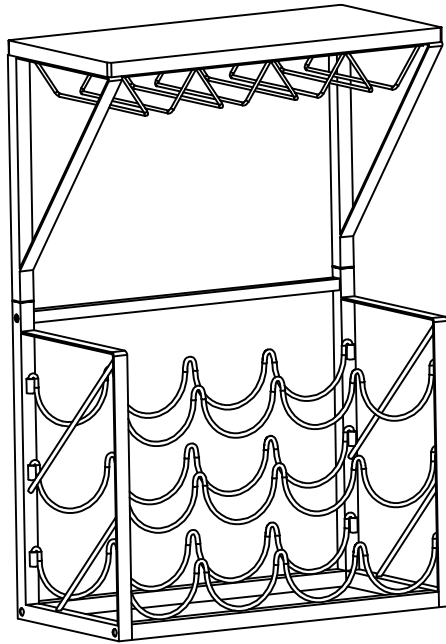


ASSEMBLY INSTRUCTIONS


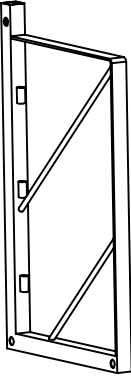

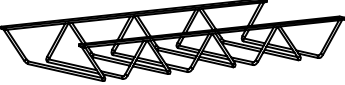



Style # WR1436 Wine Rack








NOTE TO CUSTOMERS:

- For ease and speed of assembly we recommend that before you commence each step of the assembly that you identify all the parts required to complete that step.
- We recommend that where possible you allow sufficient space to assemble the item as close as possible to the place where it will be once assembled.
- For the protection of your furniture we recommend that the product is placed on protected surfaces during assembly to prevent any damage.
- During assembly do not over tighten, as this may damage the product.
- Please ensure you retain all the product packaging until the item completely assembled.
- Please periodically check all fittings and re-tighten as necessary.
- It is recommended that this item should be assembled by two adults.

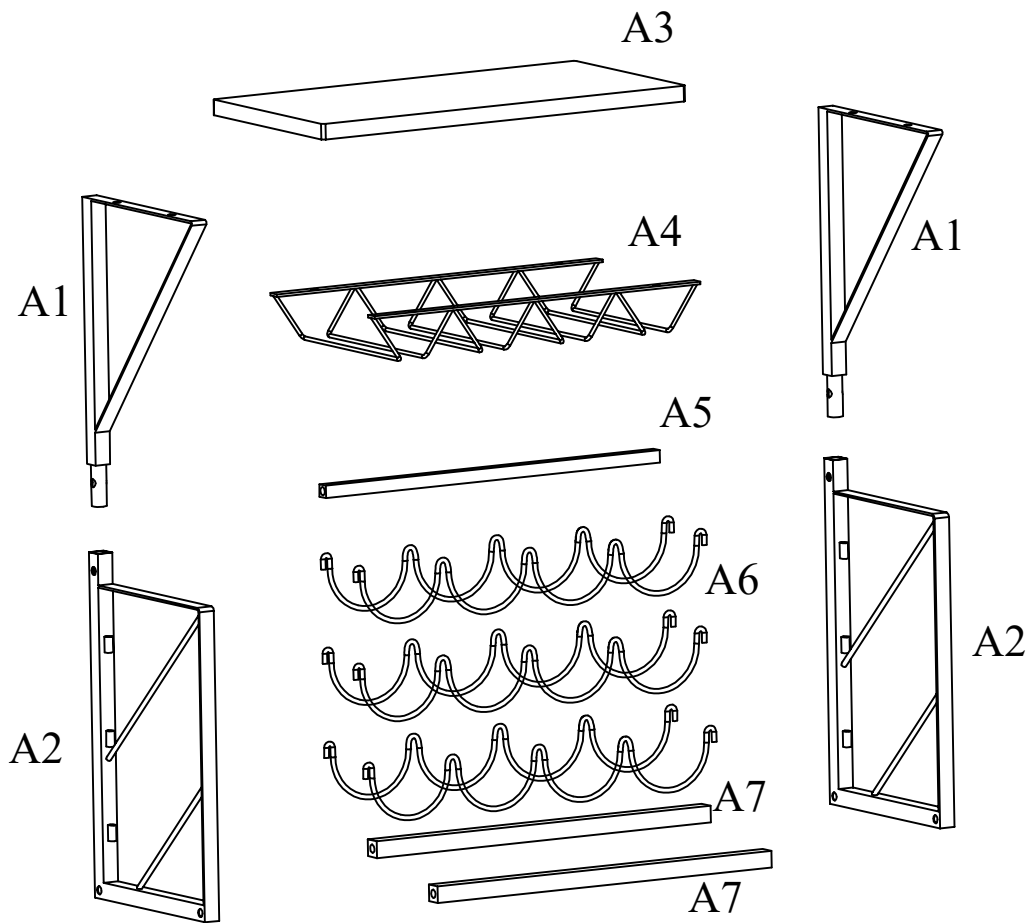
Part List

<p>A1</p> <p>Quantity of 2</p>  <p>Upper Side Frame</p>	<p>A2</p> <p>Quantity of 2</p>  <p>Lower Side Frame</p>	<p>A3</p> <p>Quantity of 1</p>  <p>Shelf</p>
<p>A4</p> <p>Quantity of 1</p>  <p>Cup Holder</p>	<p>A5</p> <p>Quantity of 1</p>  <p>Connect Bar</p>	<p>A6</p> <p>Quantity of 6</p>  <p>Wine Rack</p>
<p>A7</p> <p>Quantity of 2</p>  <p>Connect Bar</p>		

Hardware List

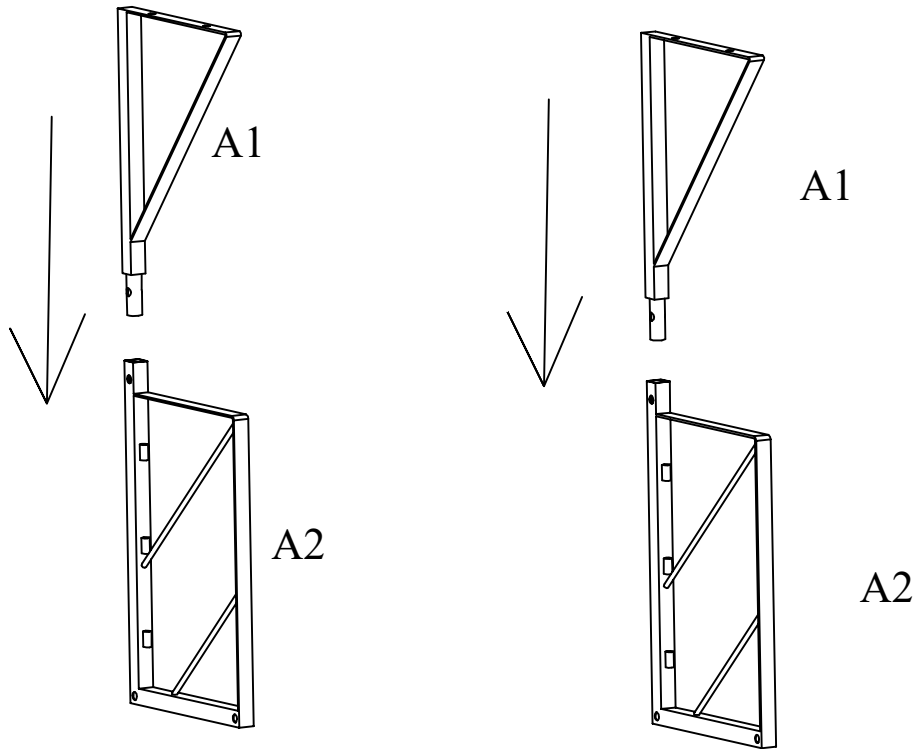
B1  1/4"*1"	Quantity of 6	B2  1/4"*0.375"	Quantity of 4	B3  Quantity of 4	B4  Quantity of 2
 Allen Wrench					

Part List

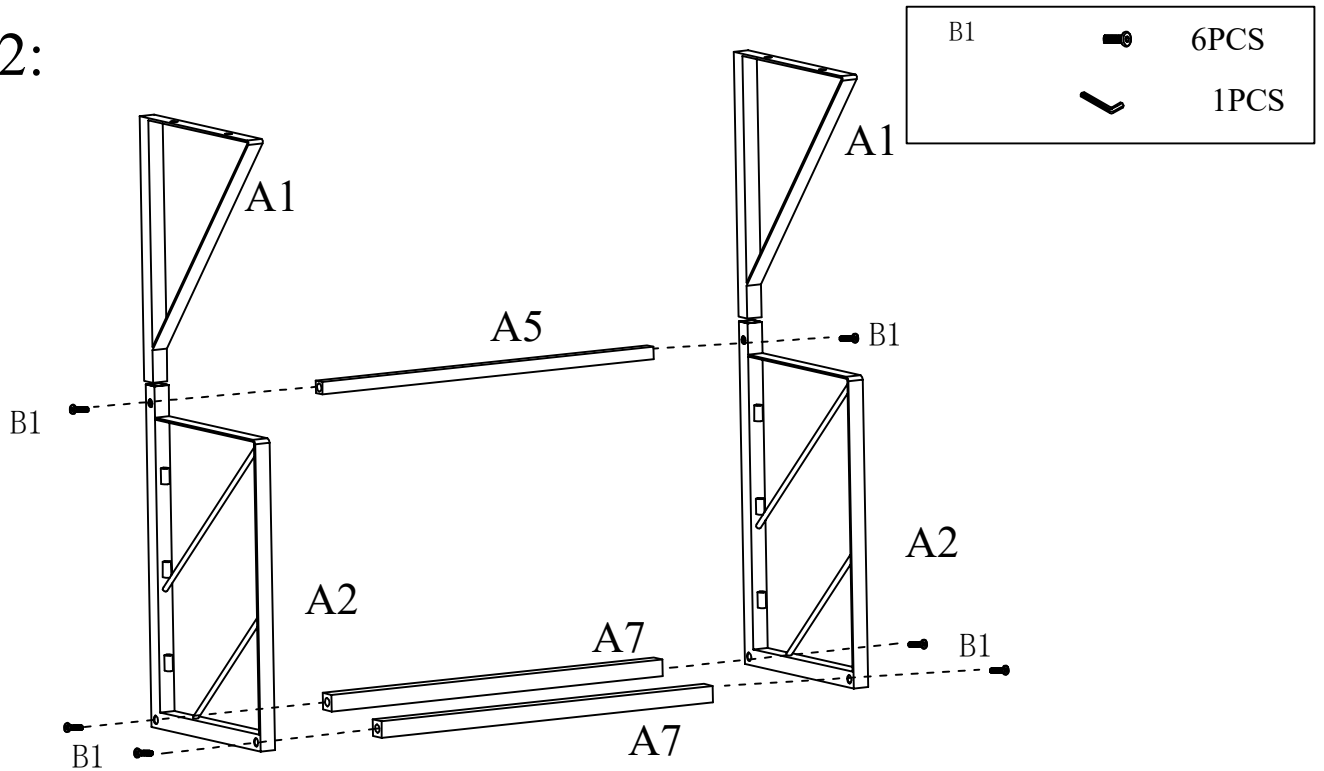


Assembly instructions

Step 1:



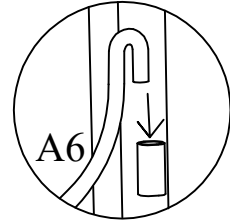
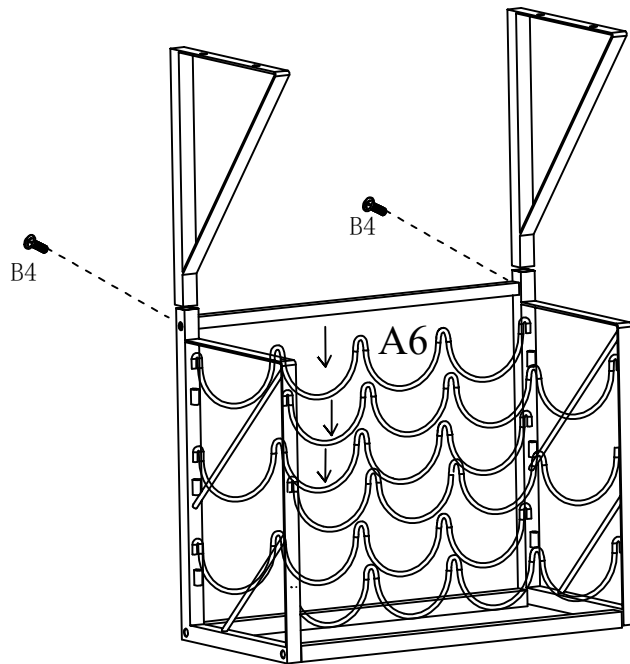
Step 2:



Please do not tighten bolts B1 until Step 5.



Step 3:

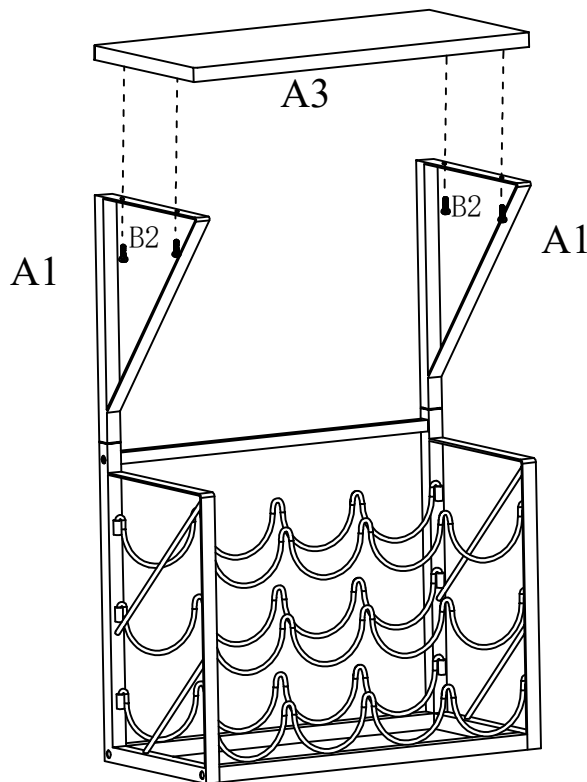
B4		2PCS
----	---	------



Please do not tighten bolts B1 until Step 5.

Step 4:

B2		4PCS
		1PCS



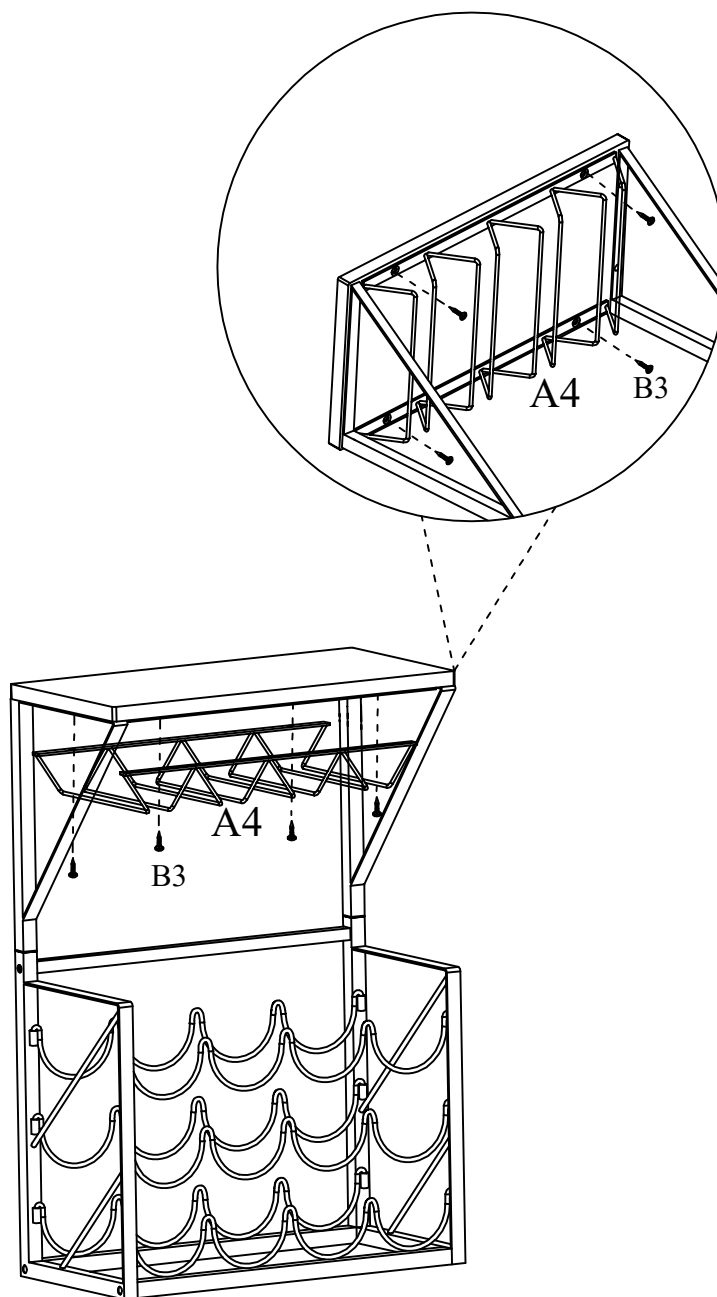
Please do not tighten bolts B1 until Step 5.

Step 5:

B4



4PCS



Place this unit on the table to check if it is stable before tighten all bolts as this point.