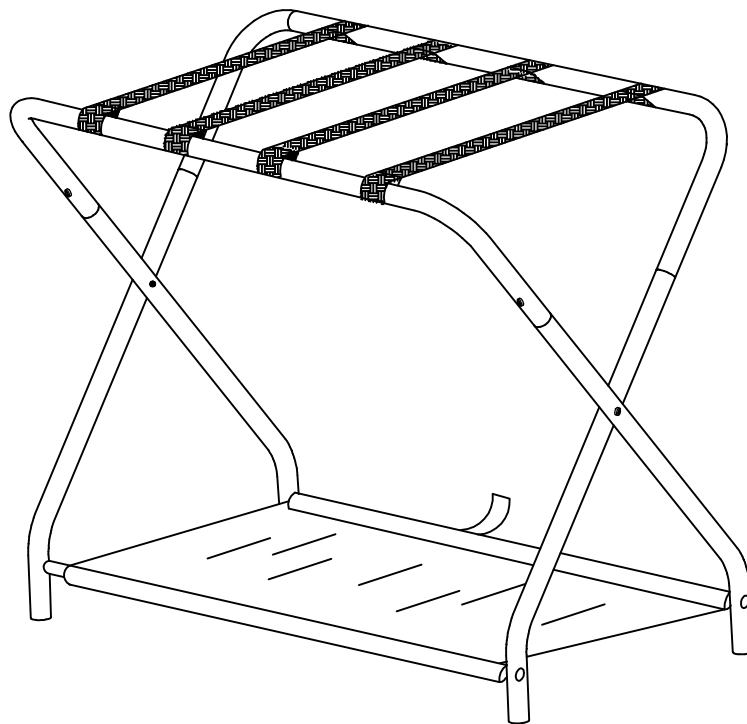


ASSEMBLY INSTRUCTIONS

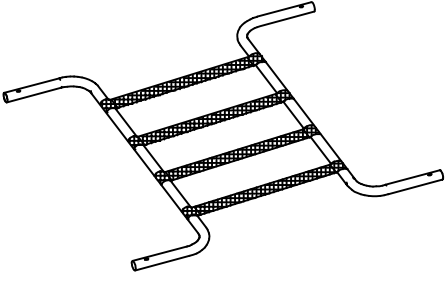
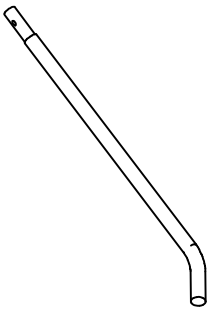
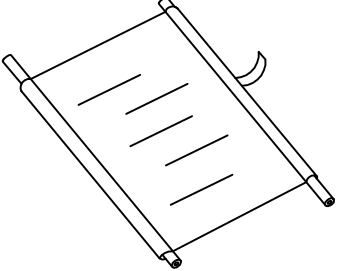
Style# LRK167 Luggage Rack









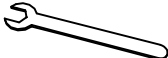
NOTE TO CUSTOMERS:

- For ease and speed of assembly we recommend that before you commence each step of the assembly that you identify all the parts required to complete that step.
- We recommend that where possible you allow sufficient space to assemble the item as close as possible to the place where it will be once assembled.
- For the protection of your furniture we recommend that the product is placed on protected surfaces during assembly to prevent any damage.
- During assembly do not over tighten, as this may damage the product.
- Please ensure you retain all the product packaging until the item completely assembled.
- Please periodically check all fittings and re-tighten as necessary.
- Never allow any liquids to remain on your furniture as absorption can cause the wood to warp or the finish to de-laminate.
- It is recommended that this item should be assembled by two adults.

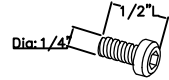
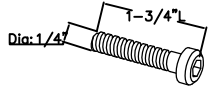
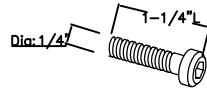
Part List

<p>A1. Quantity of 1</p>  <p style="text-align: center;">Upper Frame with belt</p>	<p>A2. Quantity of 4</p>  <p style="text-align: center;">Lower leg</p>	<p>A3. Quantity of 1</p>  <p style="text-align: center;">Shelf</p>
--	--	--

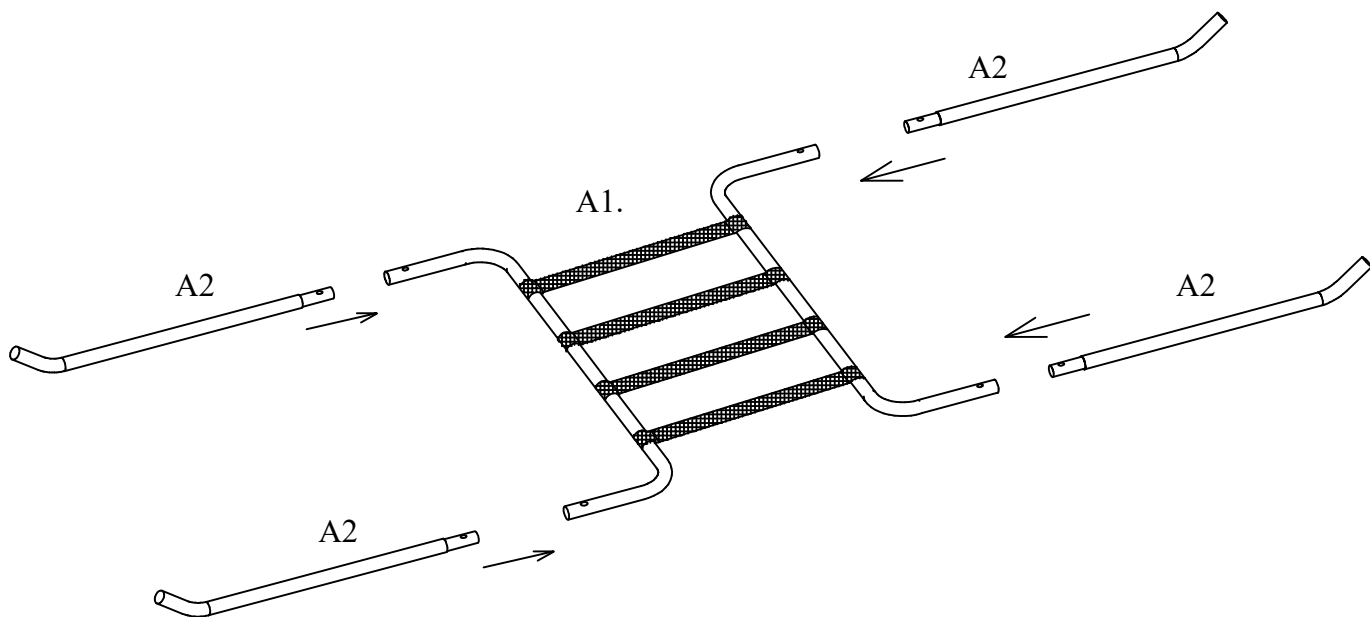
Hardware List

<p>B1. Quantity of 4</p>  <p>Bolt</p>	<p>B2. Quantity of 2</p>  <p>Bolt</p>	<p>B3. Quantity of 2</p>  <p>Screw</p>	<p>B4. Quantity of 2</p>  <p>Washer</p>
<p>B5. Quantity of 4</p>  <p>Bolt</p>	 <p>Allen Wrench</p>	 <p>Open Wrench</p>	

APPENDIX: Dimension of Hardwares in this AI.


<p>B1.</p> 	<p>B2.</p> 	<p>B5.</p> 
--	--	--

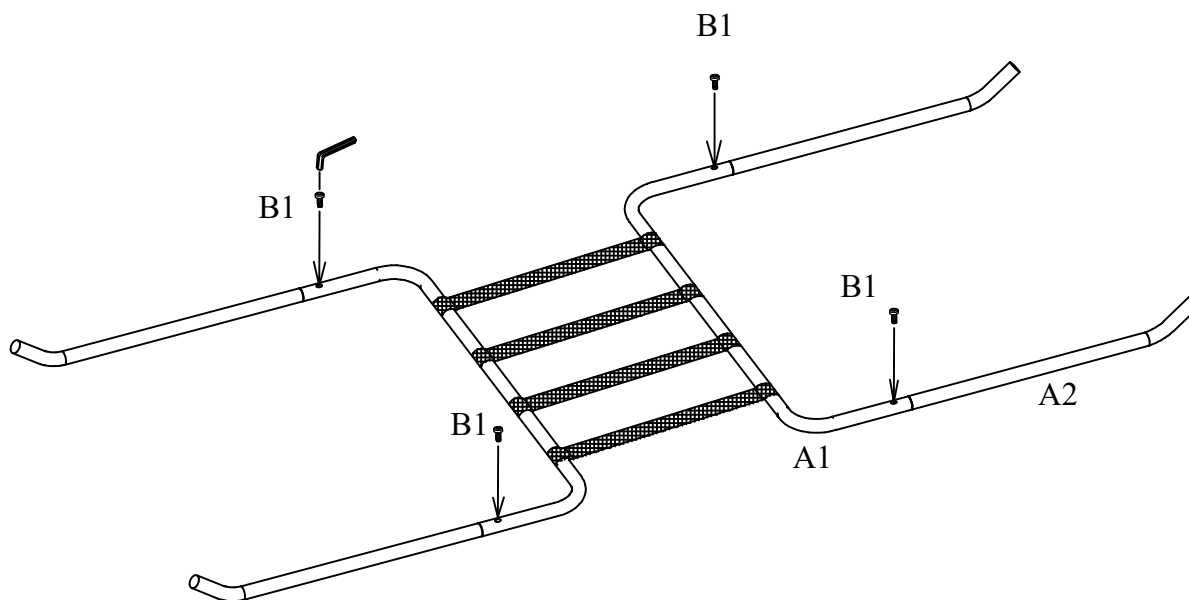
STEP 1



Insert Lower Legs A2 into Upper Frame A1 as shown above.

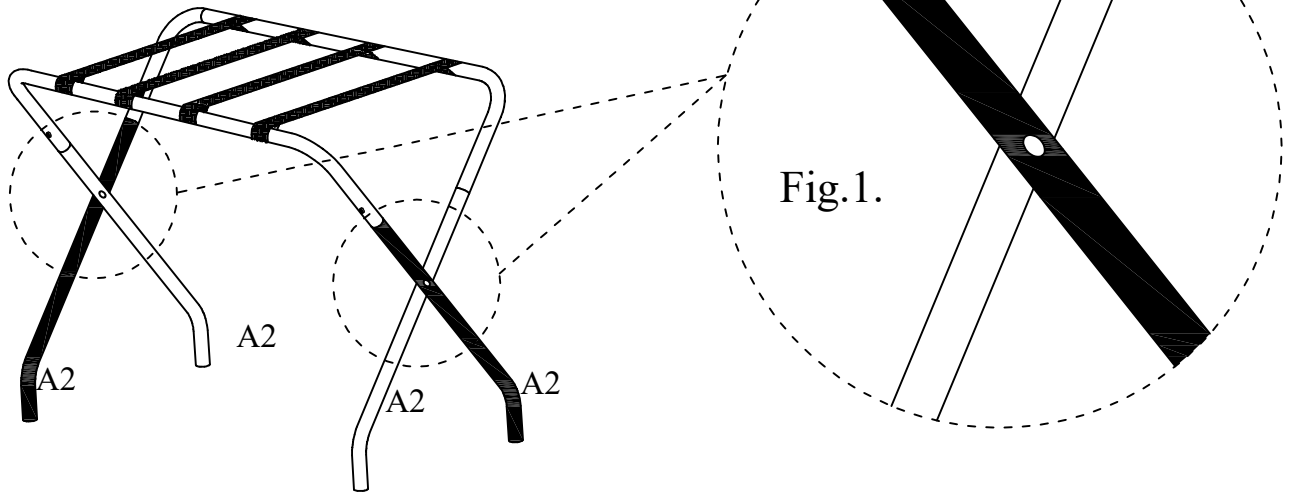
STEP 2

B1  4pcs






Tighten Lower Legs A2 to Upper Frame A1 using Bolts B1 as shown above.
Please do not tighten bolts B1 until step 5.

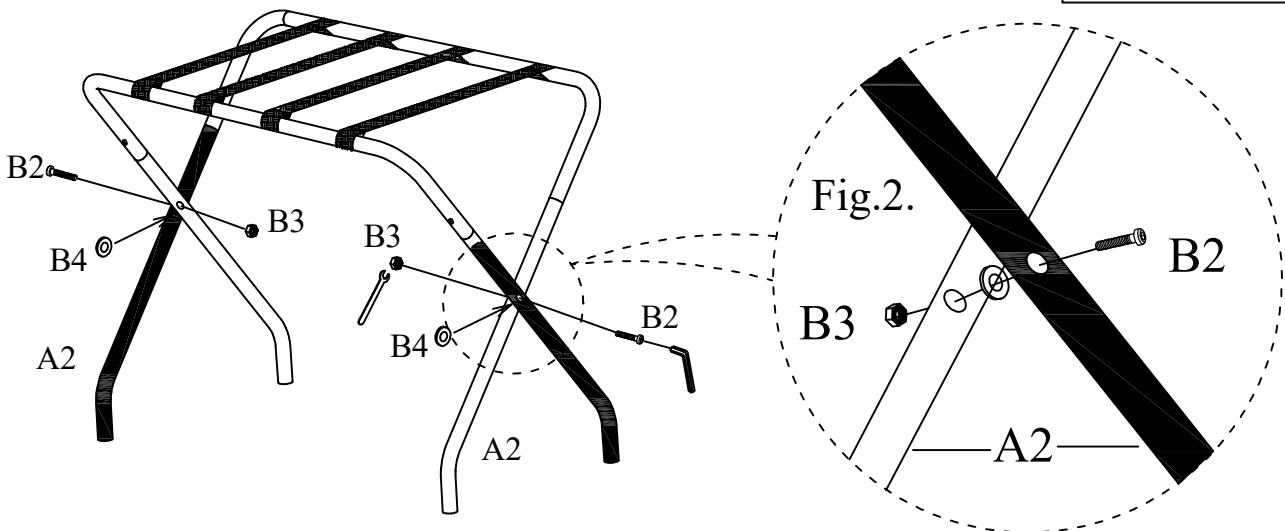
STEP 3



Cross assembled legs A2 refer Fig.1.

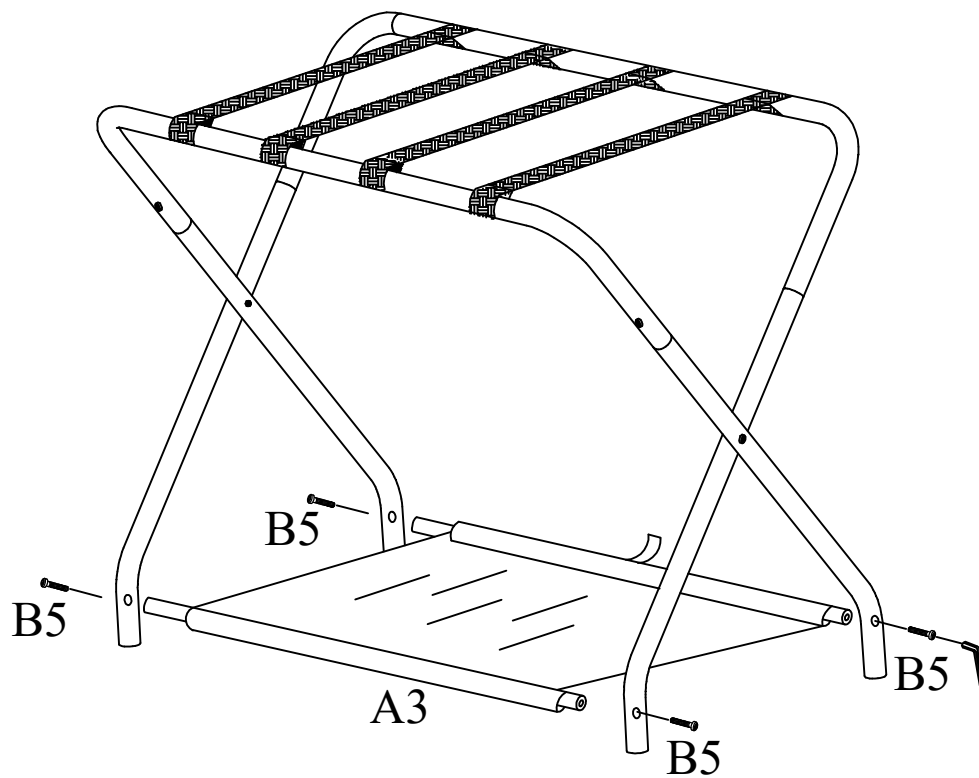
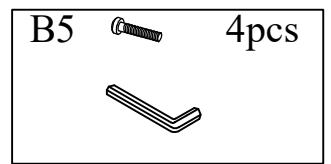
STEP 4

B2		2pcs
B3		2pcs
B4		2pcs



Assembled Legs A2 using Bolts B2, Washers B4 & Nuts B3 as shown above, please ensure washer B4 is inserted between legs A2, refer to Fig.2 (tighten bolts 90% at this point).

STEP 5



Assemble Shelf A3 to Legs A2 using Bolt B5 as shown above.
Place the rack on the floor and check if it is stable before tightening bolts B1.