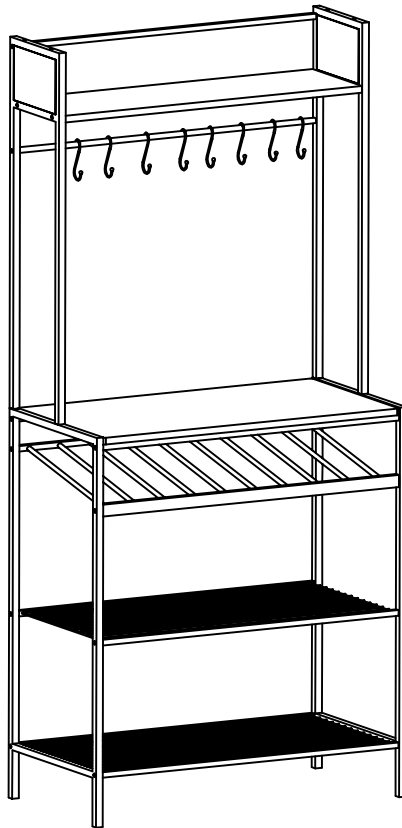


# ASSEMBLY INSTRUCTIONS

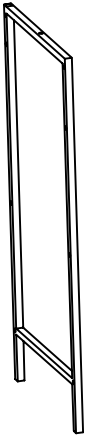
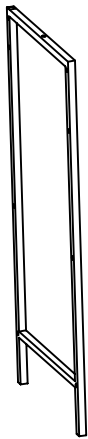

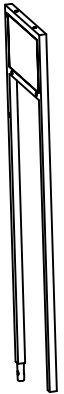
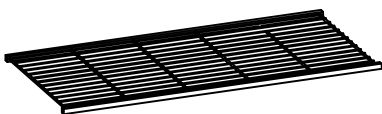
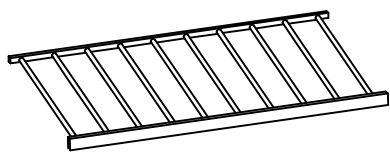
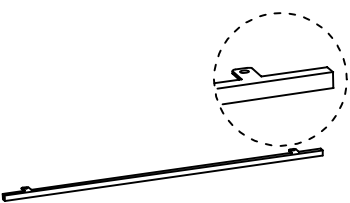
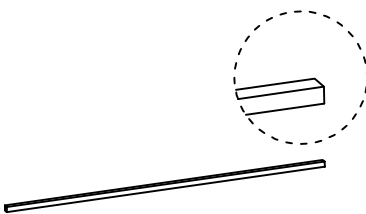
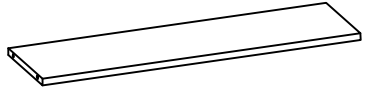
Style # K3029 &K3031 &K3033 Baker's Rack



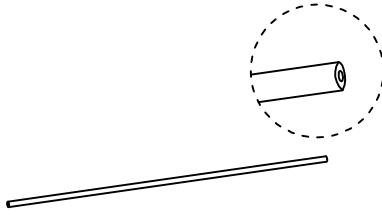
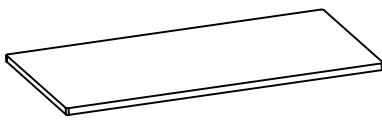

## NOTE TO CUSTOMERS:

- For ease and speed of assembly we recommend that before you commence each step of the assembly that you identify all the parts required to complete that step.
- We recommend that where possible you allow sufficient space to assemble the item as close as possible to the place where it will be once assembled.
- For the protection of your furniture we recommend that the product is placed on protected surfaces during assembly to prevent any damage.
- During assembly do not over tighten, as this may damage the product.
- Please ensure you retain all the product packaging until the item completely assembled.
- Please periodically check all fittings and re-tighten as necessary.
- It is recommended that this item should be assembled by two adults.






# Part List

<p>A1</p> <p>Quantity of 1</p>  <p>Lower Left Frame</p>	<p>A2</p> <p>Quantity of 1</p>  <p>Lower Right Frame</p>	<p>A3</p> <p>Quantity of 1</p>  <p>Upper Left Frame</p>
<p>A4</p> <p>Quantity of 1</p>  <p>Upper Right Frame</p>	<p>A5</p> <p>Quantity of 2</p>  <p>Wire Shelf</p>	<p>A6</p> <p>Quantity of 1</p>  <p>Shelf Frame</p>
<p>A7</p> <p>Quantity of 1</p>  <p>Center Connect Bar</p>	<p>A8</p> <p>Quantity of 1</p>  <p>Upper Connect Bar</p>	<p>A9</p> <p>Quantity of 1</p>  <p>Top Shelf Panel</p>

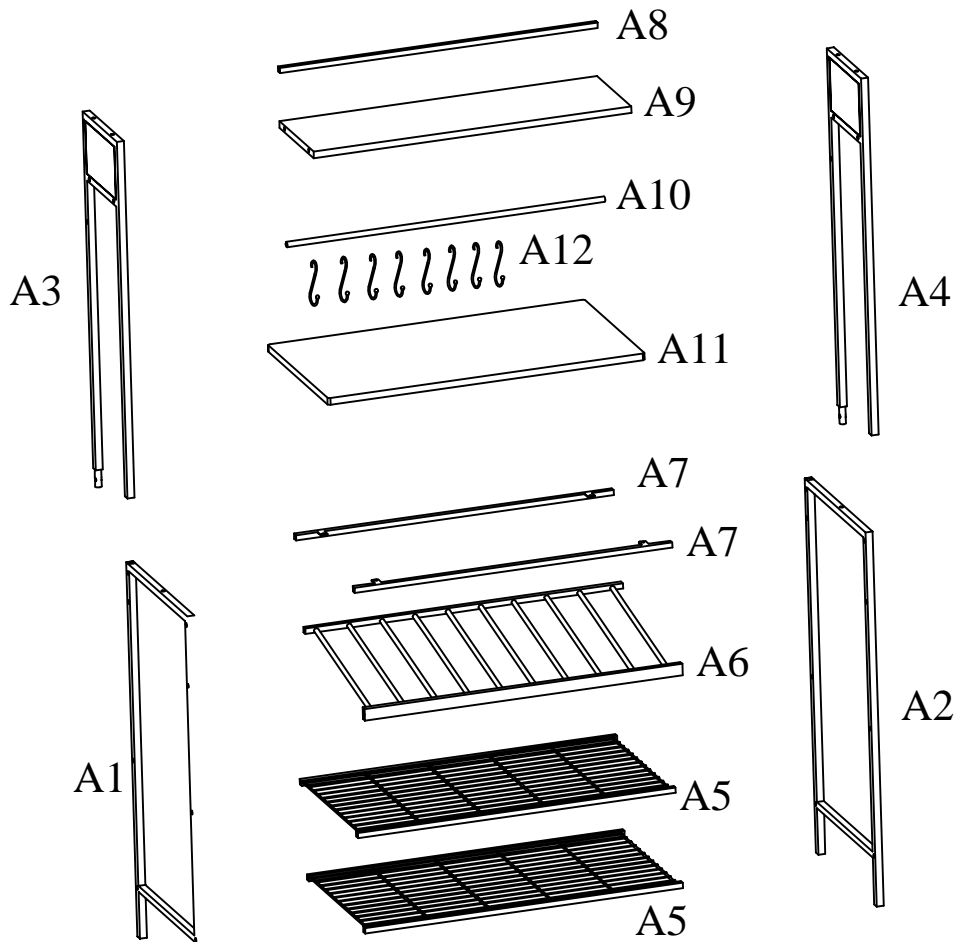
# Part List

<p><b>A10</b>                      Quantity of 1</p>  <p style="text-align: center;"><b>Front Connect Bar</b></p>	<p><b>A11</b>                      Quantity of 1</p>  <p style="text-align: center;"><b>Center Shelf Panel</b></p>	<p><b>A12</b>                      Quantity of 1</p>  <p style="text-align: center;"><b>Hook</b></p>
--	--	---

# Hardware List

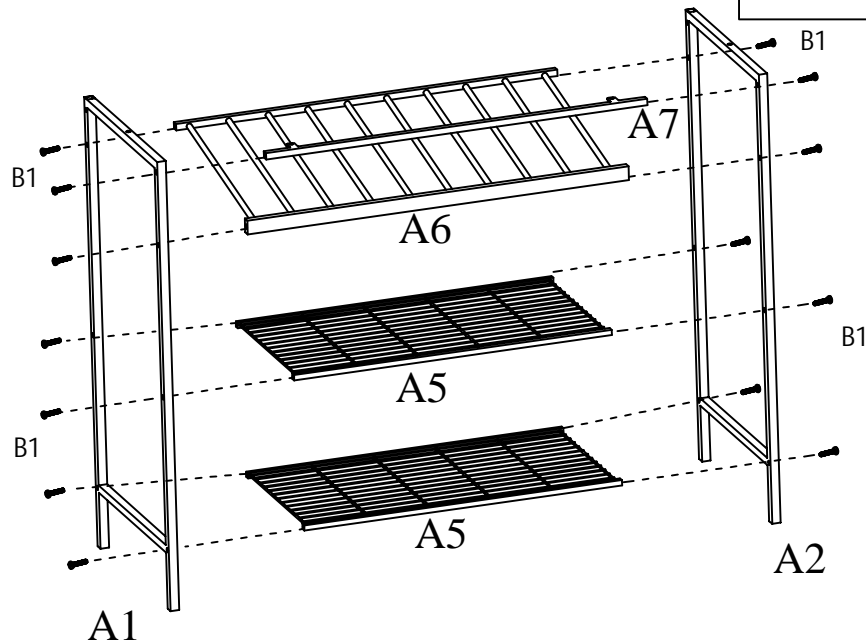
<p><b>B1</b>                      Quantity of 22</p>  <p style="text-align: center;"><math>\frac{1}{4}</math>"*1"</p> <p><b>Bolt</b></p>	<p><b>B2</b>                      Quantity of 4</p>  <p style="text-align: center;"><math>\frac{1}{4}</math>"*1.5"</p> <p><b>Bolt</b></p>	<p><b>B3</b>                      Quantity of 4</p>  <p style="text-align: center;"><b>Screw</b></p>	<p><b>B4</b>                      Quantity of 1</p>  <p style="text-align: center;"><b>Anti- Tip Kit</b></p>
 <p><b>Allen Wrench</b></p>			



# Part List



## Assembly Instruction

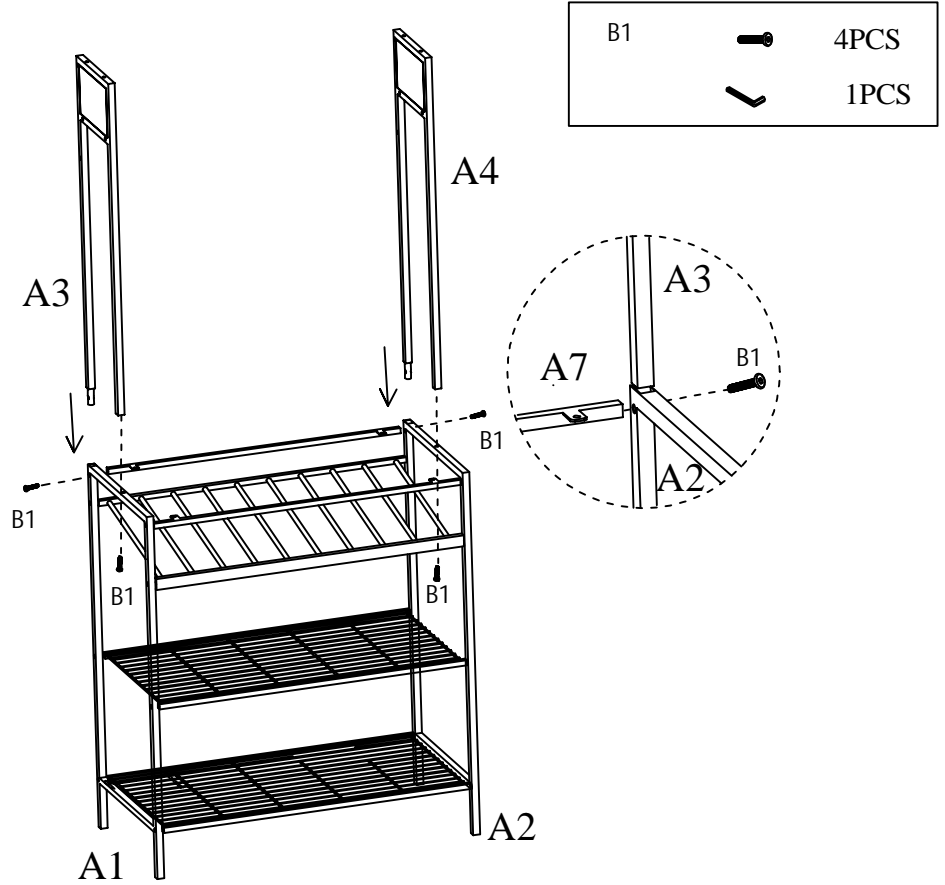
Step 1:



B1		14PCS
		1PCS

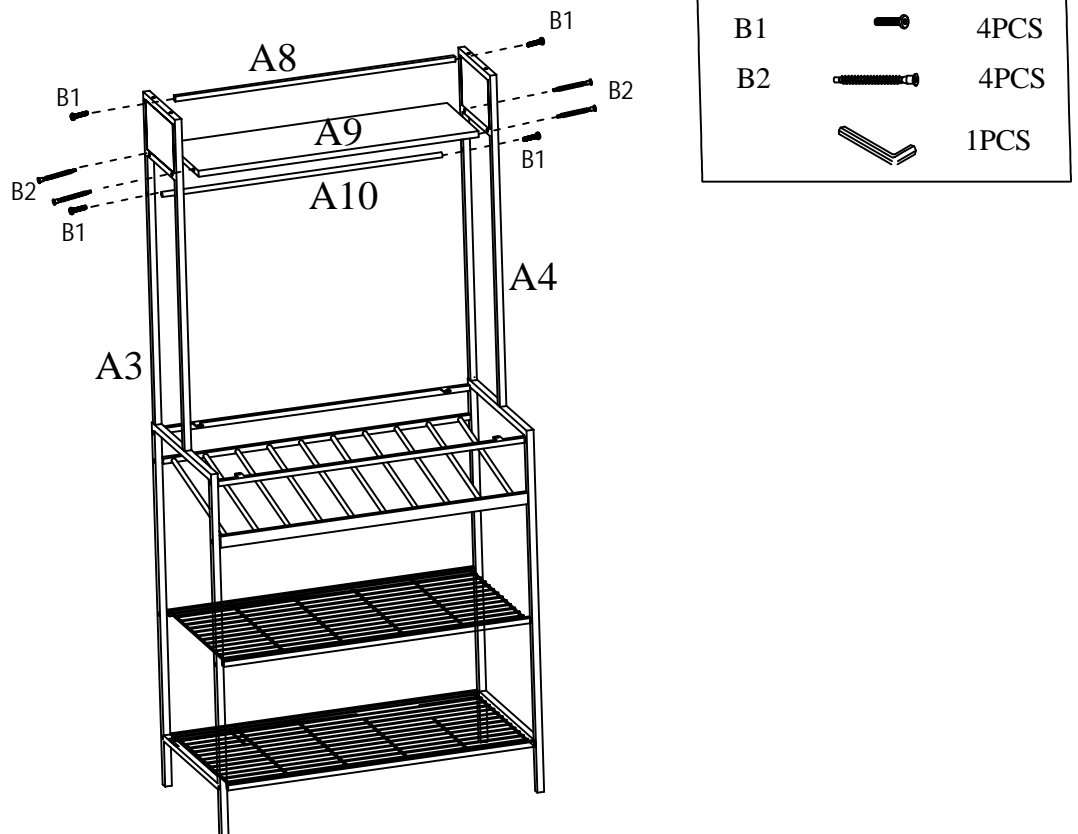
Please do not tighten bolts until Step 4.

## Step 2:



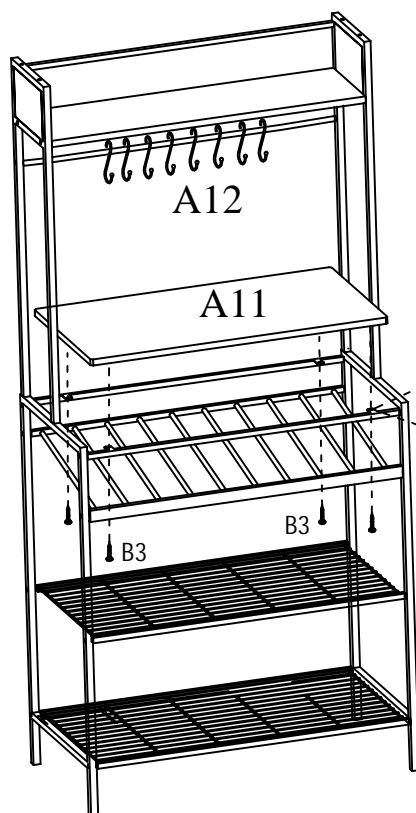
Please do not tighten bolts until Step 4.

## Step 3:



Please do not tighten bolts until Step 4.

## Step 4:



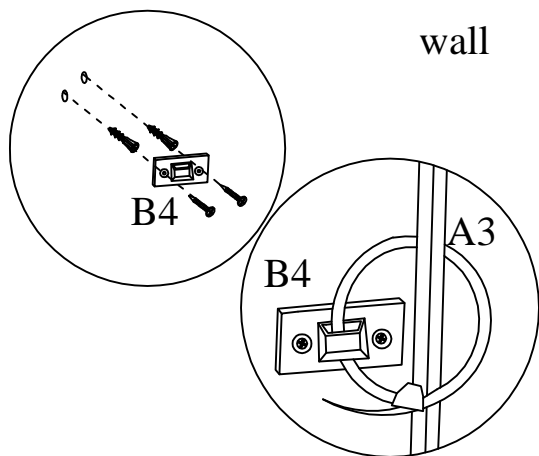
B3



4PCS

Assemble Center Shelf Panel A11 using Screws B3 as shown above.  
Then Place this rack on the floor to check if it is stable before tighten all bolts.

## Step 5:



wall

B4

B4

A3

A3

B4



1SET

For your safety, please  
attach this rack to the wall  
by Anti-tip Kit B4 as  
shown right.