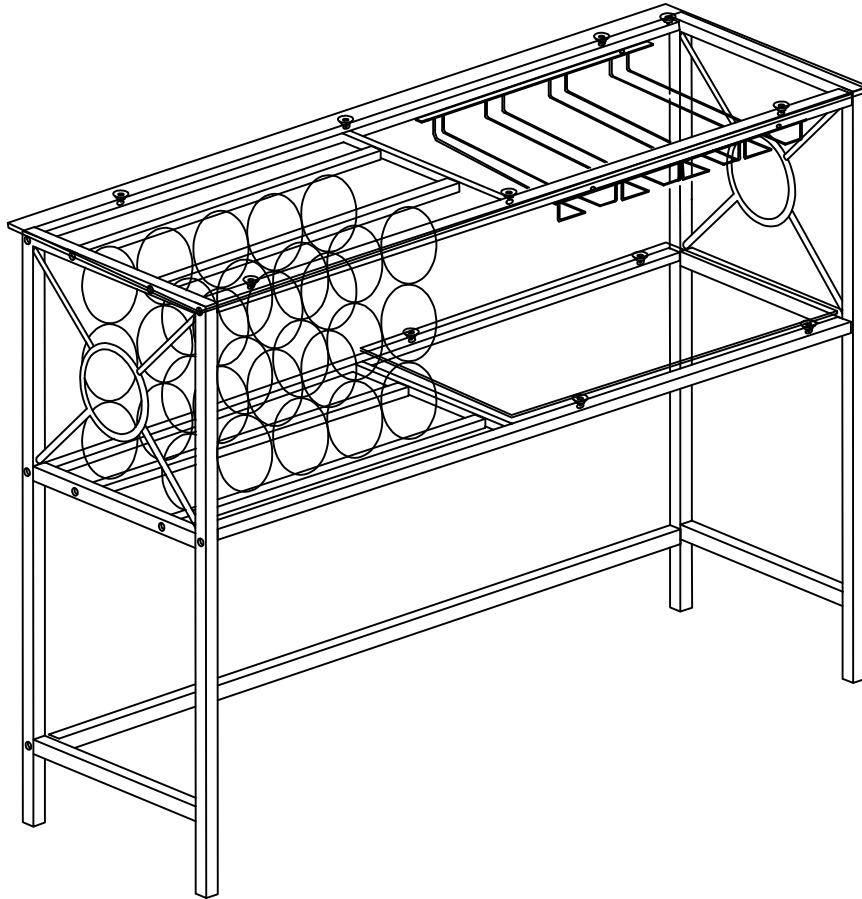


ASSEMBLY INSTRUCTIONS

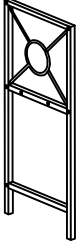
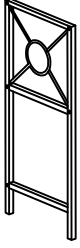
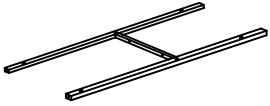
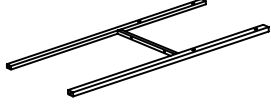

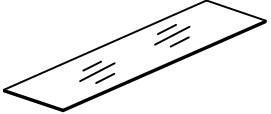
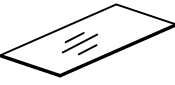
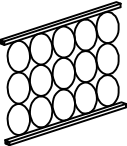
Style#C1315 Console Table






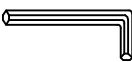
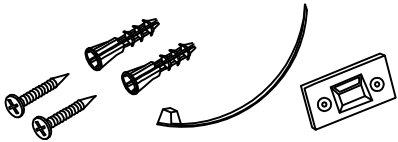
NOTE TO CUSTOMERS:

- For ease and speed of assembly we recommend that before you commence each step of the assembly that you identify all the parts required to complete that step.
- We recommend that where possible you allow sufficient space to assemble the item as close as possible to the place where it will be once assembled.
- For the protection of your furniture we recommend that the product is placed on protected surfaces during assembly to prevent any damage.
- During assembly do not over tighten, as this may damage the product.
- Please ensure you retain all the product packaging until the item completely assembled.
- Please periodically check all fittings and re-tighten as necessary.
- It is recommended that this item should be assembled by two adults.

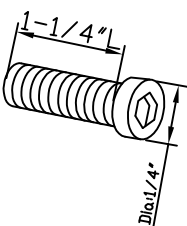
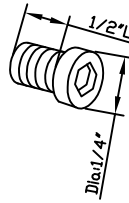
Part List

A1  Left Frame	1pc	A2  Right Frame	1pc	A3  Top Frame	1pc	A4  Middle Frame	1pc
A5  Connect Bar	1pc	A6  Top Glass	1pc	A7  Shelf Glass	1pc	A8  Wine Rack	2pcs

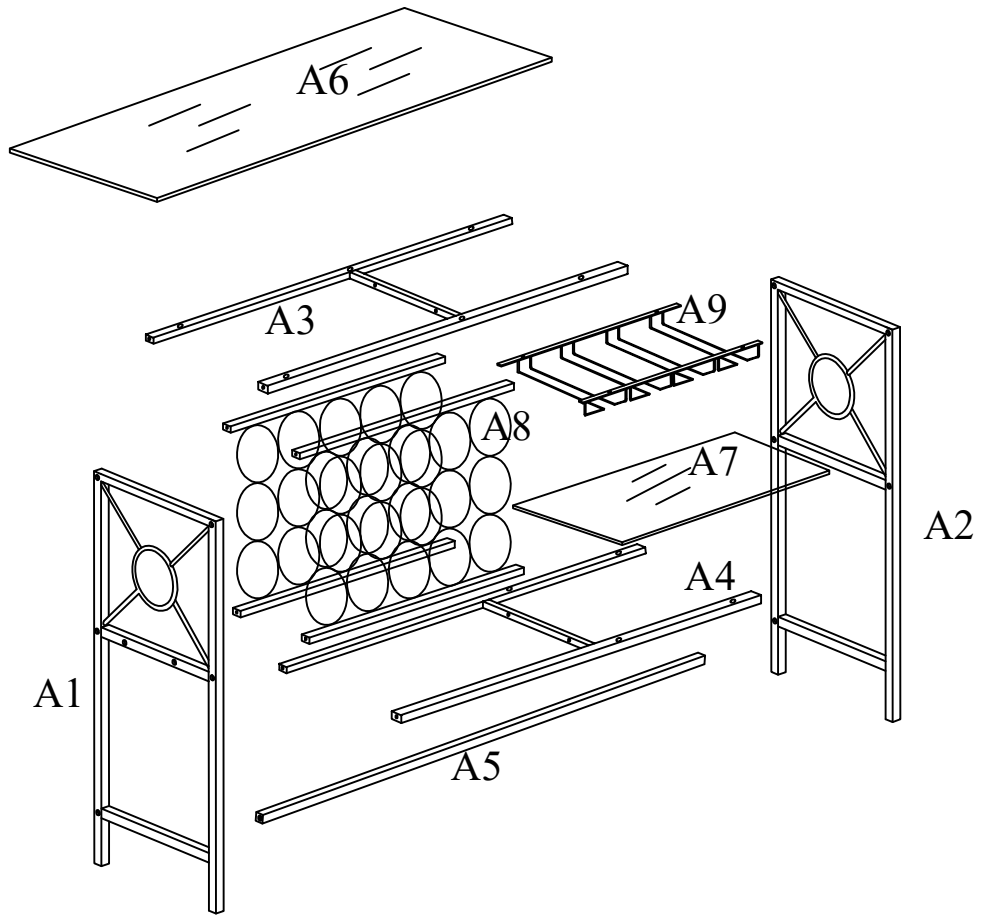
A9  Cup Holder	1pcs	<h2 style="text-align: center;">Hardware List</h2>			
--	------	--	--	--	--

B1  Bolt	18pcs	B2  Bolt	4pcs	B3  Cap	10pcs	B4  Allen Wrench	1pc
B5  Anti-tip kit 2SET							

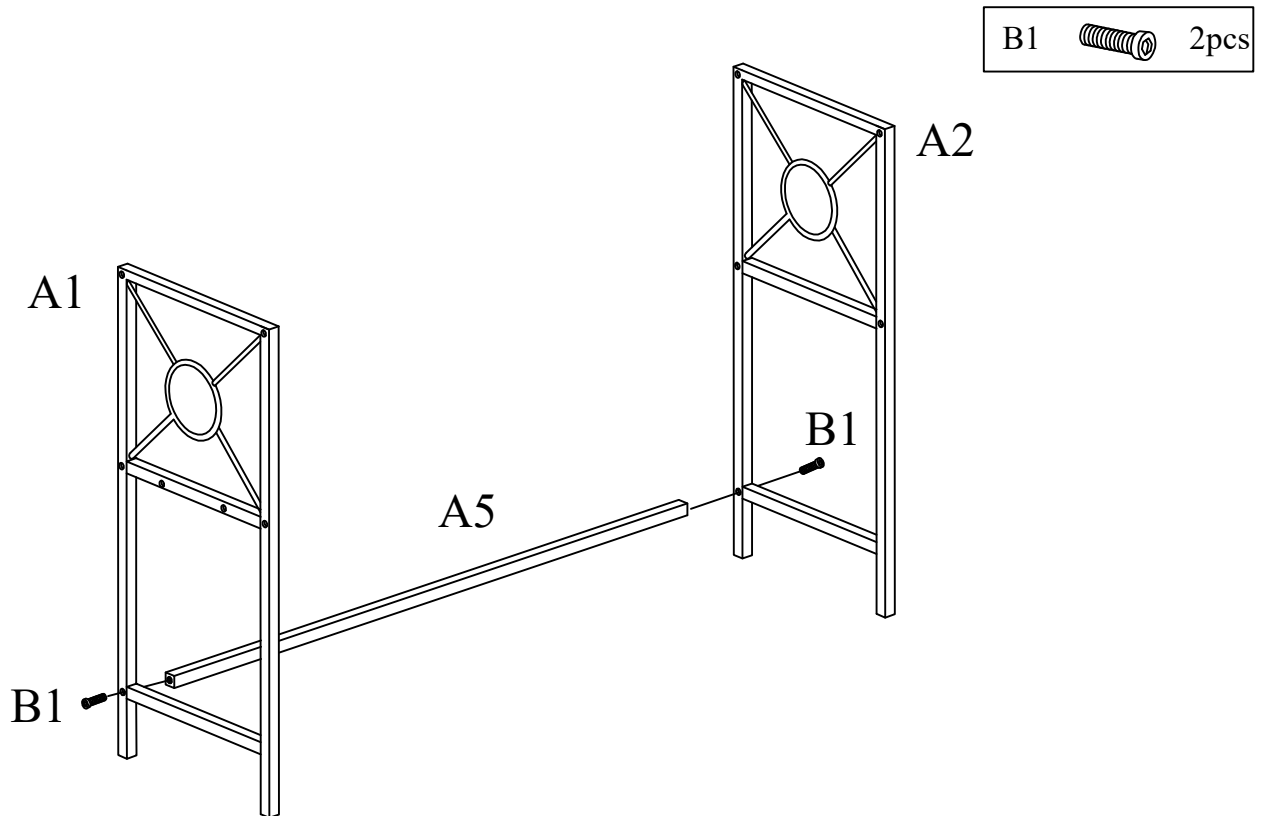
Appendix: Dimension of Hardwares In this AI

B1 	B2 
---	---

Part List

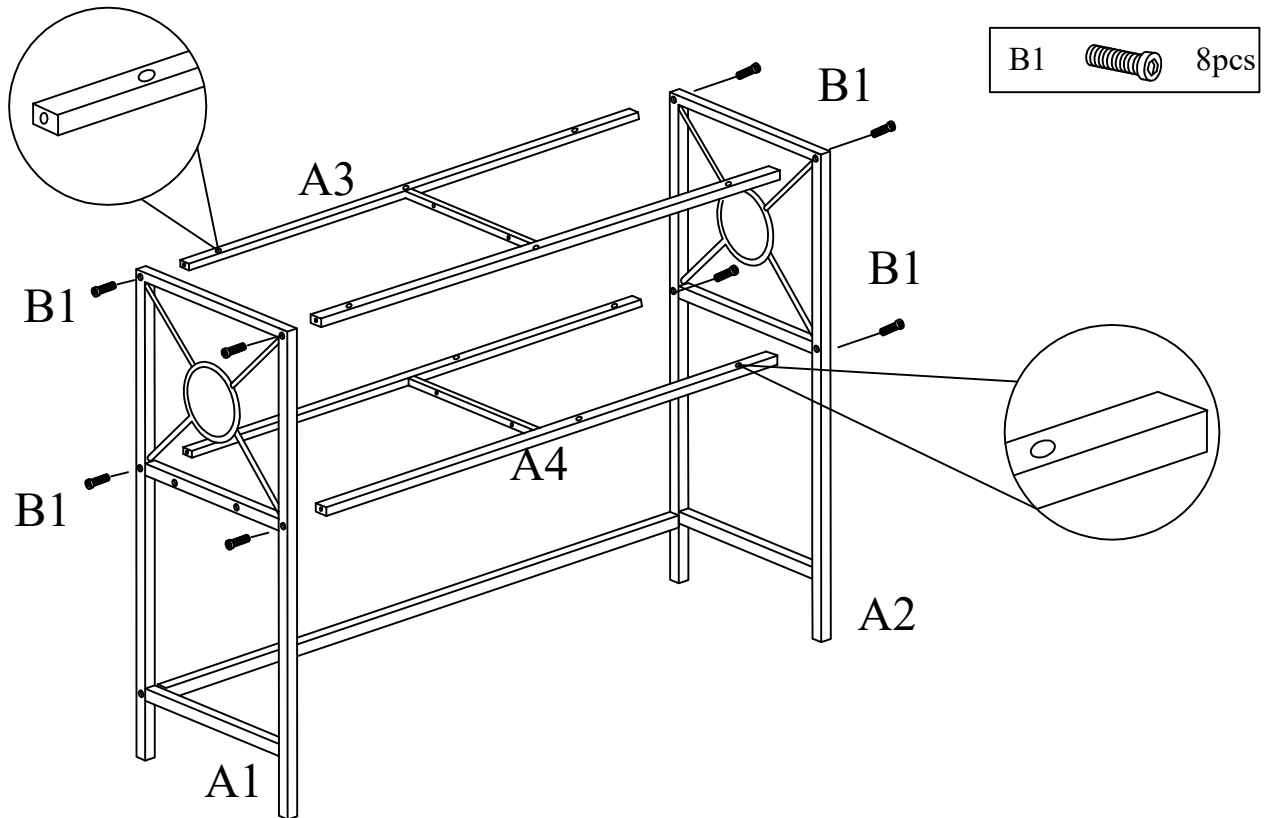


STEP 1



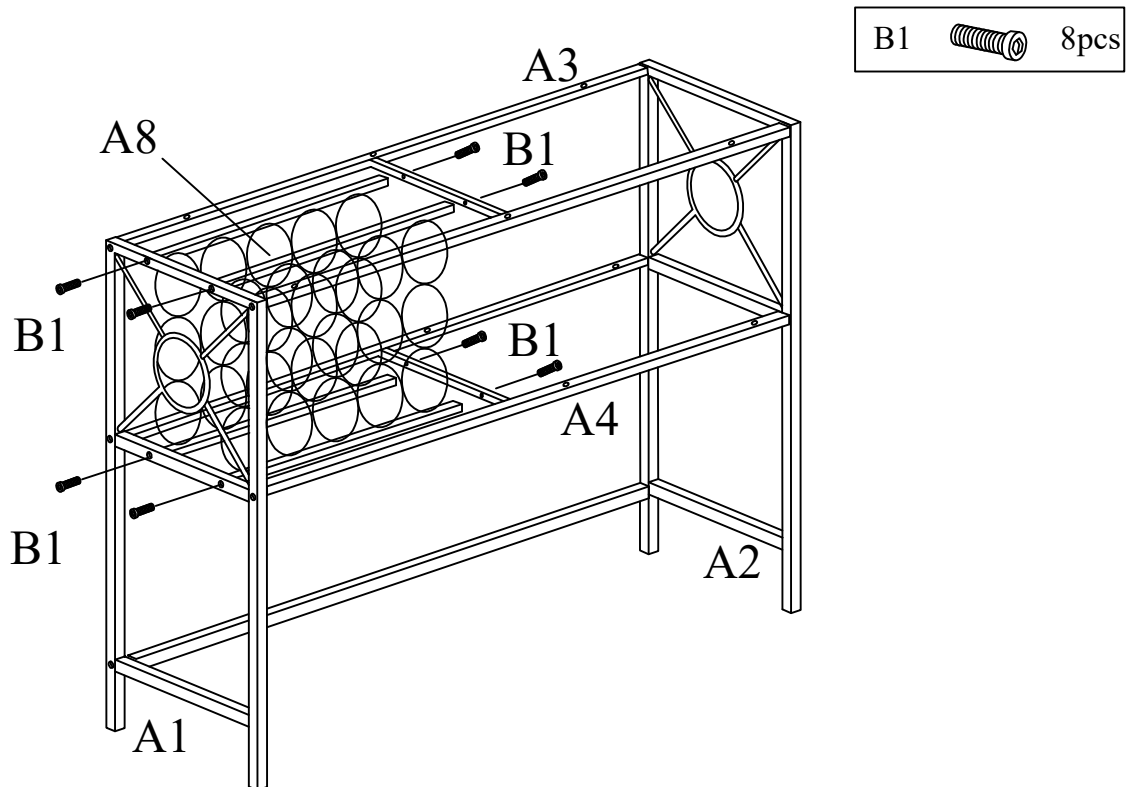
Assemble Connect Bar A5 to Side Frames A1 & A2 using Bolts B1.
Note: Please do not fully tighten bolts B1 until Step 5.

STEP 2



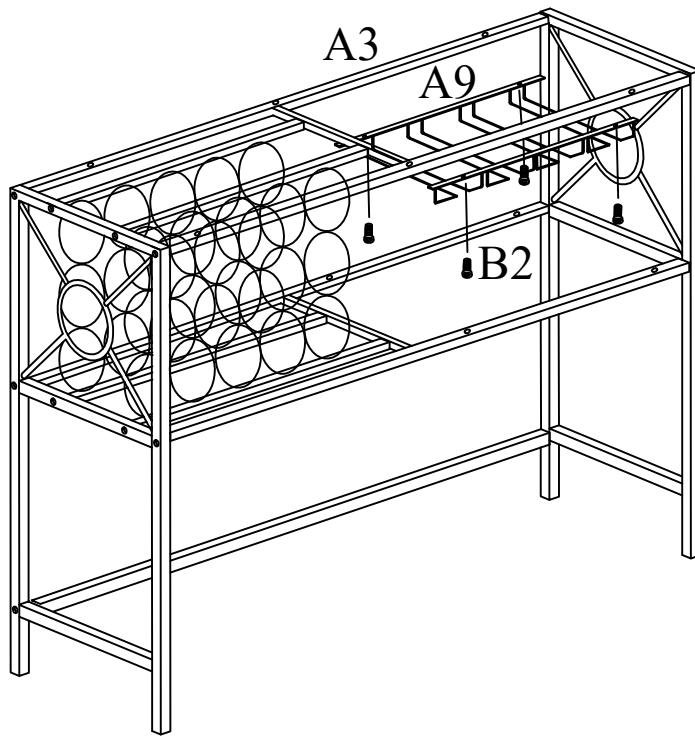
Assemble Middle Frame A4 and Top Frame A3 to Side Frames A1 & A2 using Bolts B1.
Note: Please do not fully tighten bolts B1 until Step 5.

STEP 3

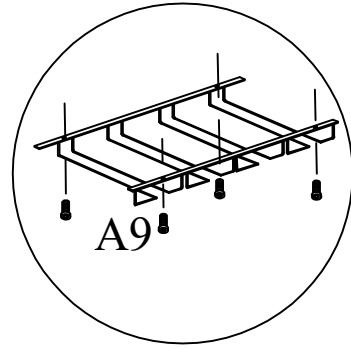


Assemble Wine Racks A8 to Left Frame A1, Middle Frame A4 and Top Frame A3 using Bolts B1.
Note: Please do not fully tighten bolts B1 until Step 5.

STEP 4

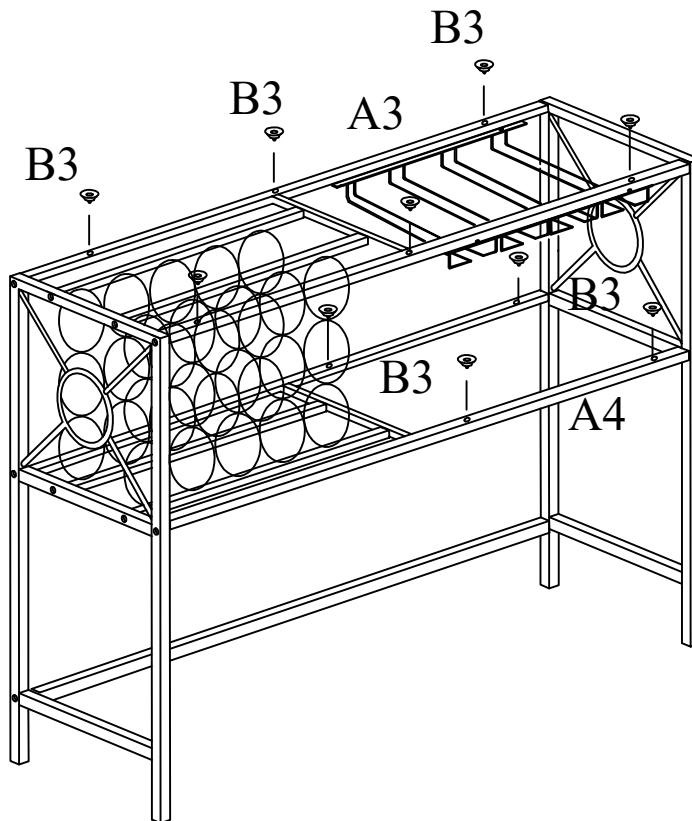


B2  4pcs



Assemble Cup Holder A9 to Top Frame A3 using Bolts B2.

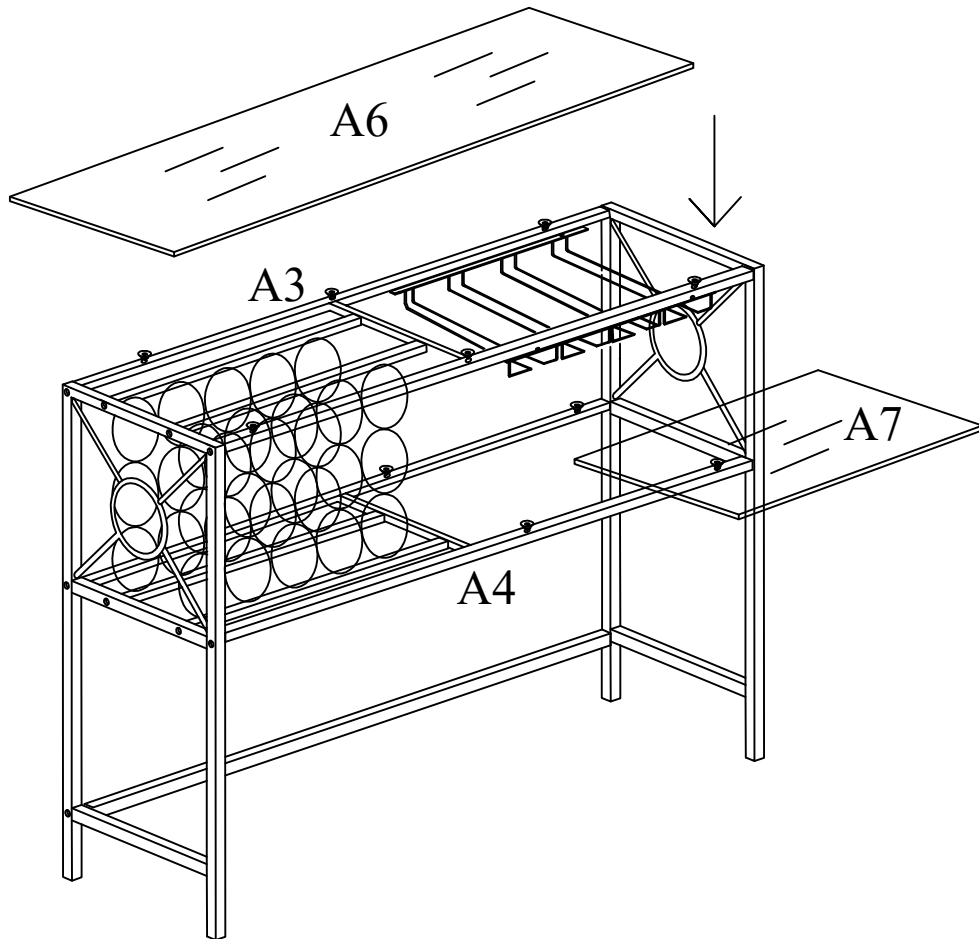
STEP 5



B3  10pcs

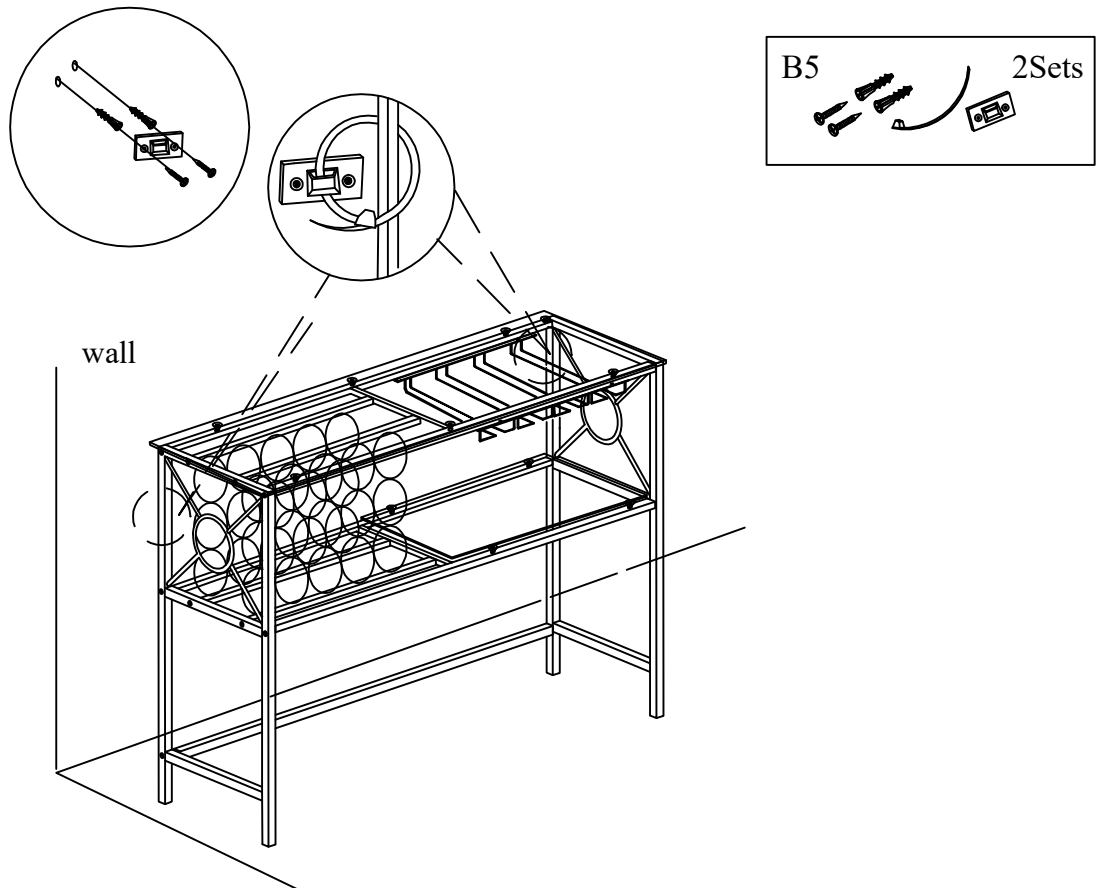
- 1). Place the table on the floor and check if it is stable, before t ightening all bolts.
- 2). Insert the caps B3 into the holes on Middle Frame A 4 & Top Frame A3 as shown above.

STEP 6



Place the glass shelf A7 onto the middle frame A4. Then place the top glass shelf A6 on the top frame A3.

STEP 7



For your safety, please attach the table to the wall using Anchor with screw and Anti-tip Kit B5 as shown above.