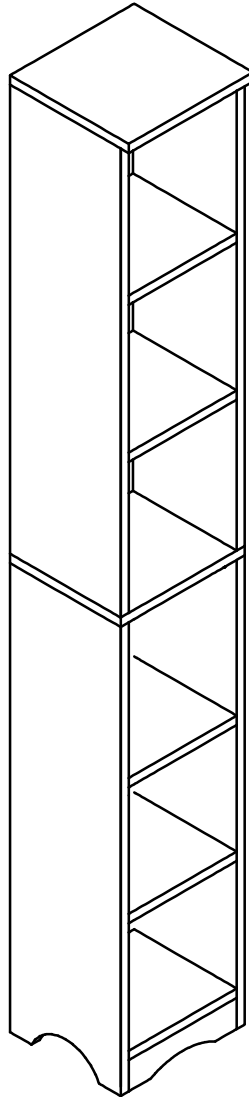


# ASSEMBLY INSTRUCTIONS

Style # BM23 Bathroom Rack



## NOTE TO CUSTOMERS:

- For ease and speed of assembly we recommend that before you commence each step of the assembly that you identify all the parts required to complete that step.
- We recommend that where possible you allow sufficient space to assemble the item as close as possible to the place where it will be once assembled.
- For the protection of your furniture we recommend that the product is placed on protected surfaces during assembly to prevent any damage.
- During assembly do not over tighten, as this may damage the product.
- Please ensure you retain all the product packaging until the item completely assembled.
- Please periodically check all fittings and re-tighten as necessary.
- It is recommended that this item should be assembled by two adults.

## To insert a cam lock: (Please read below instructions before assembling)

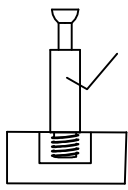
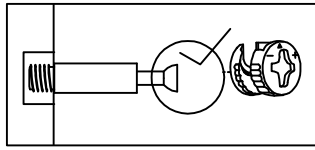


Diagram A



1. Insert cam screw into hole as shown in diagram A .

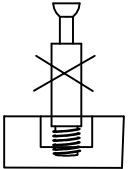
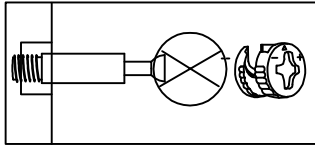


Diagram B



Make sure not to insert the cam screw:  
Too deep as shown in figure B as this will cause the  
cam screw to be misaligned and unable to  
interlock properly.

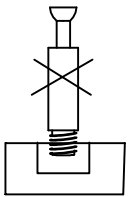
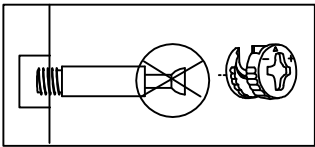
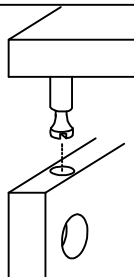


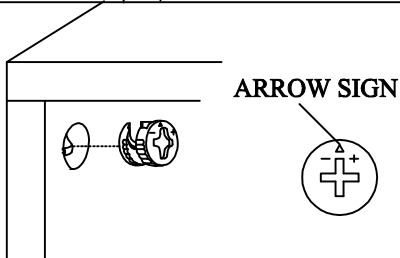
Diagram C



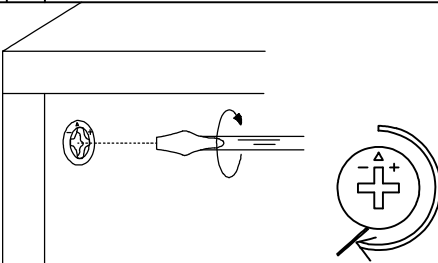
Also avoid inserting the cam screw too close to the  
surface of the hole as shown in figure C, as this will  
cause the cam lock to be too loose, and not interlock  
properly.



2. Connect the panels together.



3. When inserting the cam lock make sure the arrow  
of the cam lock faces the cam screw.



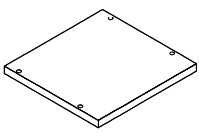


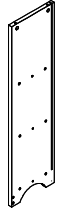

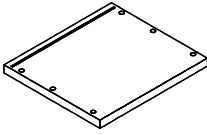
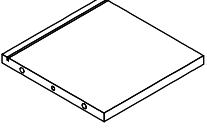
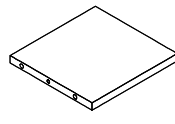
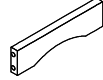
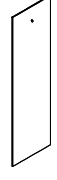
4. To tighten the cam lock turn the cam lock clockwise  
90-180 degree or until the arrow is facing opposite  
the place cam lock was inserted.

**NOTE: DO NOT USE AN AUTOMATIC  
SCREWDRIVER TO TIGHTEN CAM LOCKS.**

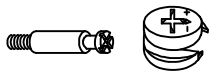



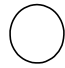
### Note:

- Read these instructions carefully before assembling.
- Tools required : Phillips screwdriver, flat screwdriver.
- Find a clean, smooth area on which to work , such as a carpet, in order to avoid scratching the wood surfaces.
- Wait to dispose of the packing material until assembly is complete and all parts and hardware are accounted for.
- Two or more people might be required for assembly.

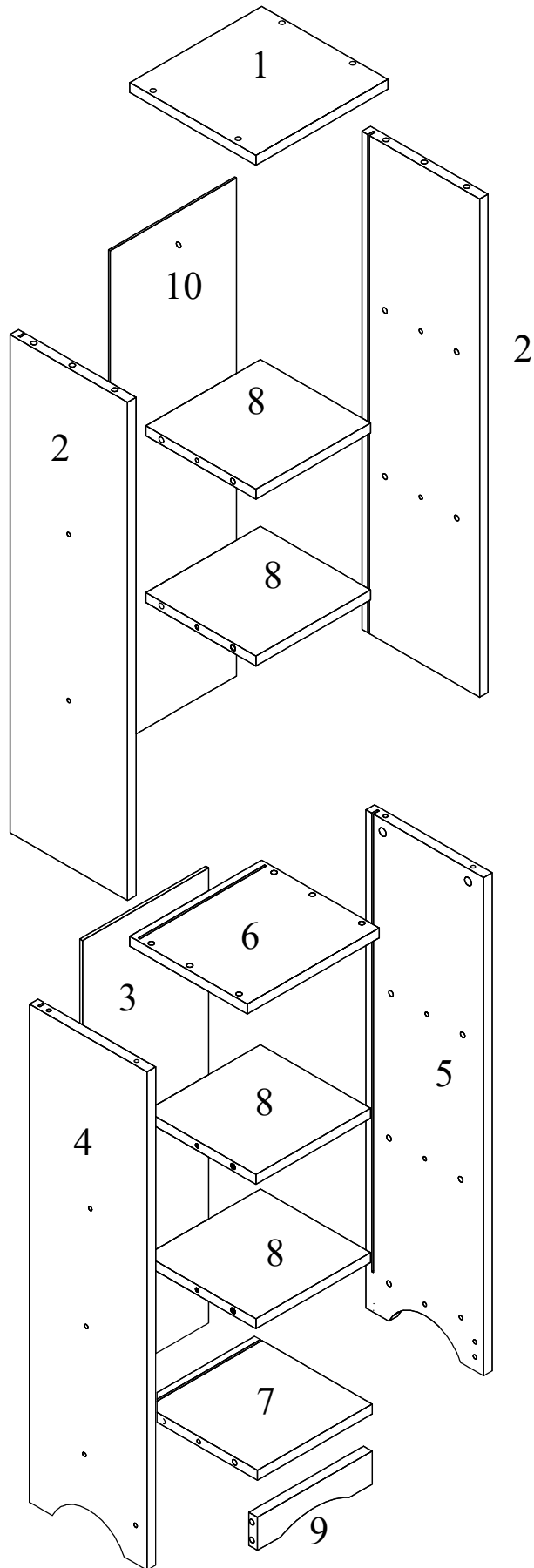
# Part List

<p>1</p>  <p>Top Panel</p>	<p>Quantity of 1</p>	<p>2</p>  <p>Upper Side Panel</p>	<p>Quantity of 2</p>	<p>3</p>  <p>Lower Back Panel</p>	<p>Quantity of 1</p>
<p>4</p>  <p>Lower Left Side Panel</p>	<p>Quantity of 1</p>	<p>5</p>  <p>Lower Right Side Panel</p>	<p>Quantity of 1</p>	<p>6</p>  <p>Divider</p>	<p>Quantity of 1</p>
<p>7</p>  <p>Bottom Panel</p>	<p>Quantity of 1</p>	<p>8</p>  <p>Shelf Panel</p>	<p>Quantity of 4</p>	<p>9</p>  <p>Apron</p>	<p>Quantity of 1</p>
<p>10</p>  <p>Upper Back Panel</p>	<p>Quantity of 1</p>				

# Hardware List

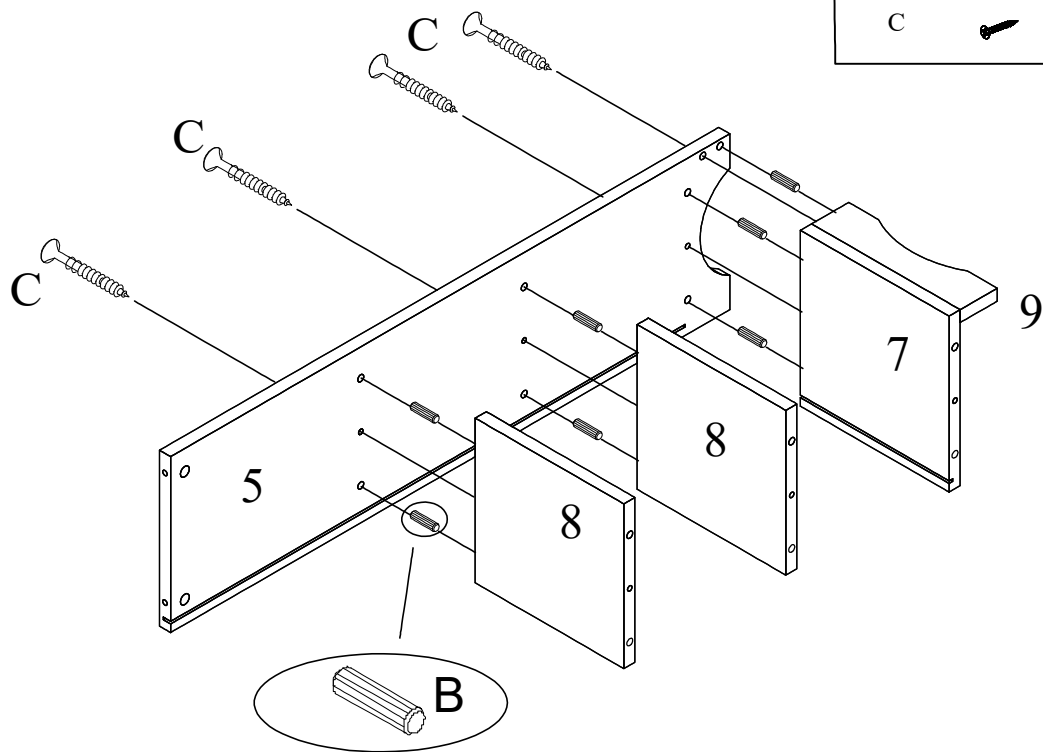
<p>A</p>	<p>Quantity of 4</p>	<p>B</p>	<p>Quantity of 28</p>	<p>C</p>	<p>Quantity of 20</p>	<p>D</p>	<p>Quantity of 1</p>	<p>E</p>	<p>Quantity of 20</p>
		 <p>1/4"*1.25"</p>		 <p>1/4"*1.25"</p>		 <p>1/4"*1.5"</p>			
<p>Camlock</p>		<p>Wood Dowel</p>		<p>Screw</p>		<p>Anchor with Screw</p>		<p>PVC cap</p>	

# Part List



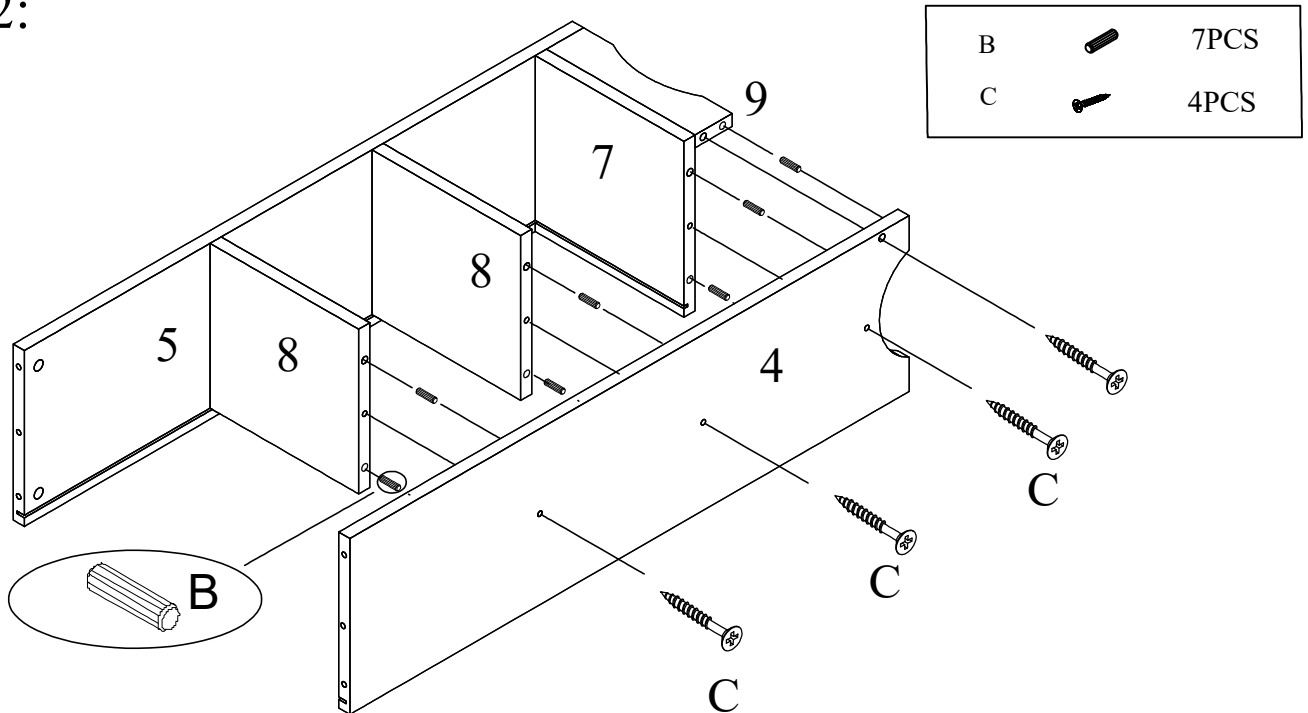
# Assembly instructions

## Step 1:



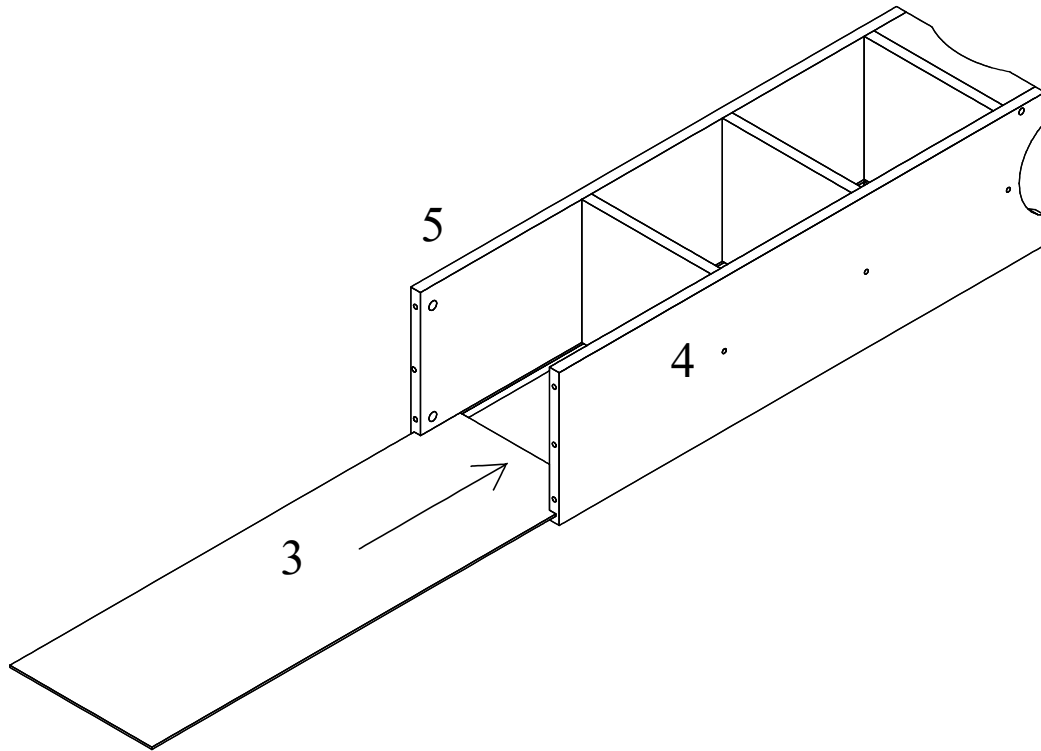
Assemble Shelf Panels (8), Bottom Panel (7) and Apron (9) to Lower Right Side Panel (5) using Wood Dowels (B) and Screws (C) as shown above.

## Step 2:



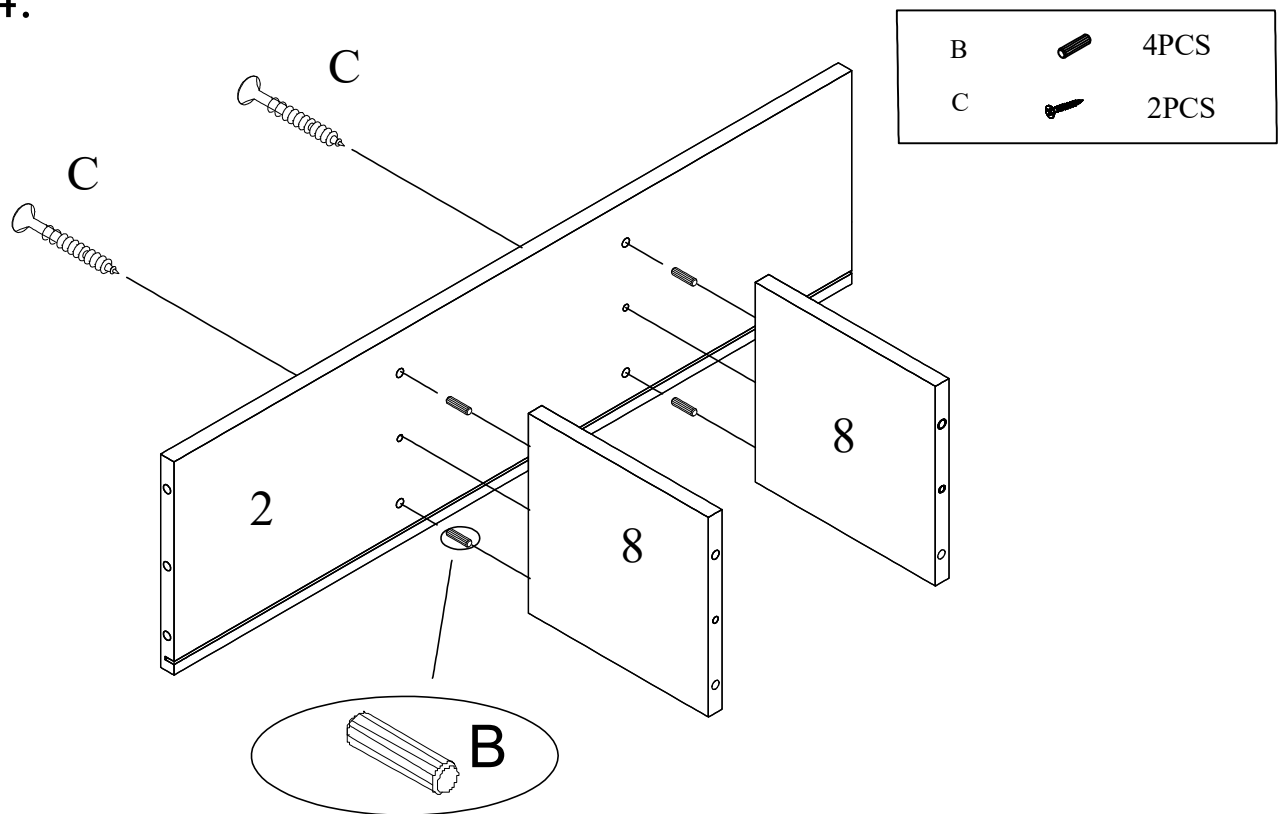
Assemble Shelf Panels (8), Bottom Panel (7) and Apron (9) to Lower Left Side Panel (4) using Wood Dowels (B) and Screws (C) as shown above.

### Step 3:



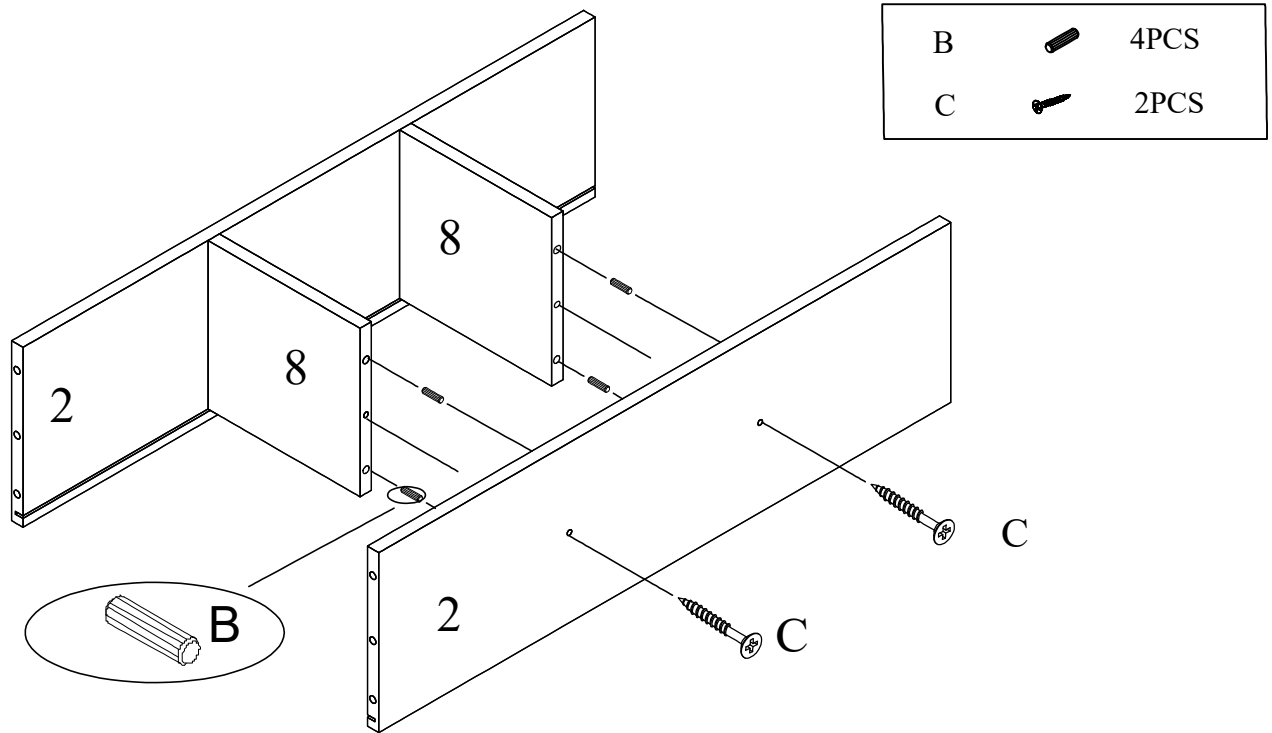
Insert Lower Back Panel (3) into the grooves on Lower Side Panels (4&5).

### Step 4:



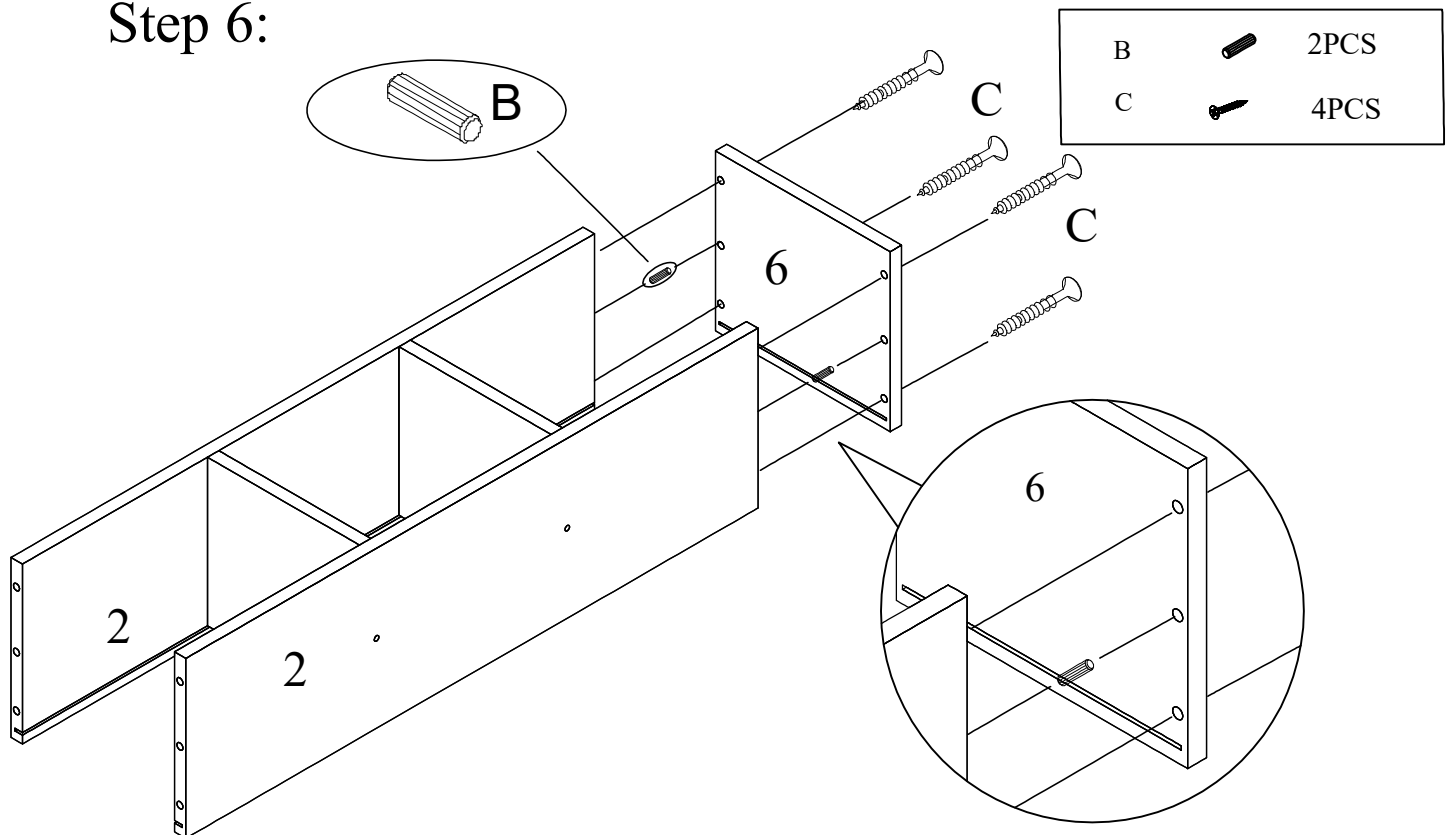
Assemble Shelf Panels (8) to Upper Side Panel (2) using Wood Dowels (B) and Screws (C) as shown above.

## Step 5:



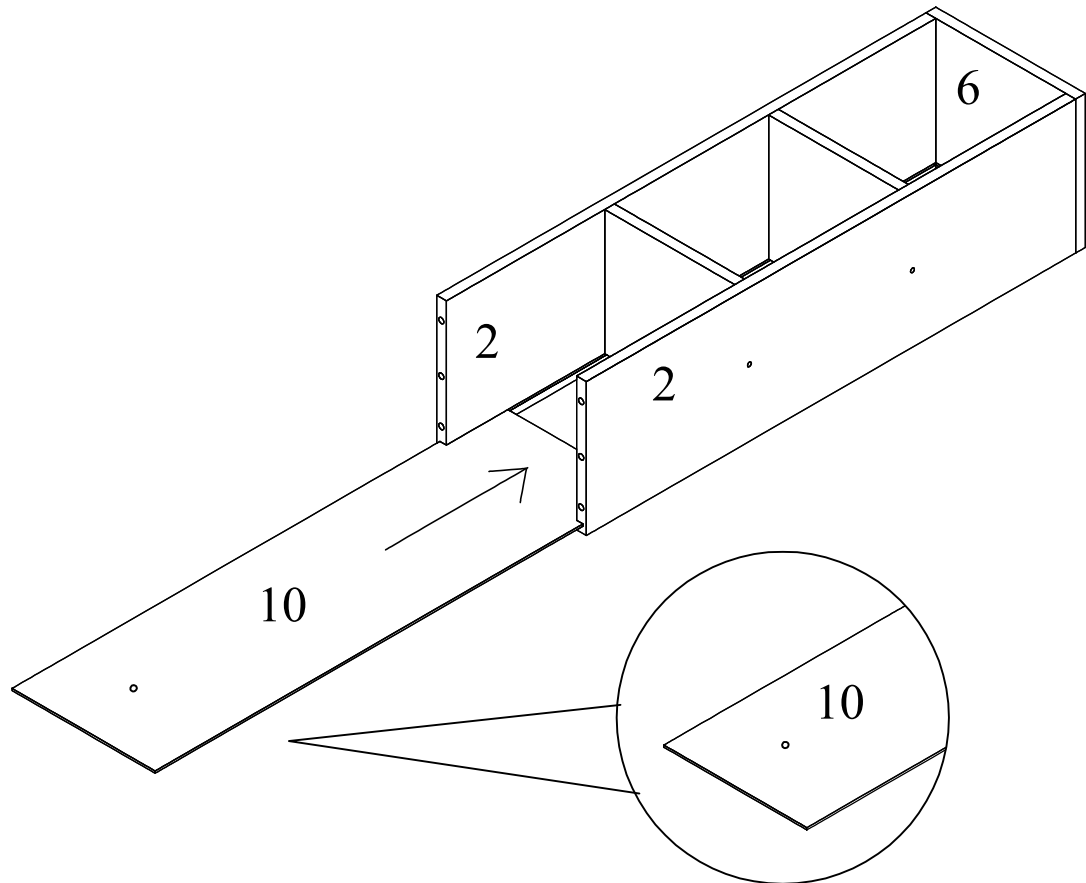
Assemble Shelf Panels (8) to Upper Side Panel (2) using Wood Dowels (B) and Screws (C) as shown above.

## Step 6:



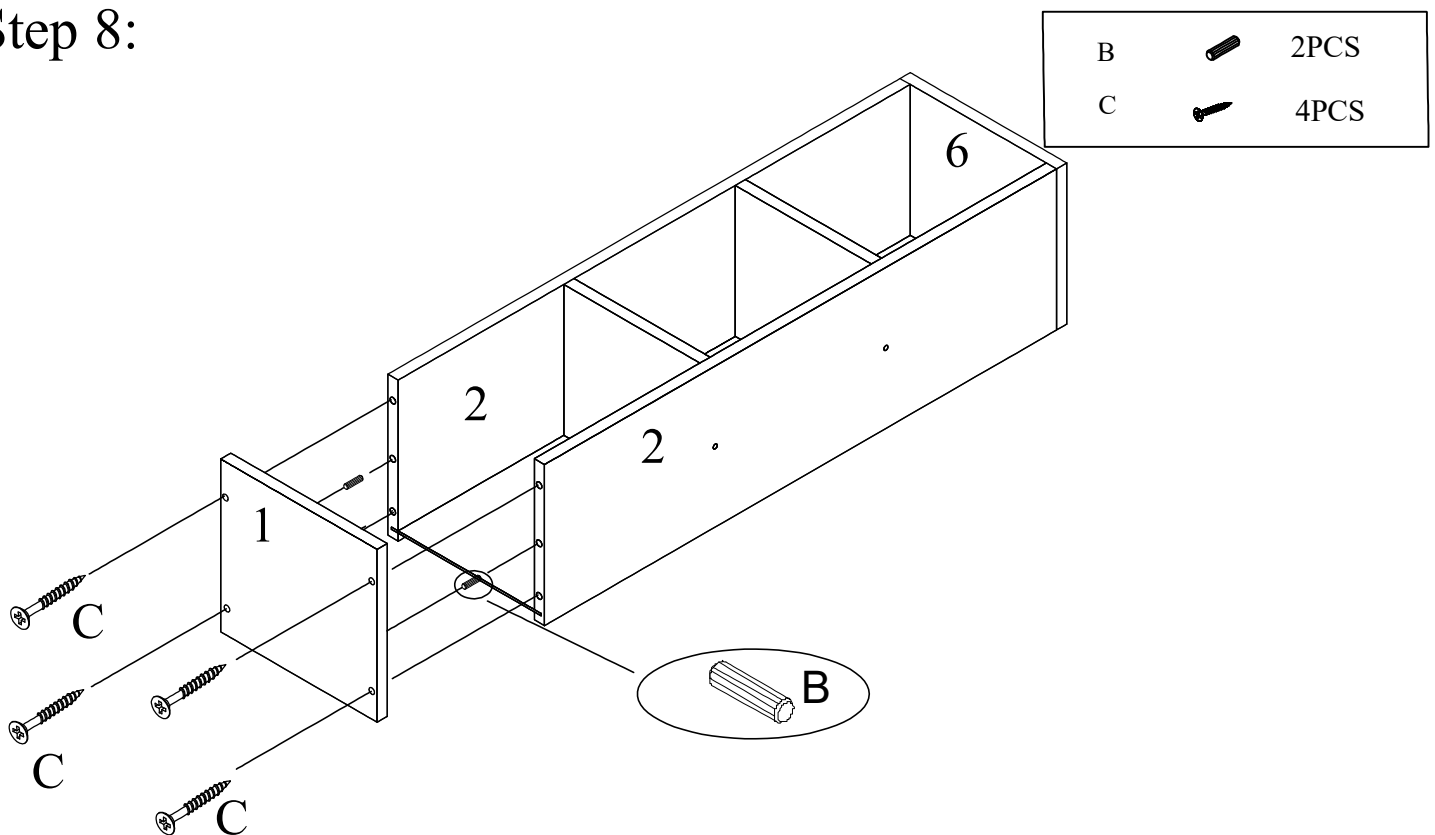
Assemble Divider (6) to Upper Side Panels (2) using Wood Dowels (B) and Screws (C) as shown above.

## Step 7:



Insert Upper Back Panel (10) into the grooves on Upper Side Panels (2).

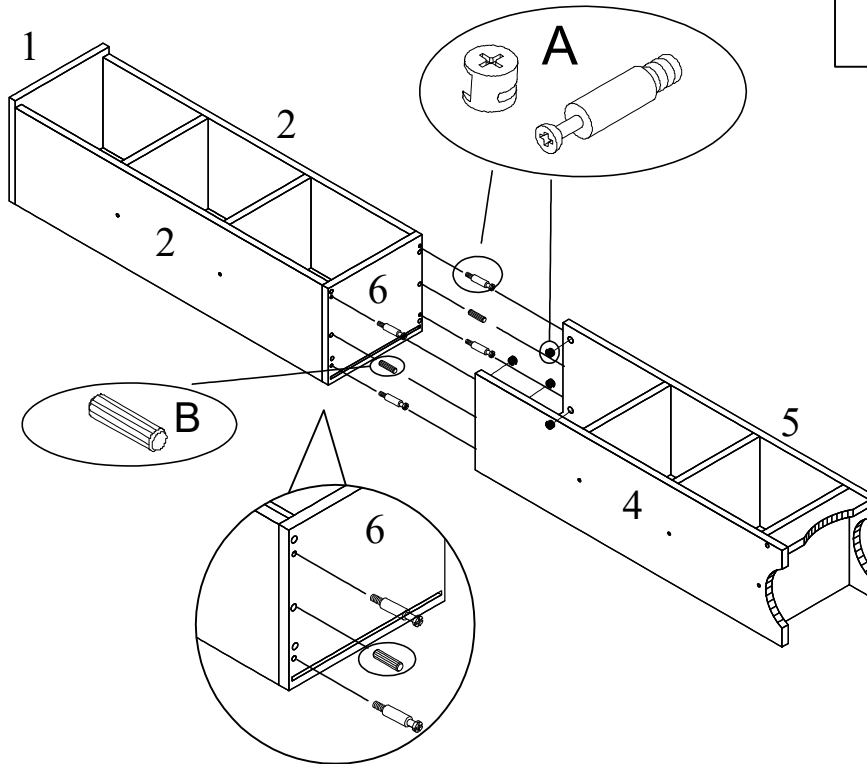
## Step 8:

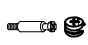



Assemble Top Panel (1) to Upper Side Panels (2) using Wood Dowels (B) and Screws (C) as shown above.



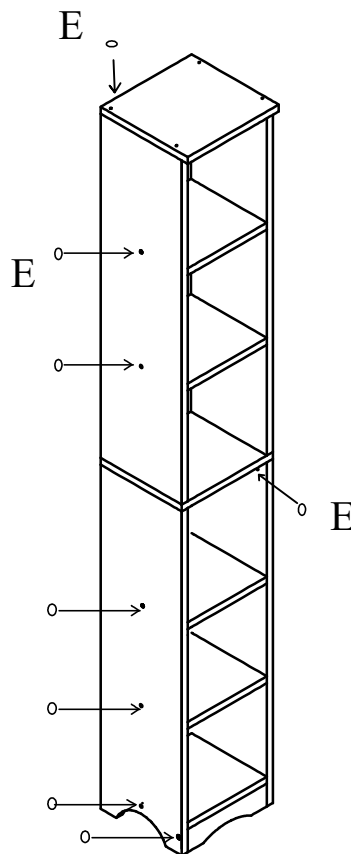
## Step 9:




A		4sets
B		2pcs

Assemble Divider (6) to Lower Side Panels (4&5) using Cam-Locks (A) and Wood Dowels (B) as shown above.

## Step 10:

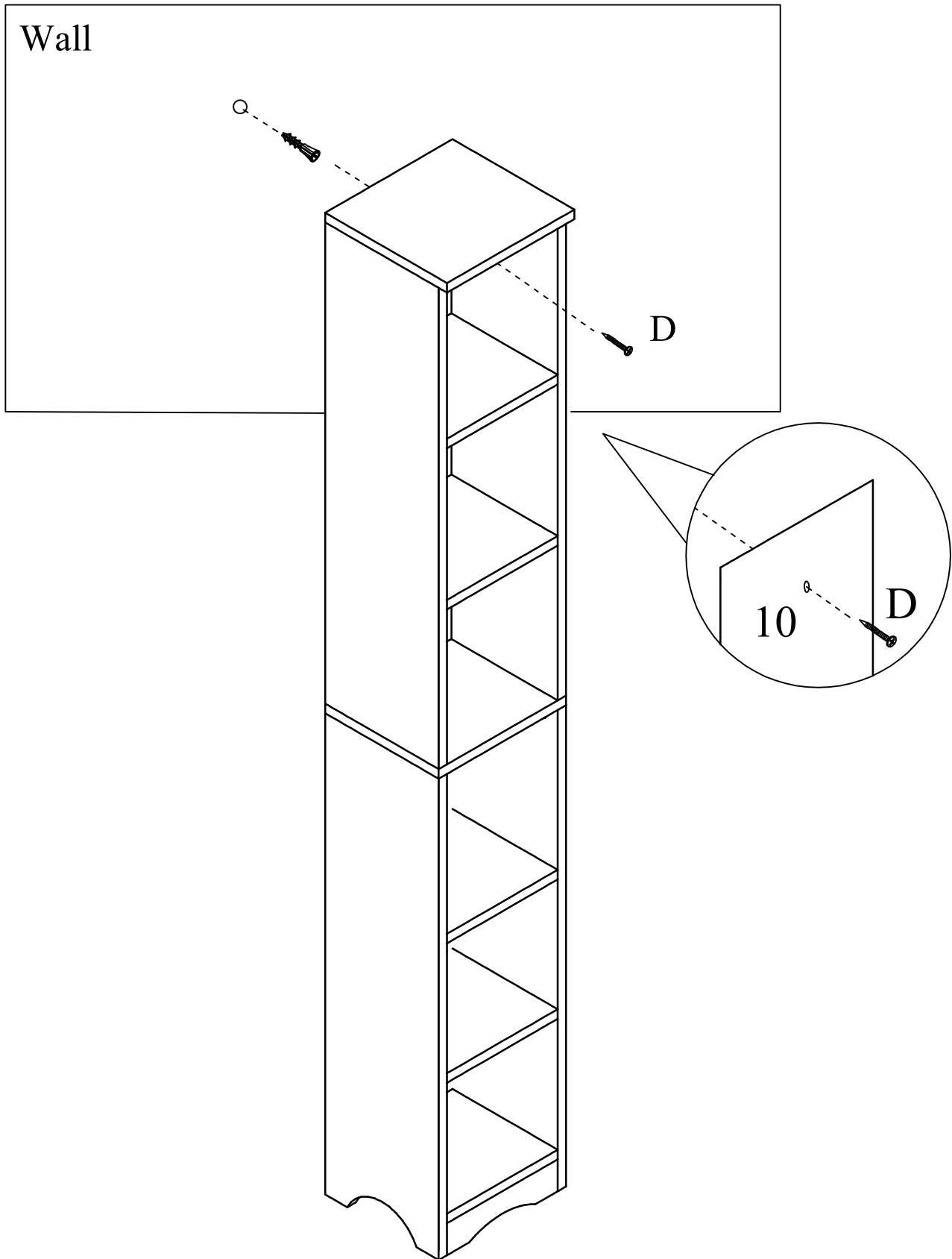


E		20pcs
---	---------------------------------------------------------------------------------------	-------

Cover the holes of screw by Caps(E) as shown above.

# Step 11:

D  1set



For your safety , please attach this unit to the wall by screw and anchor (D) as shown above.