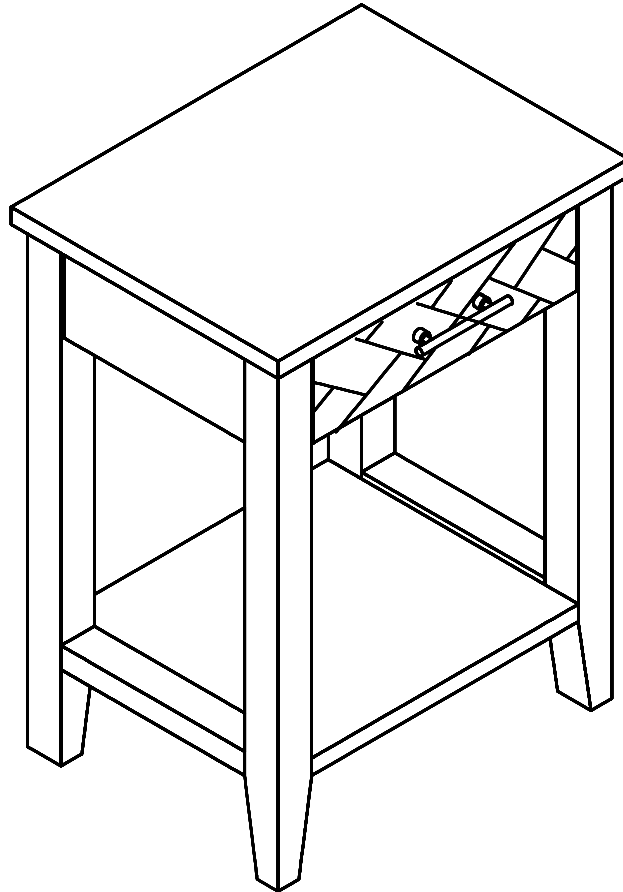


ASSEMBLY INSTRUCTIONS

Style # 1151-E End Table



NOTE TO CUSTOMERS:

- For ease and speed of assembly we recommend that before you commence each step of the assembly that you identify all the parts required to complete that step.
- We recommend that where possible you allow sufficient space to assemble the item as close as possible to the place where it will be once assembled.
- For the protection of your furniture we recommend that the product is placed on protected surfaces during assembly to prevent any damage.
- During assembly do not over tighten, as this may damage the product.
- Please ensure you retain all the product packaging until the item completely assembled.
- Please periodically check all fittings and re-tighten as necessary.
- It is recommended that this item should be assembled by two adults.

To insert a cam lock: (Please read below instructions before assembling)

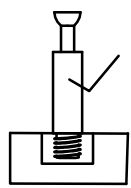
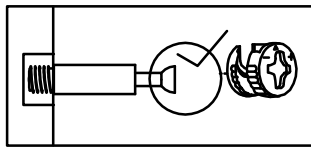


Diagram A



1. Insert cam screw into hole as shown in diagram A .

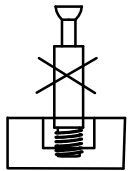
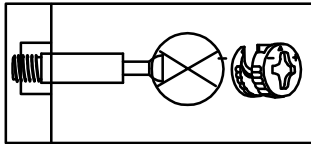


Diagram B



Make sure not to insert the cam screw:
Too deep as shown in figure B as this will cause the cam screw to be misaligned and unable to interlock properly.

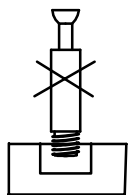
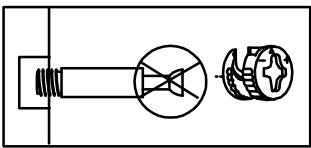
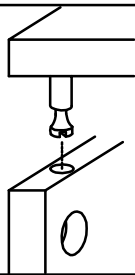


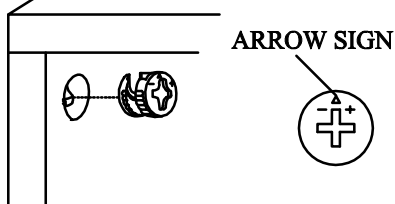
Diagram C



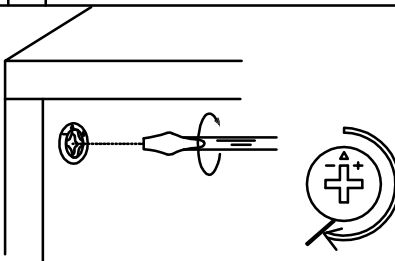
Also avoid inserting the cam screw too close to the surface of the hole as shown in figure C, as this will cause the cam lock to be too loose, and not interlock properly.



2. Connect the panels together.



3. When inserting the cam lock make sure the arrow of the cam lock faces the cam screw.



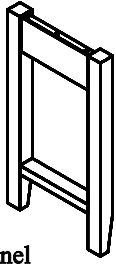
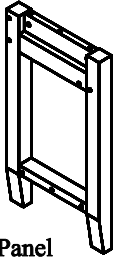
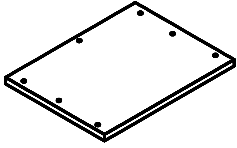

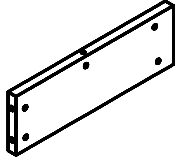
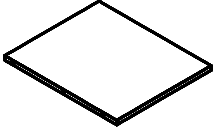
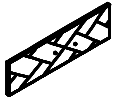
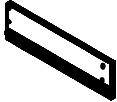

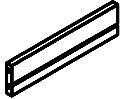
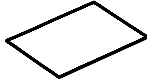
4. To tighten the cam lock turn the cam lock clockwise 90-180 degree or until the arrow is facing opposite the place cam lock was inserted.

NOTE: DO NOT USE AN AUTOMATIC SCREWDRIVER TO TIGHTEN CAM LOCKS.




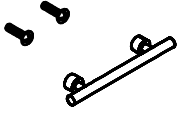
Note:

- Read these instructions carefully before assembling.
- Tools required : Phillips screwdriver, flat screwdriver.
- Find a clean, smooth area on which to work , such as a carpet, in order to avoid scratching the wood surfaces.
- Wait to dispose of the packing material until assembly is complete and all parts and hardware are accounted for.
- Two or more people might be required for assembly.

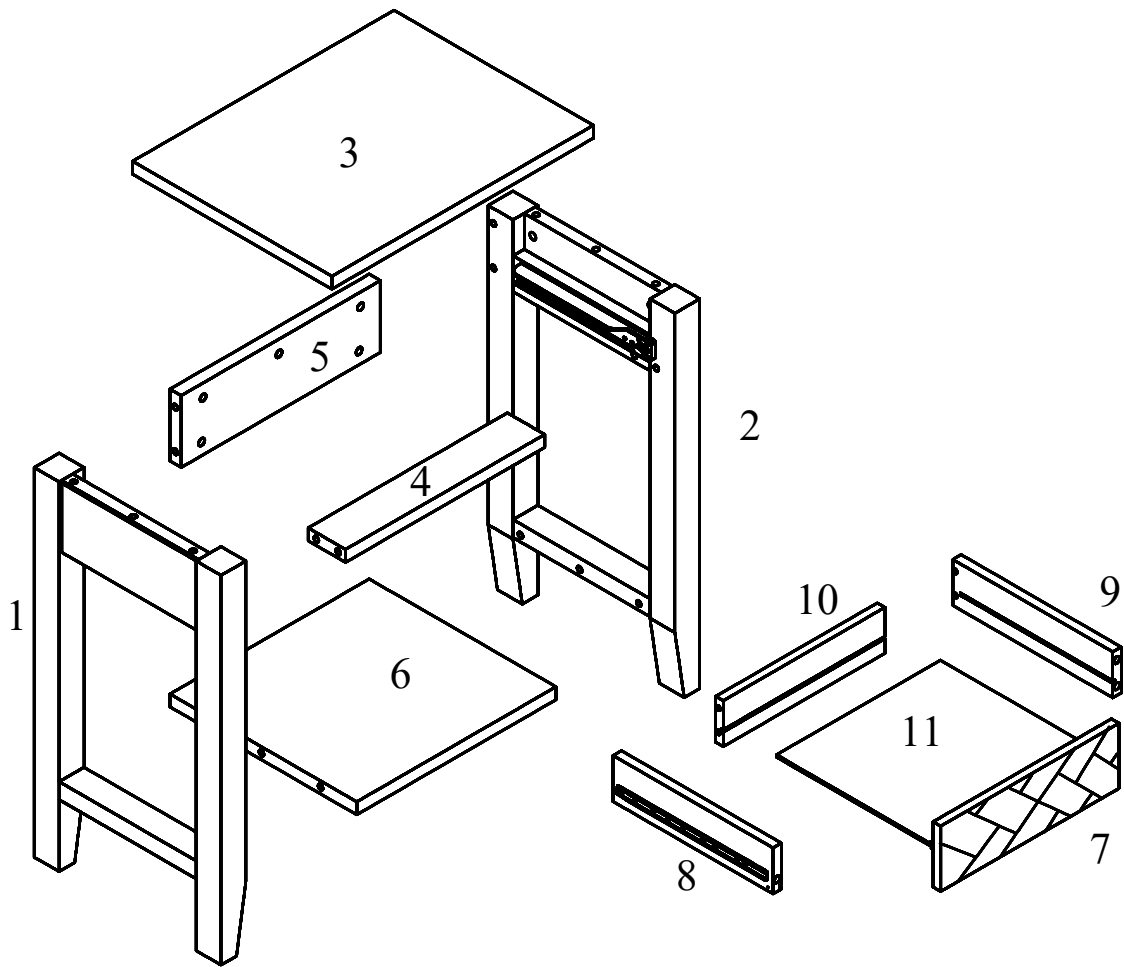
Part List

1		Quantity of 1	2		Quantity of 1	3		Quantity of 1
Left Side Panel			Right Side Panel			Top Panel		
4		Quantity of 1	5		Quantity of 1	6		Quantity of 1
Connect Bar			Back Panel			Bottom Shelf		
7		Quantity of 1	8		Quantity of 1	9		Quantity of 1
Drawer Front Panel			Drawer Side Panel(Left)			Drawer Side Panel(Right)		
10		Quantity of 1	11		Quantity of 1			
Drawer Back Panel			Drawer Bottom Panel					

Hardware List

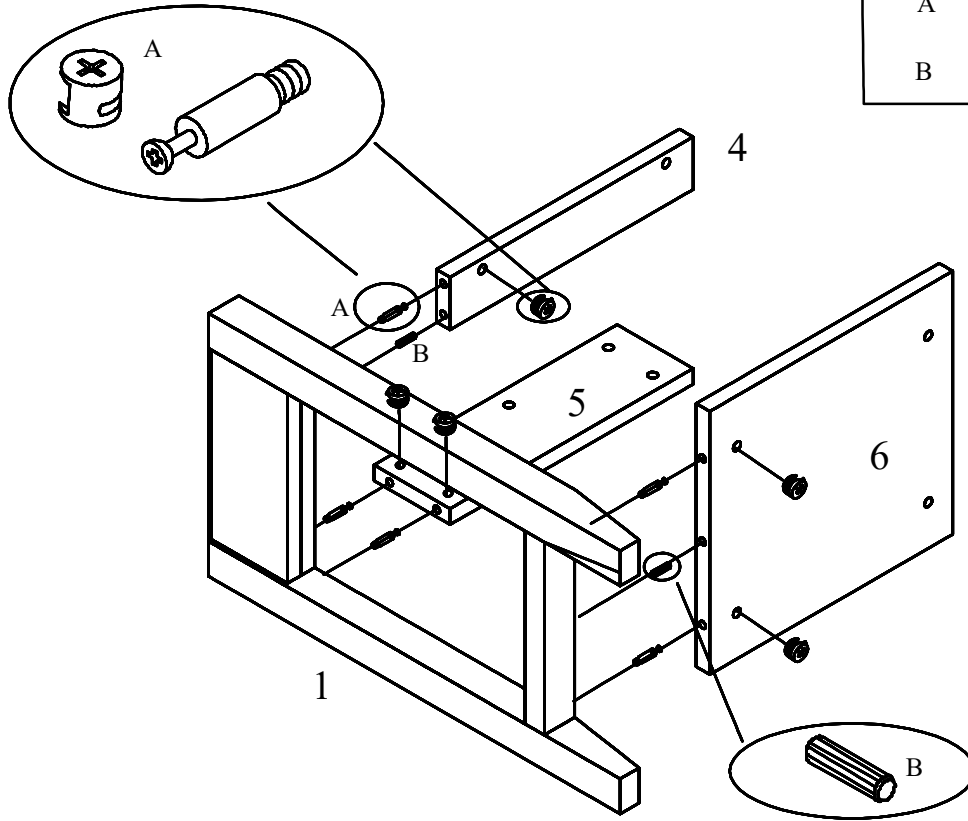
A	Quantity of 19	B	Quantity of 6	C	Quantity of 4	D	Quantity of 1
		 1/4"*1.25"		 1/4"*1"			
Camlock		Wood Dowel		Screw		Handle with Bolt	

Part List



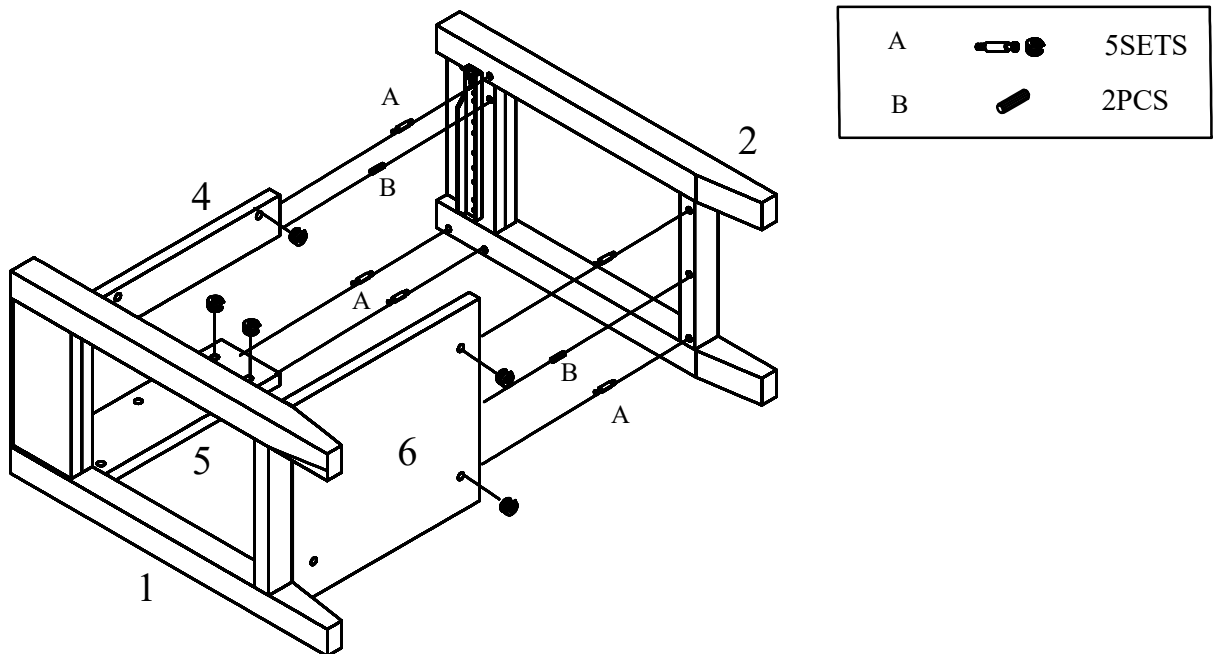
Assembly instructions

Step 1:



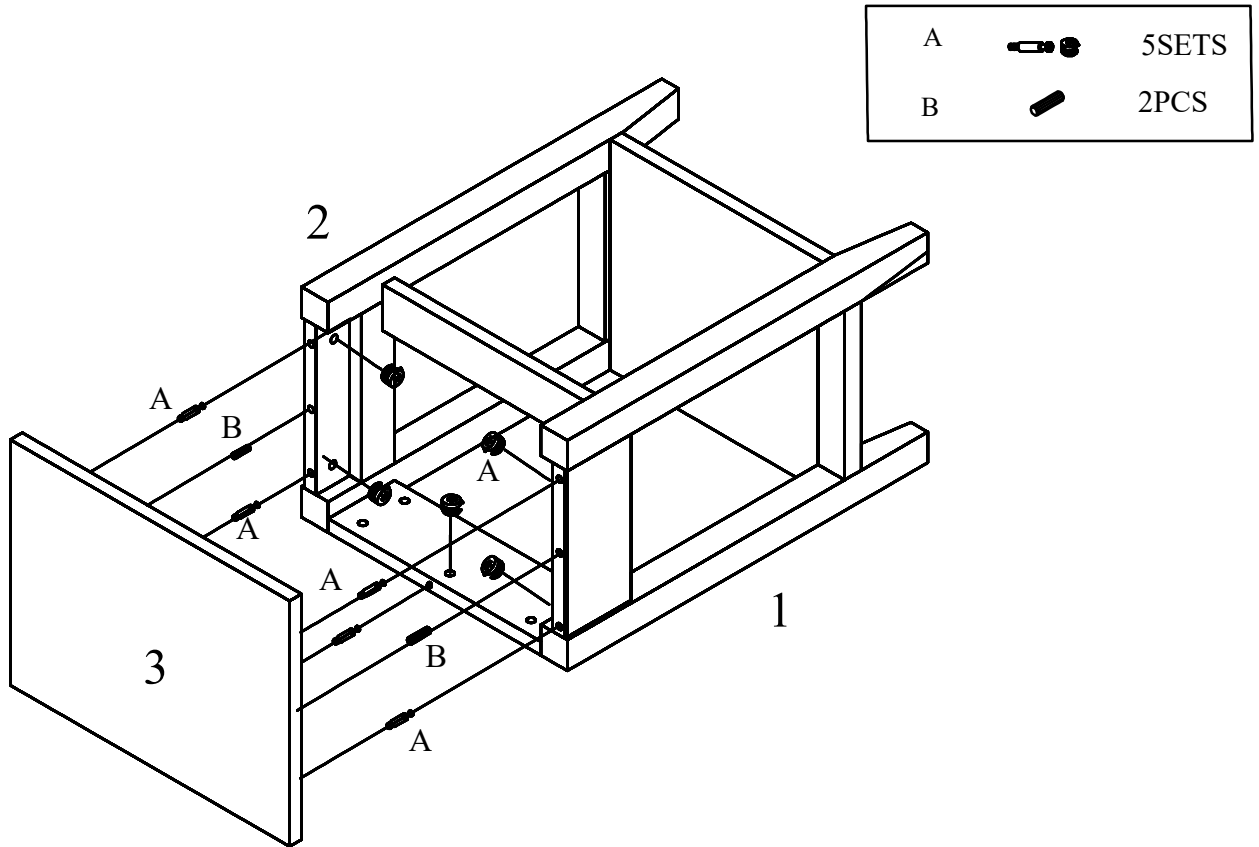
Assemble Left Side Panel (1) to Connect Bar (4), Back Panel (5) and Bottom Shelf (6) using Cam-Locks (A) and Wood Dowels (B) as shown above.

Step 2:



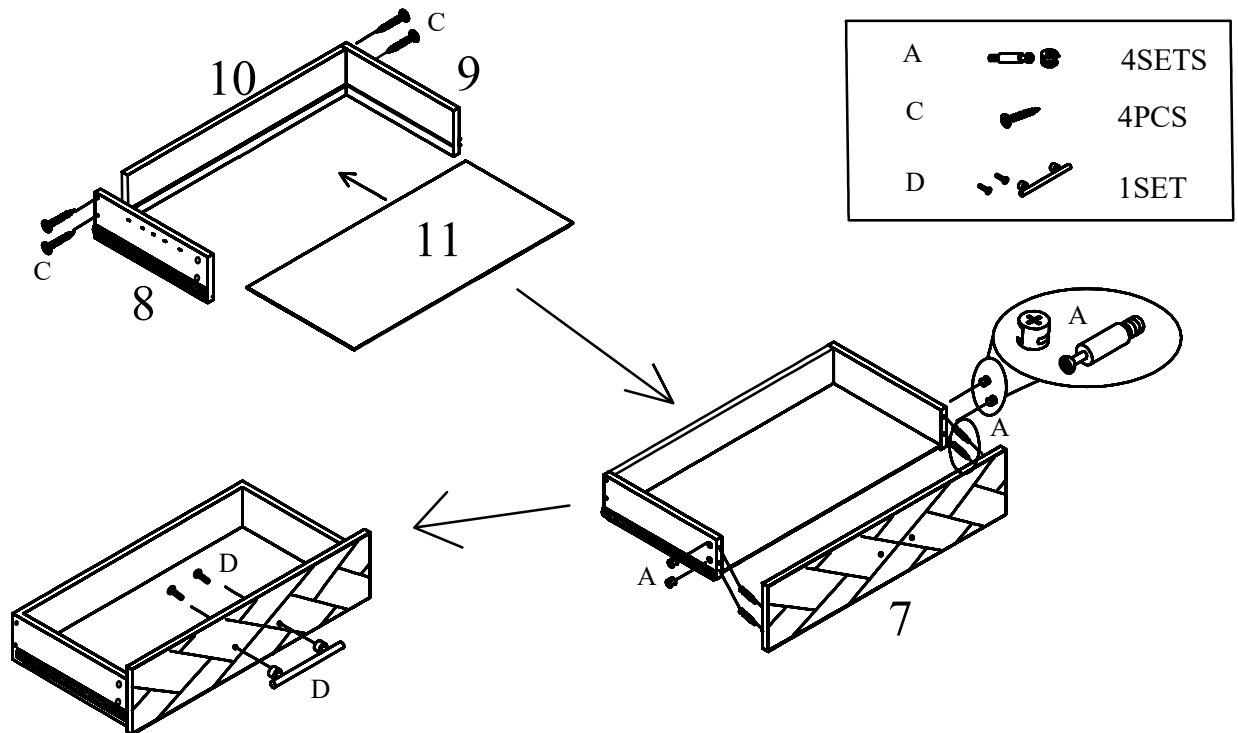
Assemble Right Side Panel (2) to Connect Bar (4), Back Panel (5) and Bottom Shelf (6) using Cam-Locks (A) and Wood Dowels (B) as shown above.

Step 3:



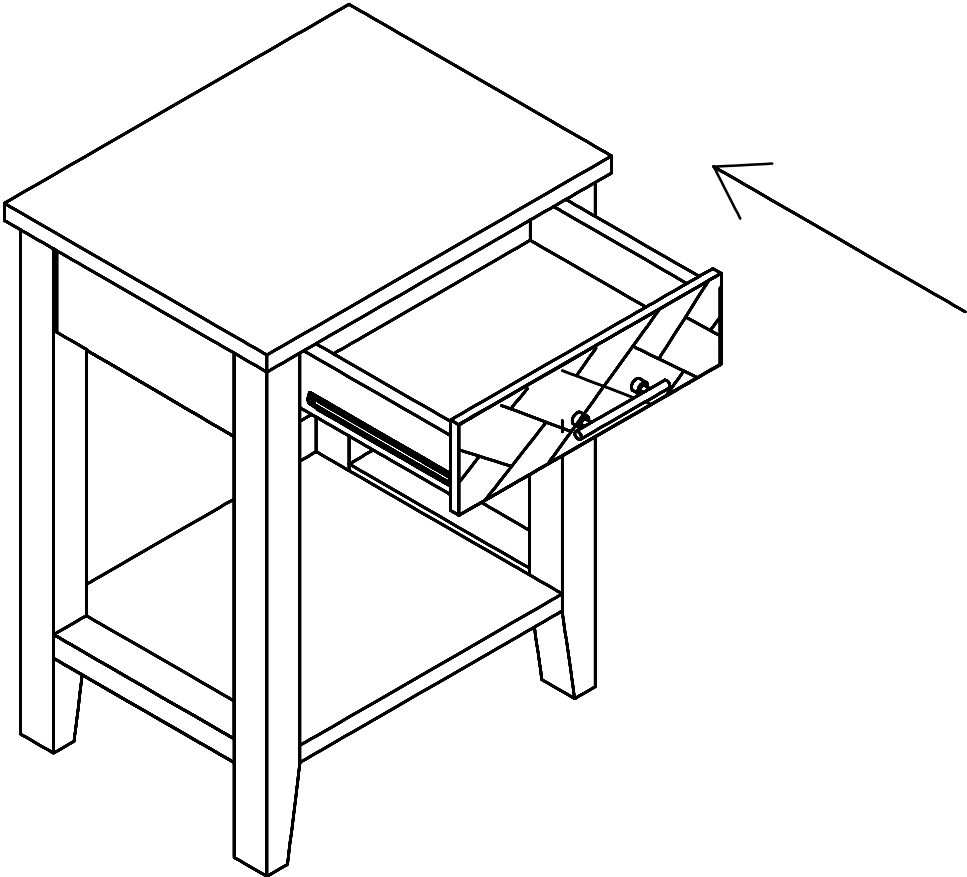
Assemble Top Panel (3) to Side Panels (1&2) and Back Panel (5) using Cam-Locks (A) and Wood Dowels (B) as shown above.

Step 4:



Assemble Drawer Side Panels (8&9) to Drawer Back Panel (10) using Screws(C).
 Insert Drawer Bottom Panel (11) into the grooves on Drawer Side Panels (8&9) and Drawer Back Panel (10).
 Attach Drawer Front Panel (7) to Drawer Side Panels (8&9) using Cam-Locks (A).
 Attach Drawer Handle (D) to Drawer Front Panel (7) using Included bolts.

Step 5:



Insert Drawer into the side table as shown above.