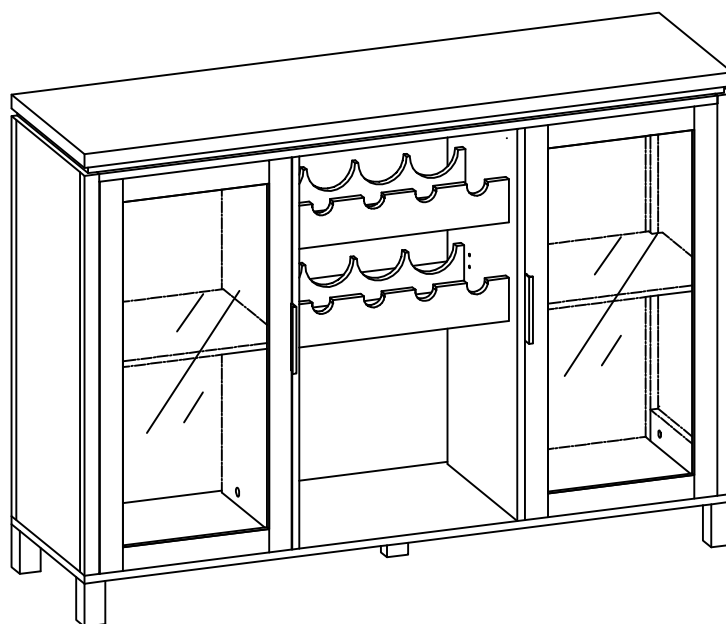


ASSEMBLY INSTRUCTIONS

Style # WR1361-WH&WR1361-BL
Wine Rack



NOTE TO CUSTOMERS:

- For ease and speed of assembly we recommend that before you commence each step of the assembly that you identify all the parts required to complete that step.
- We recommend that where possible you allow sufficient space to assemble the item as close as possible to the place where it will be once assembled.
- For the protection of your furniture we recommend that the product is placed on protected surfaces during assembly to prevent any damage.
- During assembly do not over tighten ,as this may damage the product.
- Please ensure you retain all the product packaging until the item completely assembled.
- Please periodically check all fittings and re-tighten as necessary.
- Never allow any liquids to remain on your furniture as absorption can cause the wood to warp or the finish to de-laminate.
- It is recommended that this item should be assembled by two adults.

To insert a cam lock: (Please read below instructions before assembling)

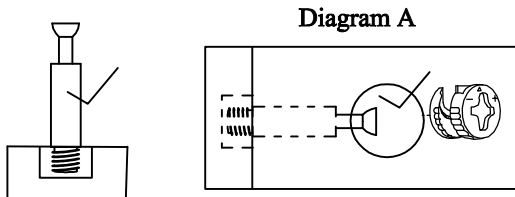


Diagram A

1. Insert cam screw into hole as shown in diagram A .

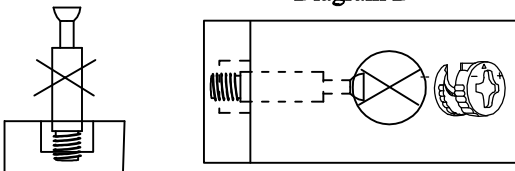


Diagram B

Make sure not to insert the cam screw:
Too deep as shown in figure B as this will cause the
cam screw to be misaligned and unable to
interlock properly.

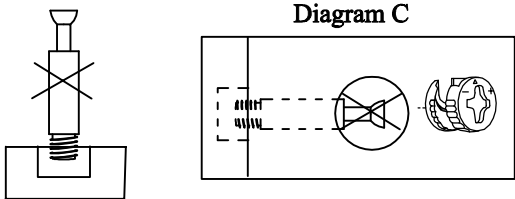
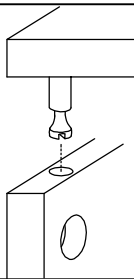
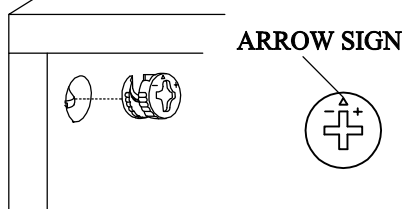


Diagram C

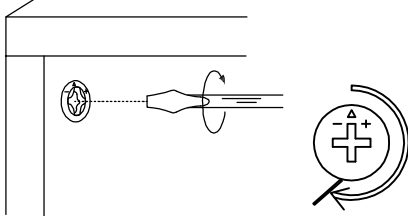
Also avoid inserting the cam screw too close to the
surface of the hole as shown in figure C, as this will
cause the cam lock to be too loose, and not interlock
properly.



2. Connect the panels together.



3. When inserting the cam lock make sure the arrow
of the cam lock faces the cam screw.



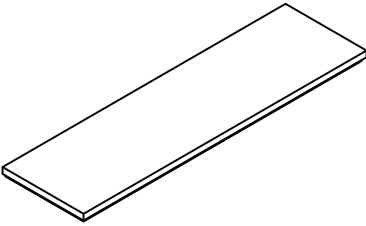
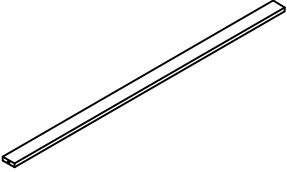
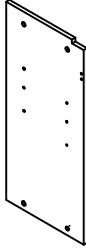
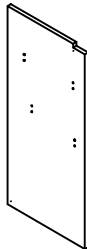


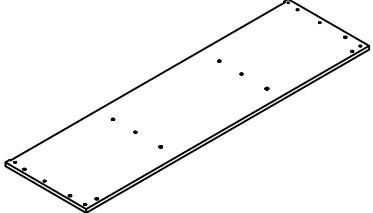


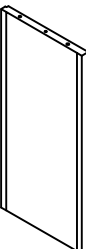
4. To tighten the cam lock turn the cam lock clockwise
90-180 degree or until the arrow is facing opposite
the place cam lock was inserted.

**NOTE: DO NOT USE AN AUTOMATIC
SCREWDRIVER TO TIGHTEN CAM LOCKS.**

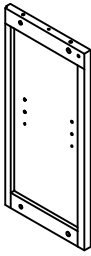
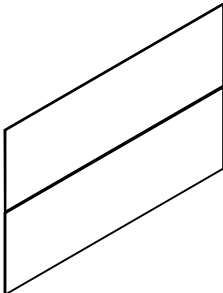
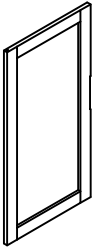
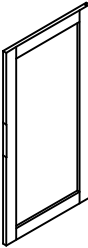
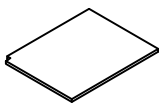
Note:

- Read these instructions carefully before assembling.
- Tools required : Phillips screwdriver, flat screwdriver.
- Find a clean, smooth area on which to work , such as a carpet, in order to avoid scratching the wood surfaces.
- Wait to dispose of the packing material until assembly is complete and all parts and hardware are accounted for.
- Two or more people might be required for assembly.

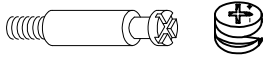


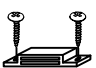



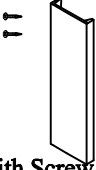
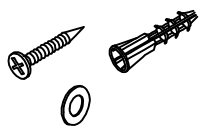

Part List

<p>A1 Quantity of 1</p>  <p>Top Panel</p>	<p>A2 Quantity of 1</p>  <p>Connect Bar</p>
<p>A3 Quantity of 1</p>  <p>Divider Panel</p>	<p>A4 Quantity of 1</p>  <p>Divider Panel</p>
<p>A5 Quantity of 2</p>  <p>Front Bottle holder</p>	<p>A6 Quantity of 2</p>  <p>Rear Bottle holder</p>
<p>A7 Quantity of 1</p>  <p>Bottom Panel</p>	<p>A8 Quantity of 4</p>  <p>Leg</p>
<p>A9 Quantity of 1</p>  <p>Center Leg</p>	<p>A10 Quantity of 1</p>  <p>Side Panel(Left)</p>

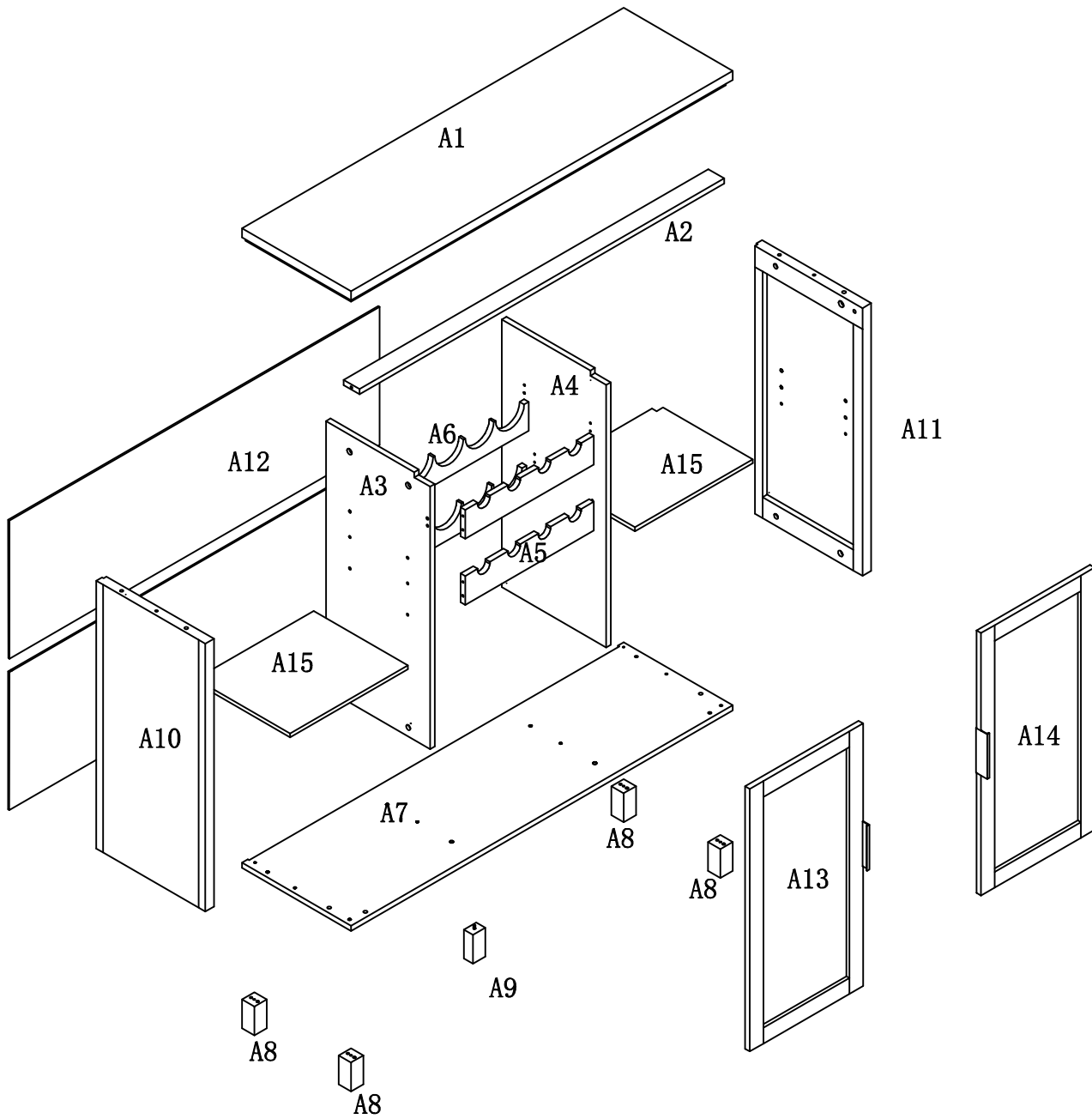
Part List

<p>A11 Quantity of 1</p> <div style="text-align: center;">  </div> <p>Side Panel(Right)</p>	<p>A12 Quantity of 1</p> <div style="text-align: center;">  </div> <p>Back Panel</p>	
<p>A13 Quantity of 1</p> <div style="text-align: center;">  </div> <p>Door Panel(Left)</p>	<p>A14 Quantity of 1</p> <div style="text-align: center;">  </div> <p>Door Panel(Right)</p>	<p>A15 Quantity of 2</p> <div style="text-align: center;">  </div> <p>Shelf Panel</p>

Hardware List

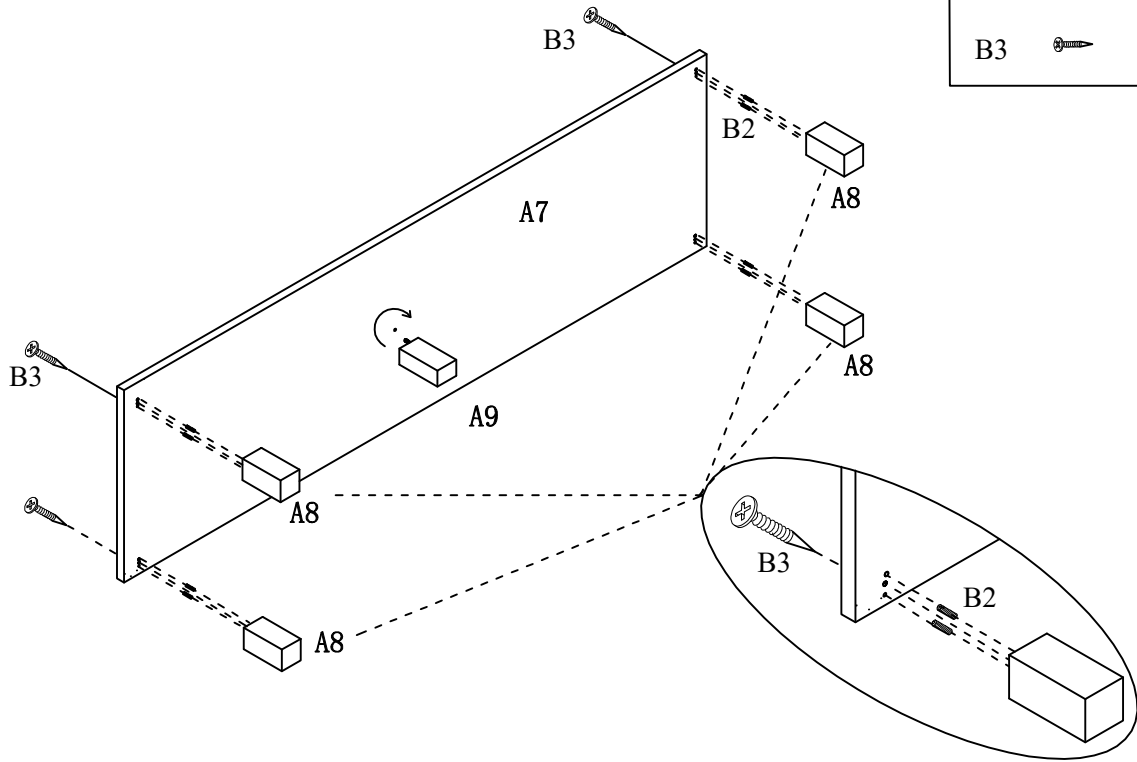
<p>B1 Quantity of 24</p> <div style="text-align: center;">  </div> <p>Cam-Lock</p>	<p>B2 Quantity of 28</p> <div style="text-align: center;">  </div> <p>Wood Dowel</p>	<p>B3 Quantity of 6</p> <div style="text-align: center;">  </div> <p>Screw</p>	<p>B4 Quantity of 2</p> <div style="text-align: center;">  </div> <p>Magnet with Screw</p>
<p>B5 Quantity of 26</p> <div style="text-align: center;">  </div> <p>Screw</p>	<p>B6 Quantity of 4</p> <div style="text-align: center;">  </div> <p>Door Pin</p>	<p>B7 Quantity of 8</p> <div style="text-align: center;">  </div> <p>Shelf Supporter</p>	<p>B8 Quantity of 2</p> <div style="text-align: center;">  </div> <p>Handle with Screw</p>
<p>B9 Quantity of 1</p> <div style="text-align: center;">  </div> <p>Anchor with Screw</p>	<p>B10 Quantity of 1</p> <div style="text-align: center;">  </div> <p>Anti-tip kit</p>		

Part List



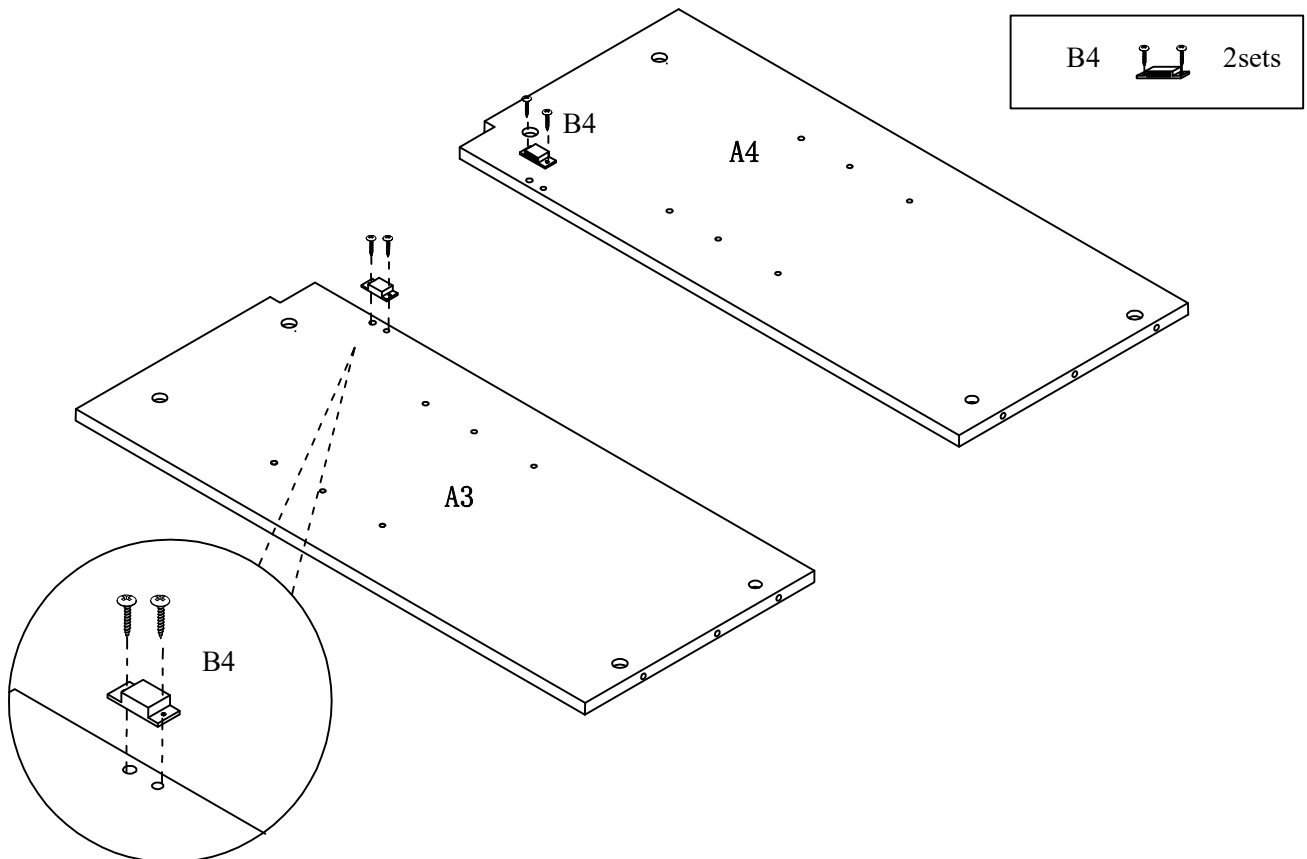
Assembly instructions

Step 1:



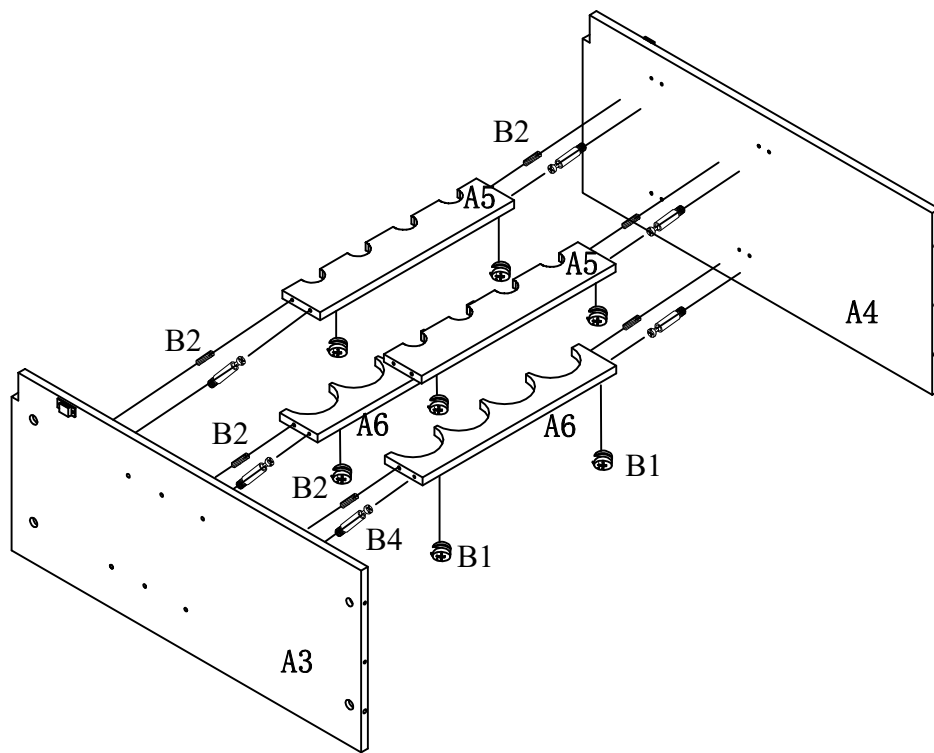
Assemble Legs A8&A9 to Bottom Panel A7 using Wood Dowels B2 and Screws B3 as shown above.

Step 2:



Attach Magnets B4 to the Divider Panels A3&A4 using included Screws B4 as shown above.

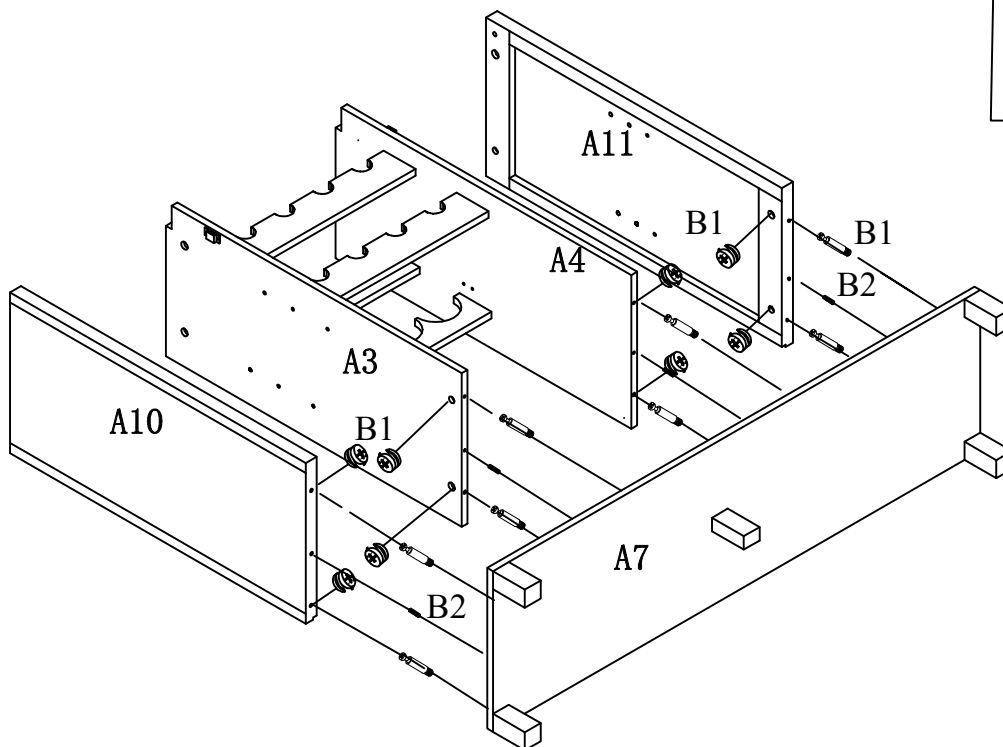
Step 3:





B1		8sets
B2		8pcs

Assemble Bottle Holders A5&A6 to Divider Panels A3&A4 using Cam-Bolts B1 and Wood Dowels B2 as shown above.

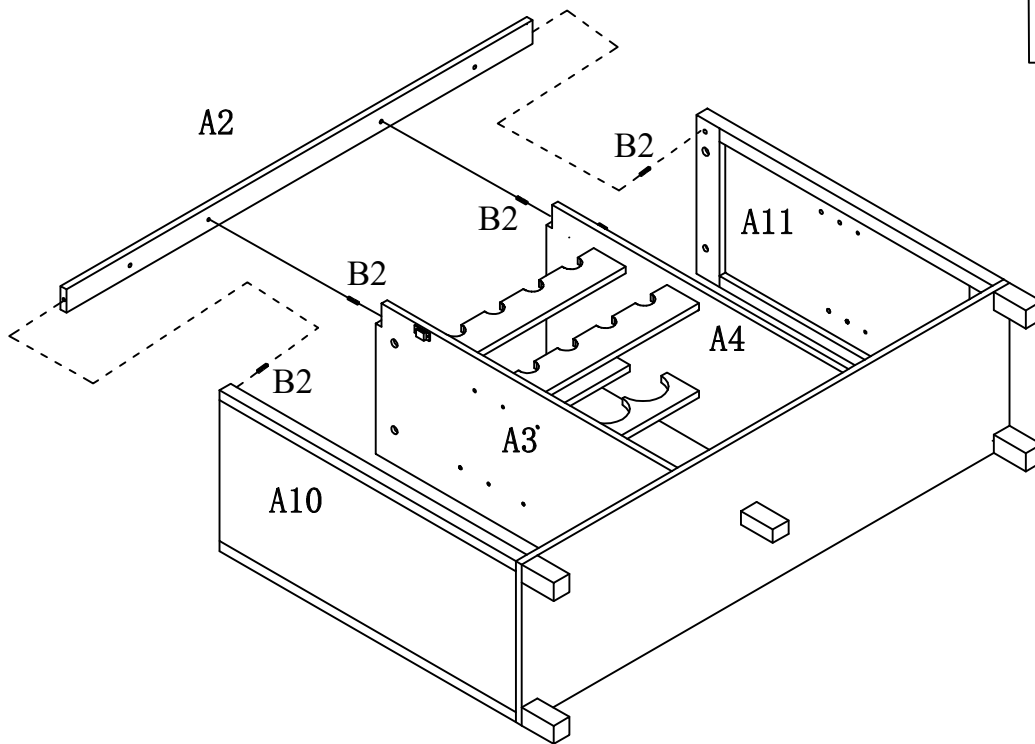
Step 4:




B1		8sets
B2		4pcs

Assemble Side Panels A10&A11 and Divider Panels A3&A4 to Bottom Panel A7 using Cam-Bolts B1 and Wood Dowels B2 as shown above.

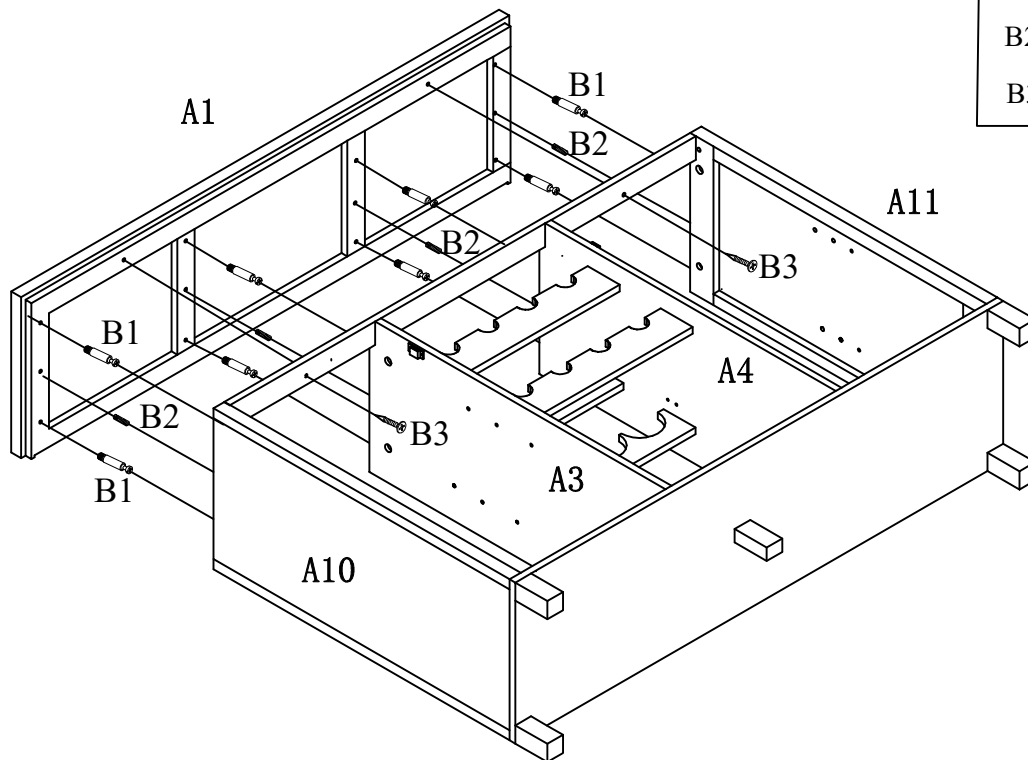
Step 5:

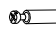




B2		4pcs
----	---	------

Assemble Connect Bar A2 to Side Panels A10&A11 and Divider Panels A3&A4 using Wood Dowels B2 as shown above.

Step 6:

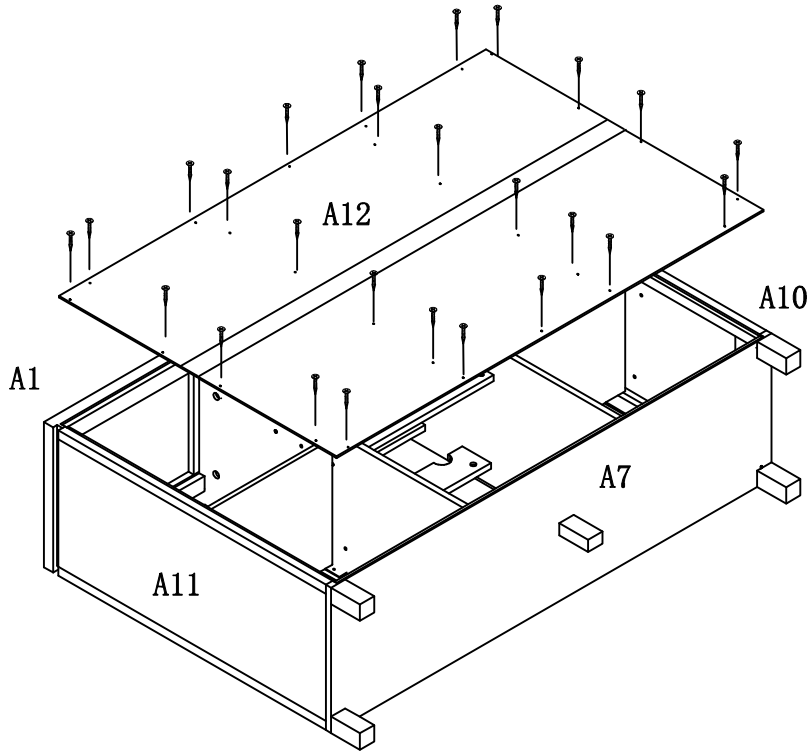


B1		8sets
B2		4pcs
B3		2pcs

Assemble Top Panel A1 to Connect Bar A2, Side Panels A10&A11 and Divider Panels A3&A4 using Cam-Bolts B1, Wood Dowels B2 and Screws B3 as shown above.

Step 7:

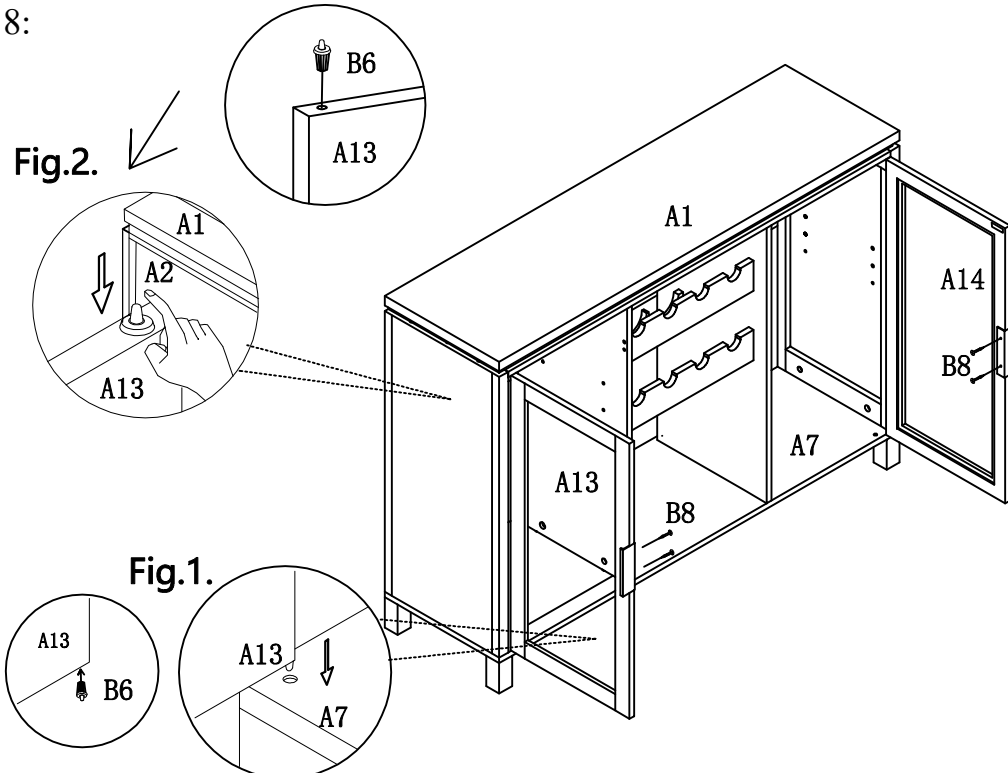
B5	↑	26pcs
----	---	-------



Assemble Back Panel A12 to the back of this unit using Screws B3 as shown above.

Step 8:

B6	↑	4pcs
B8	↑	2Sets

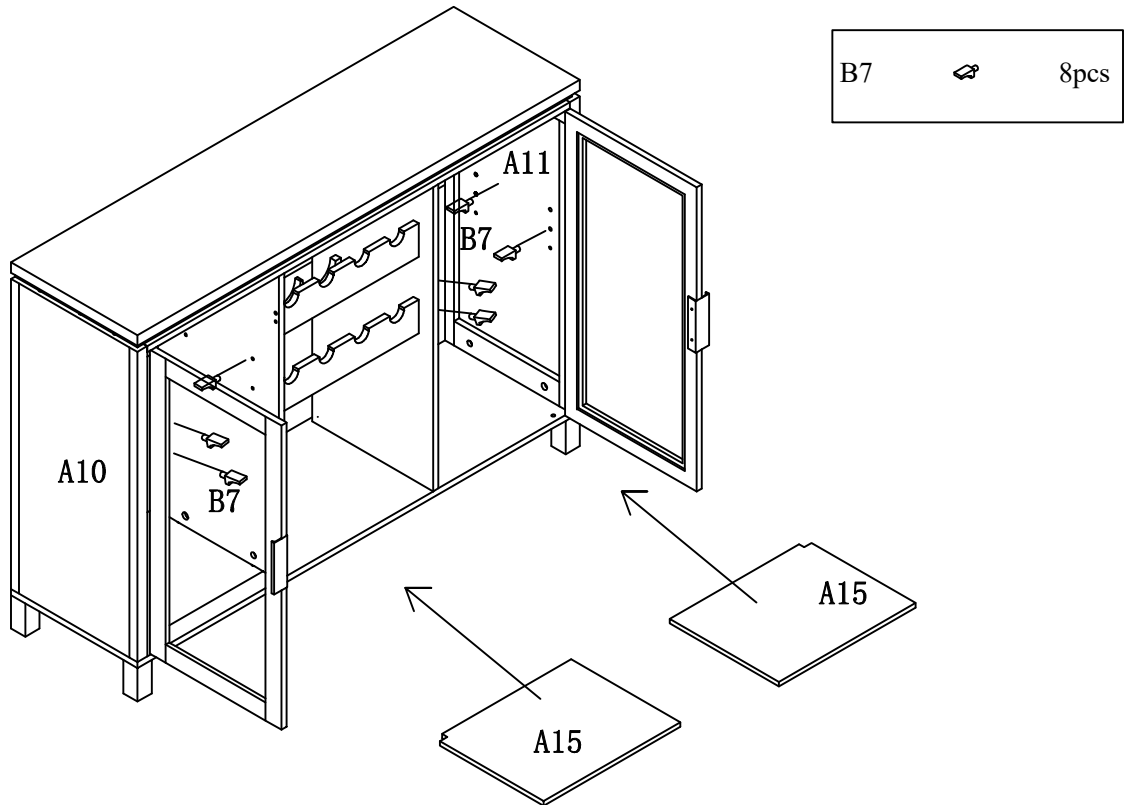


Insert Door Pins B6 into the hole on the two ends of Door Panel A13. Then attach Door Handle B8 to Door Panel A13 using included screws.

Connect Door Panel A13 to Bottom Panel A7, refer to Fig.1. Then press down Door Pin B6 (see Fig.2.) and hold the Door Panel carefully into the cabinet with the upper pin popping up into the hole of Top Panel A1.

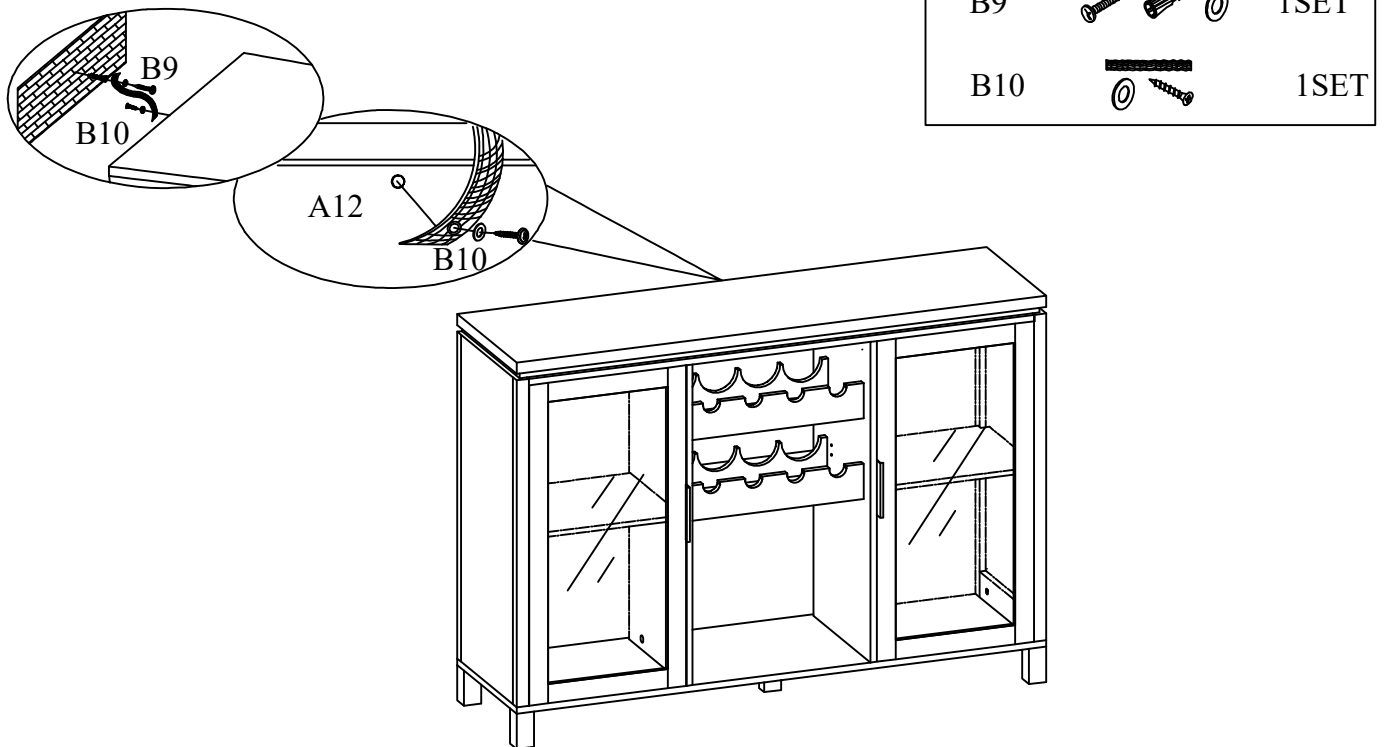
Repeat above steps to assemble Door Panel A14.

Step 9:



Insert the Shelf Supporters B7 into the holes of the Side Panels A10&A11 , then put the Shelf Panels A15 onto the Shelf Supporters B7.

Step 10:



Attach Anti-tip Kit B10 nylon strap to the Back Panel A12, then attach the other end of the nylon strap to the wall using Anchor and Screw B9 as shown above.