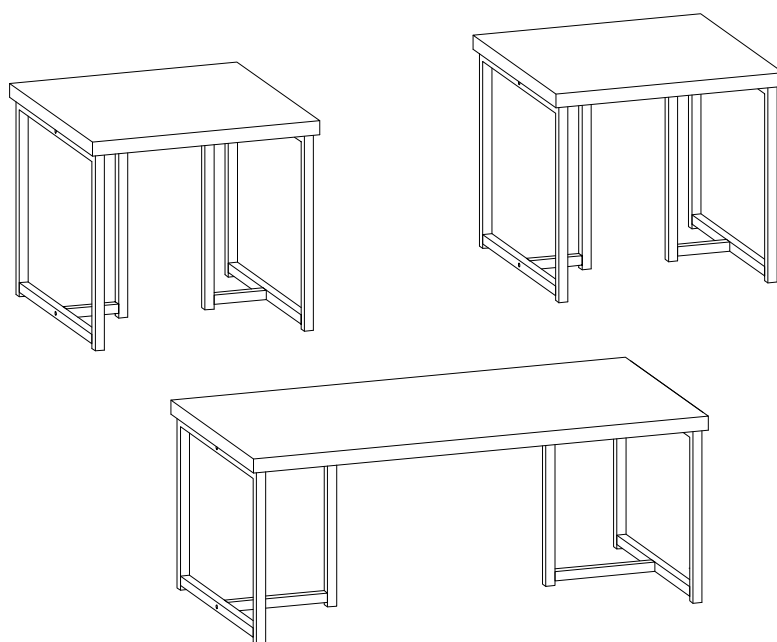


ASSEMBLY INSTRUCTIONS


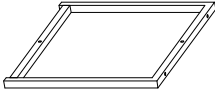

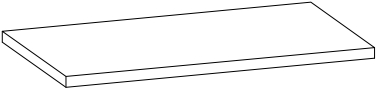
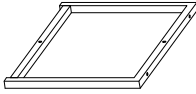

Style # T1178 3 PK TABLES



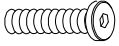
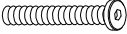

NOTE TO CUSTOMERS:

- For ease and speed of assembly we recommend that before you commence each step of the assembly that you identify all the parts required to complete that step.
- We recommend that where possible you allow sufficient space to assemble the item as close as possible to the place where it will be once assembled.
- For the protection of your furniture we recommend that the product is placed on protected surfaces during assembly to prevent any damage.
- During assembly do not over tighten, as this may damage the product.
- Please ensure you retain all the product packaging until the item completely assembled.
- Please periodically check all fittings and re-tighten as necessary.
- It is recommended that this item should be assembled by two adults.

Part List

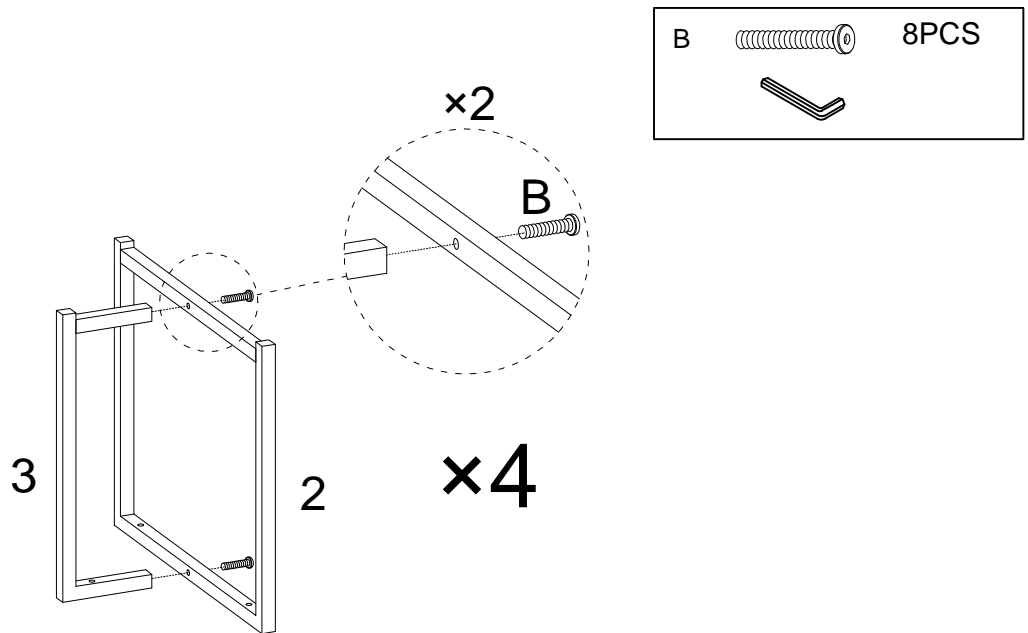
<p>1</p>  <p>Top Panel</p>	<p>Quantity of 2</p>	<p>2</p>  <p>Side frame</p>	<p>Quantity of 4</p>	<p>3</p>  <p>Support leg</p>	<p>Quantity of 4</p>
<p>4</p>  <p>Top Panel</p>	<p>Quantity of 1</p>	<p>5</p>  <p>Side frame</p>	<p>Quantity of 2</p>	<p>6</p>  <p>Support leg</p>	<p>Quantity of 2</p>

Hardware List

<p>A</p> <p>Quantity of 18</p>  <p>M6*1-1/8 INCH</p> <p>Bolt</p>	<p>B</p> <p>Quantity of 12</p>  <p>M6*1.4 INCH</p> <p>Bolt</p>		
---	---	--	--

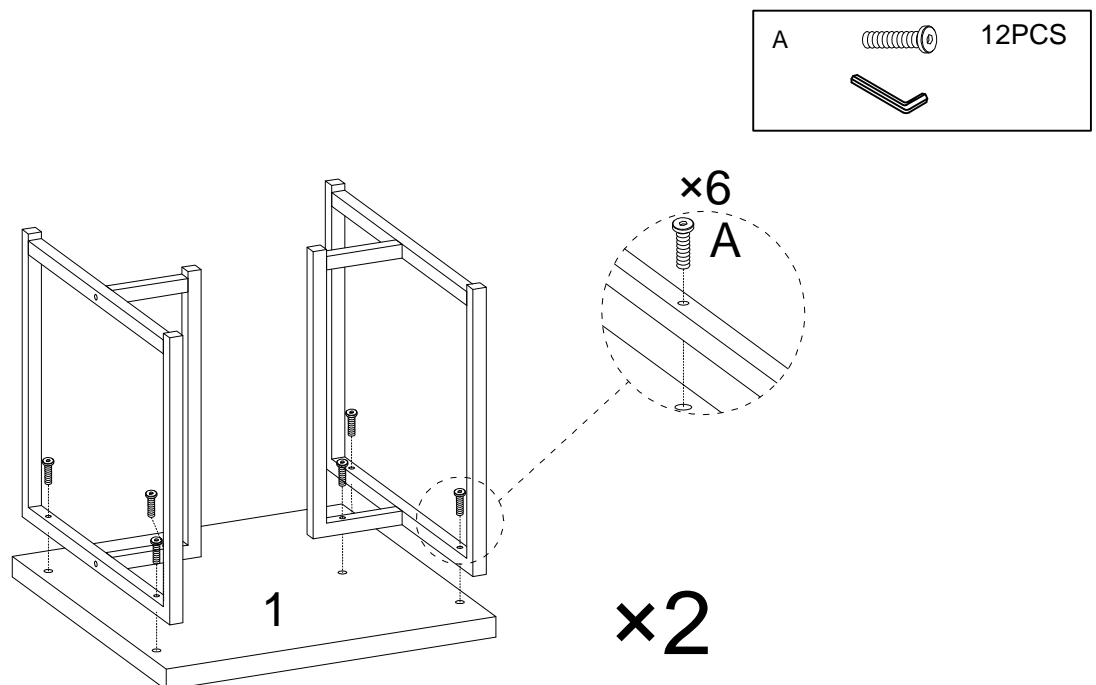
Assembly instructions

Step 1:



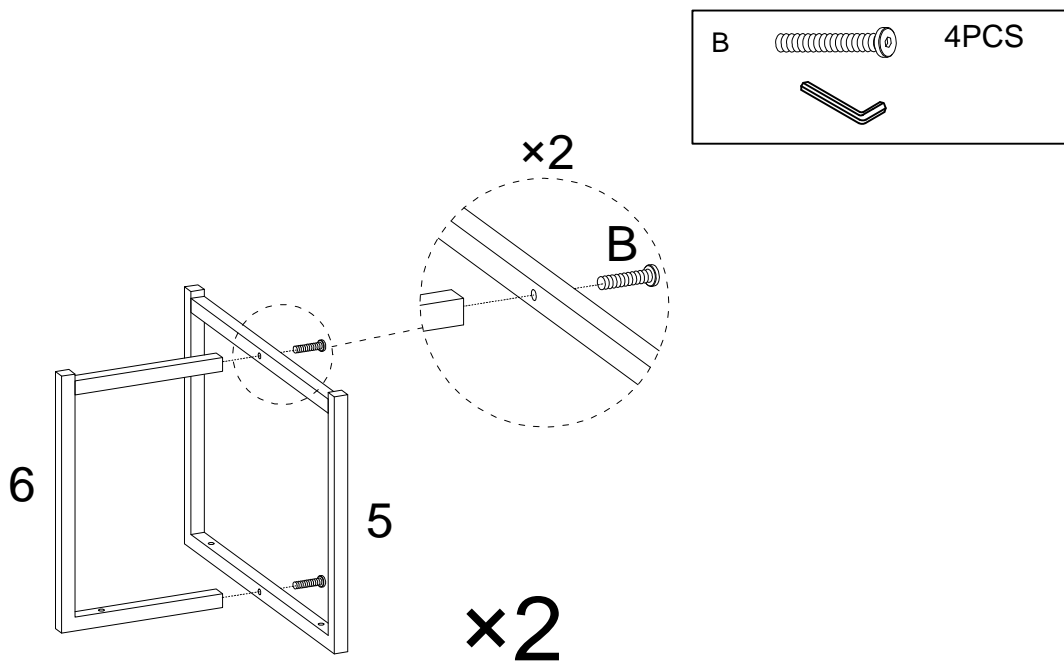
Do not tighten bolts B until step 2.

Step 2:



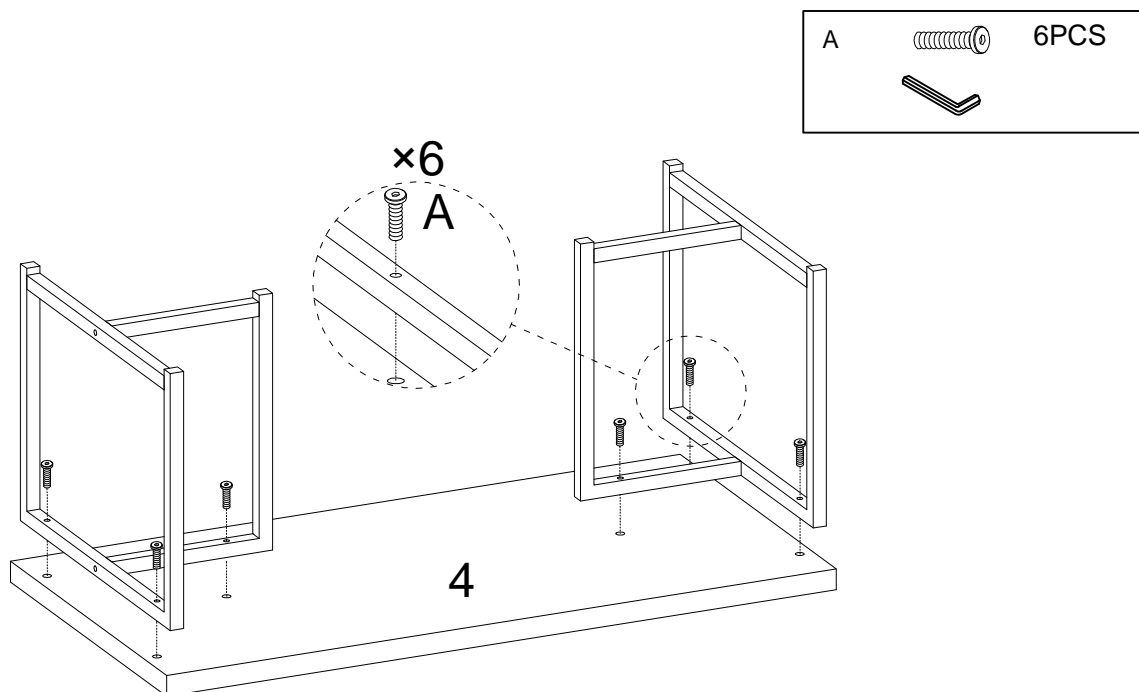
Place unit on the floor or on the flat surface and check if it is stable before tightening all bolts.

Step 3:



Do not tighten bolts B until step 4.

Step 4:



Place unit on the floor or on the flat surface and check if it is stable before tightening all bolts.