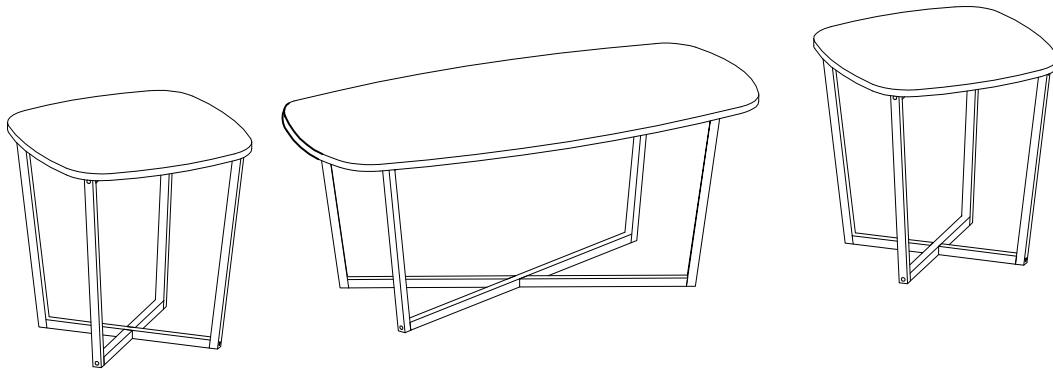


ASSEMBLY INSTRUCTIONS

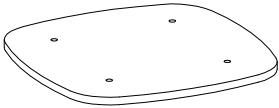
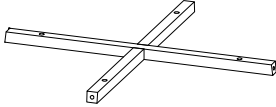
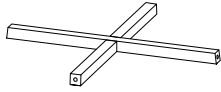


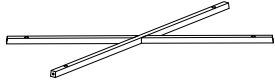
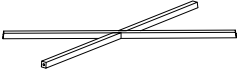

Style # T1177 3 PK TABLES



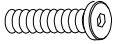


NOTE TO CUSTOMERS:

- For ease and speed of assembly we recommend that before you commence each step of the assembly that you identify all the parts required to complete that step.
- We recommend that where possible you allow sufficient space to assemble the item as close as possible to the place where it will be once assembled.
- For the protection of your furniture we recommend that the product is placed on protected surfaces during assembly to prevent any damage.
- During assembly do not over tighten, as this may damage the product.
- Please ensure you retain all the product packaging until the item completely assembled.
- Please periodically check all fittings and re-tighten as necessary.
- It is recommended that this item should be assembled by two adults.

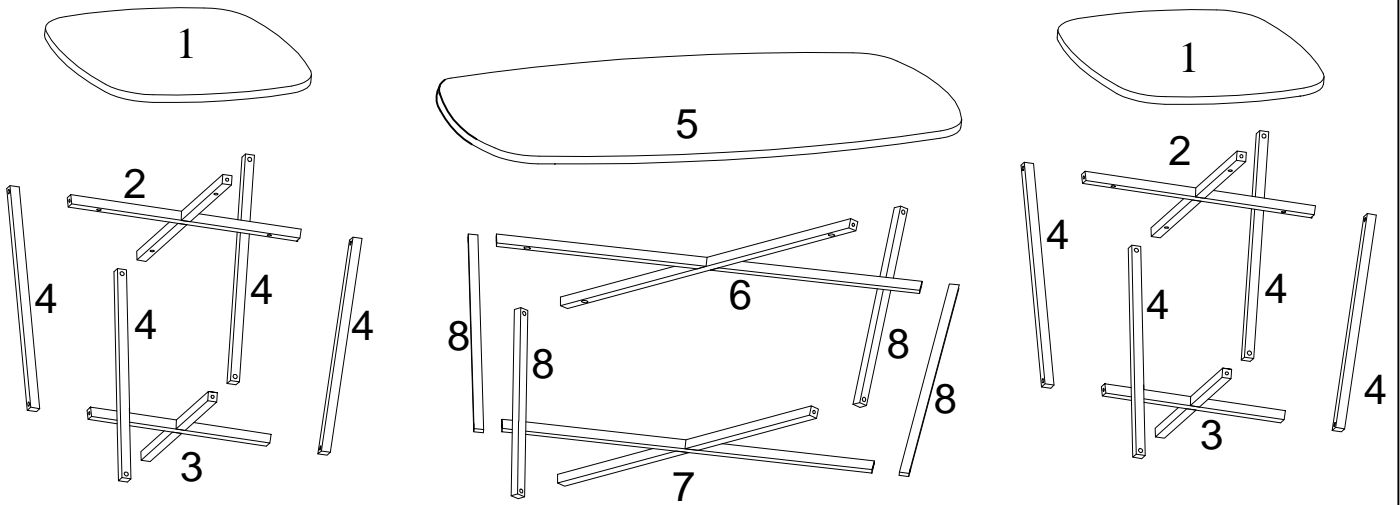
Part List

<p>1</p> <p style="text-align: right;">Quantity of 2</p>  <p>Top Panel</p>	<p>2</p> <p style="text-align: right;">Quantity of 2</p>  <p>Cross frame</p>	<p>3</p> <p style="text-align: right;">Quantity of 2</p>  <p>Cross frame</p>
<p>4</p> <p style="text-align: right;">Quantity of 8</p>  <p>Connect Bar</p>	<p>5</p> <p style="text-align: right;">Quantity of 1</p>  <p>Top Panel</p>	<p>6</p> <p style="text-align: right;">Quantity of 1</p>  <p>Cross frame</p>
<p>7</p> <p style="text-align: right;">Quantity of 1</p>  <p>Cross frame</p>	<p>8</p> <p style="text-align: right;">Quantity of 4</p>  <p>Connect Bar</p>	

Hardware List

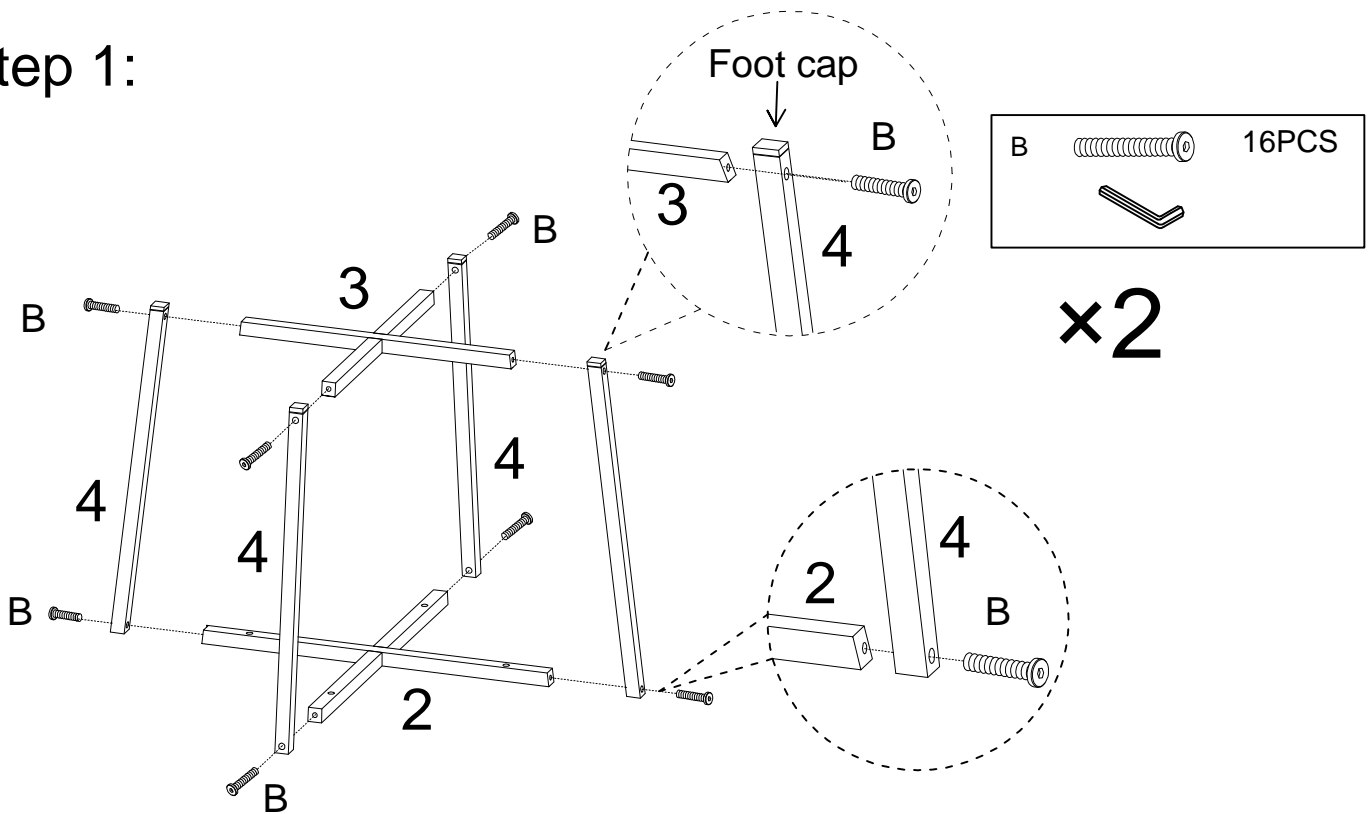
<p>A</p> <p style="text-align: right;">Quantity of 12</p>  <p>$\frac{1}{4}$"**1-1/8 INCH</p> <p>Bolt</p>	<p>B</p> <p style="text-align: right;">Quantity of 24</p>  <p>$\frac{1}{4}$"**1.4 INCH</p> <p>Bolt</p>		
--	--	--	--

Part List



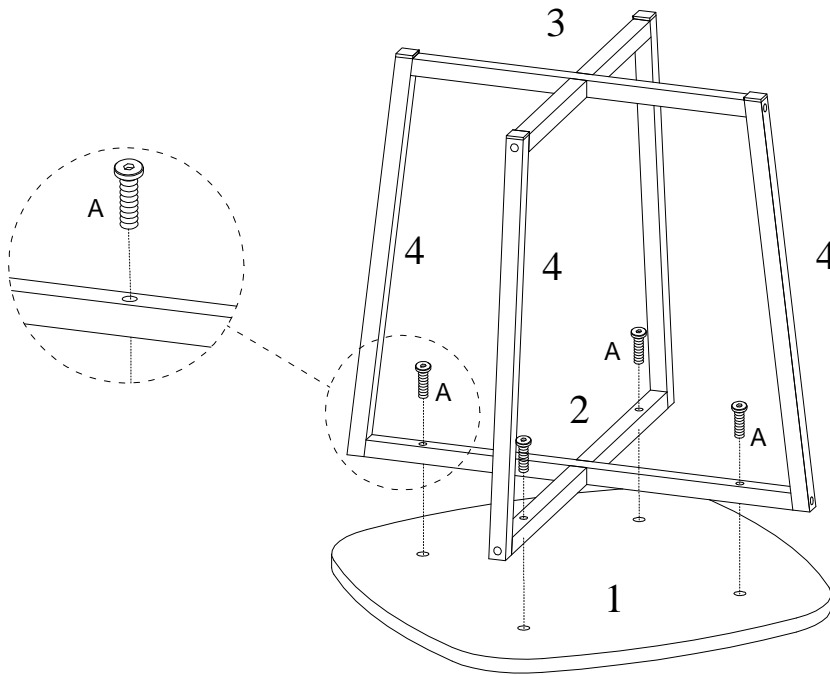
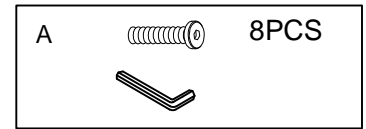
Assembly instructions

Step 1:



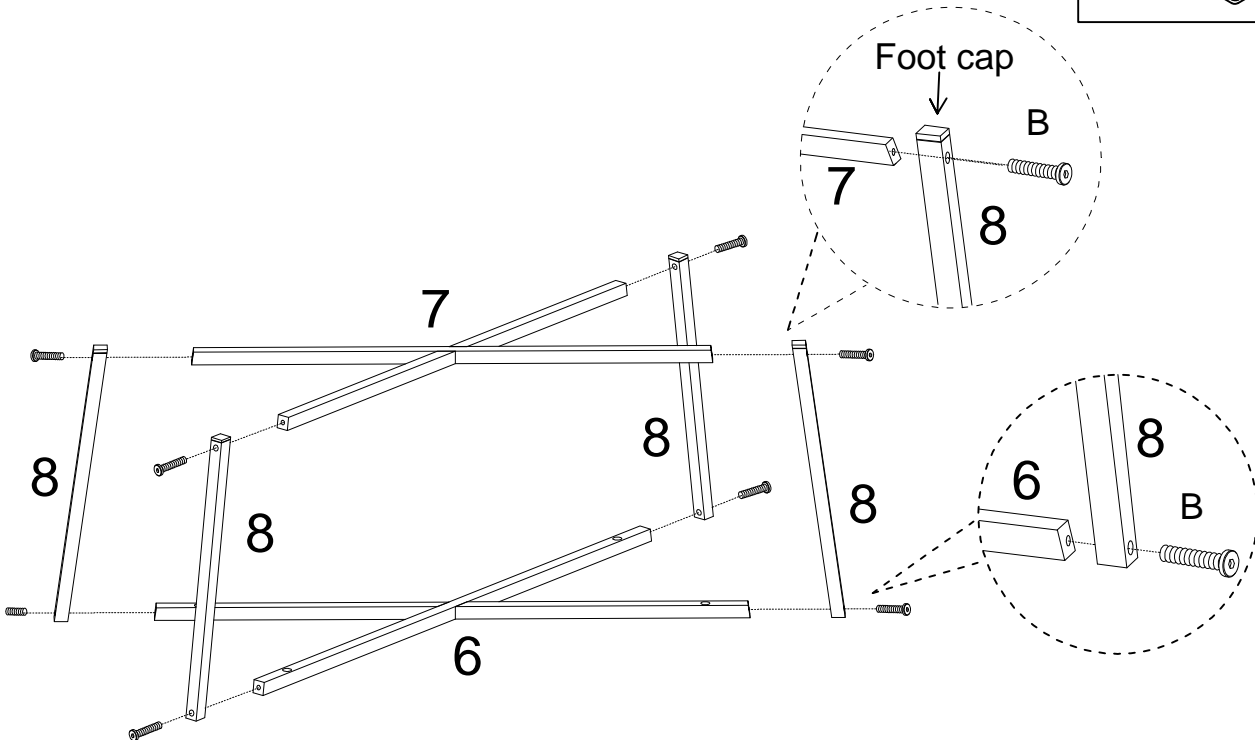
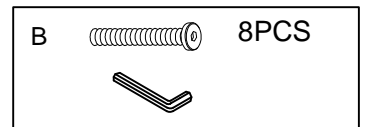
Do not tighten bolts B until step 5.

Step 2:



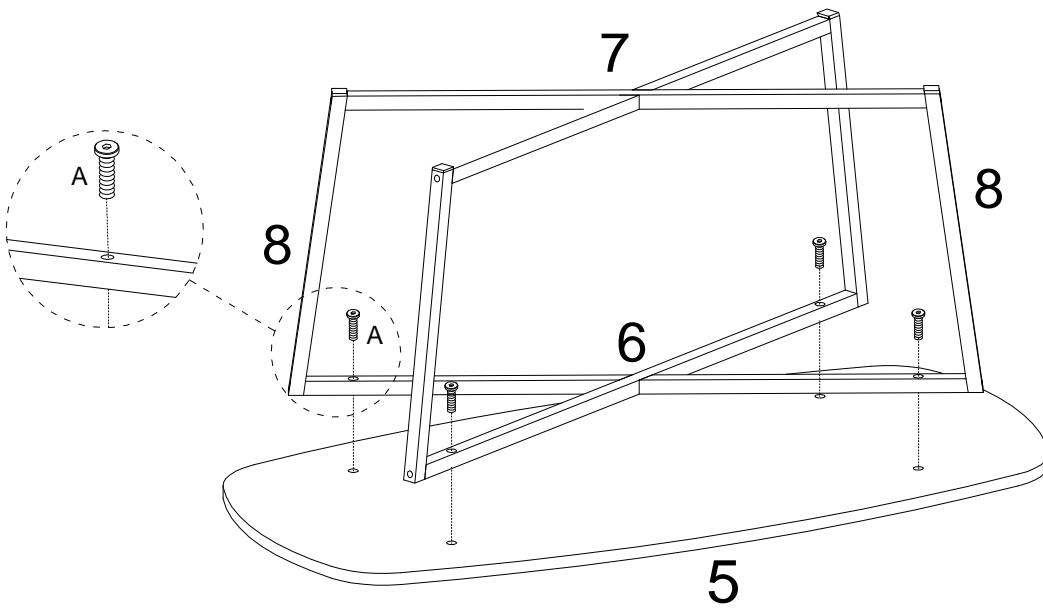
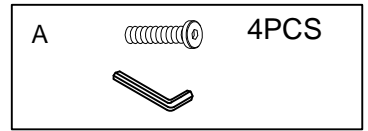
x2

Step 3:

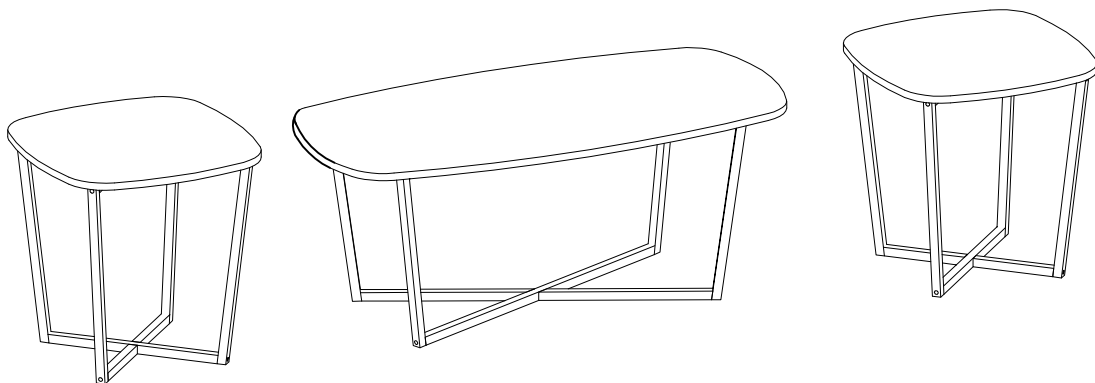


Do not tighten bolts B until step 5.

Step 4:



Step 5:



Place this set on the floor to check if it is stable before tightening all bolts.