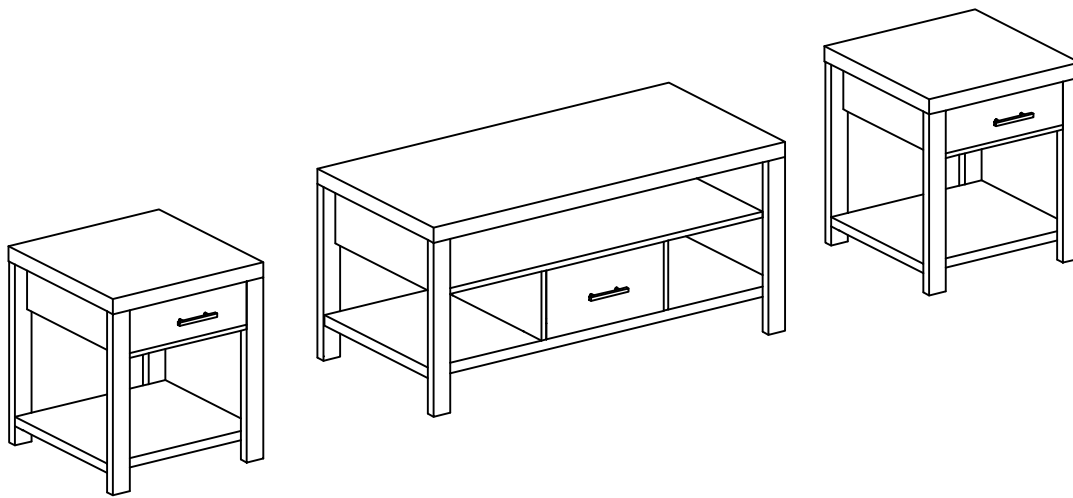


ASSEMBLY INSTRUCTIONS

Style # T1153-BL&T1153-WH 3 Pack Table



NOTE TO CUSTOMERS:

- For ease and speed of assembly we recommend that before you commence each step of the assembly that you identify all the parts required to complete that step.
- We recommend that where possible you allow sufficient space to assemble the item as close as possible to the place where it will be once assembled.
- For the protection of your furniture we recommend that the product is placed on protected surfaces during assembly to prevent any damage.
- During assembly do not over tighten, as this may damage the product.
- Please ensure you retain all the product packaging until the item completely assembled.
- Please periodically check all fittings and re-tighten as necessary.
- It is recommended that this item should be assembled by two adults.

To insert a cam lock: (Please read below instructions before assembling)

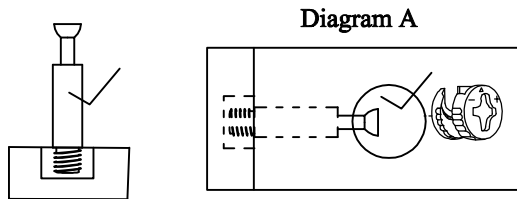


Diagram A

1. Insert cam screw into hole as shown in diagram A .

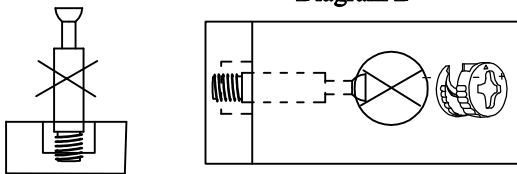


Diagram B

Make sure not to insert the cam screw:
Too deep as shown in figure B as this will cause the
cam screw to be misaligned and unable to
interlock properly.

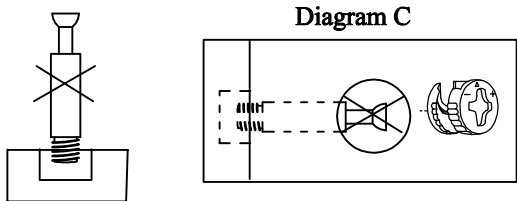
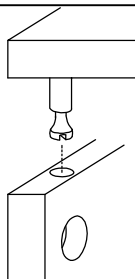
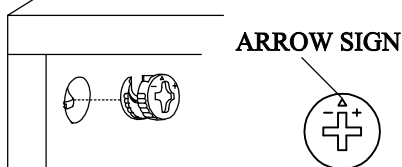


Diagram C

Also avoid inserting the cam screw too close to the
surface of the hole as shown in figure C, as this will
cause the cam lock to be too loose, and not interlock
properly.

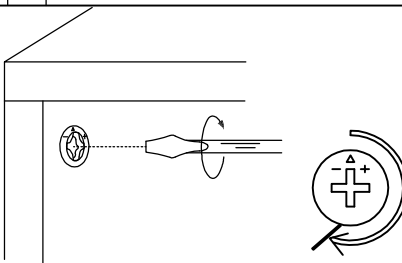


2. Connect the panels together.



ARROW SIGN

3. When inserting the cam lock make sure the arrow
of the cam lock faces the cam screw.



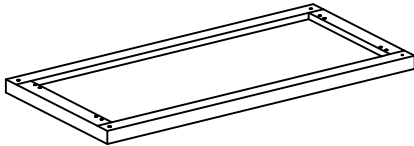
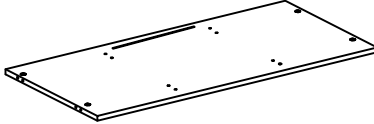
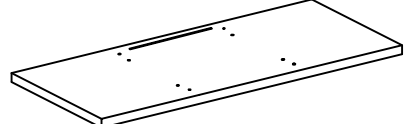
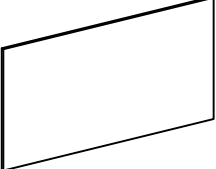
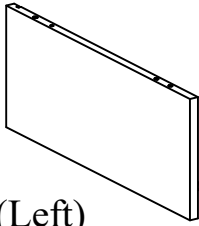
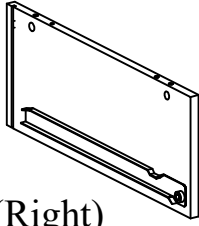
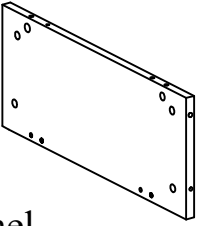

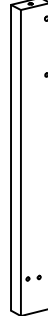

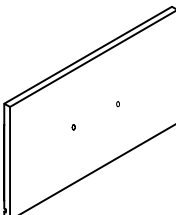
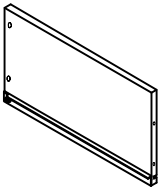
4. To tighten the cam lock turn the cam lock clockwise
90-180 degree or until the arrow is facing opposite
the place cam lock was inserted.

**NOTE: DO NOT USE AN AUTOMATIC
SCREWDRIVER TO TIGHTEN CAM LOCKS.**

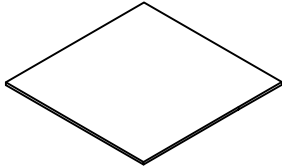
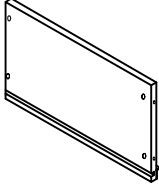
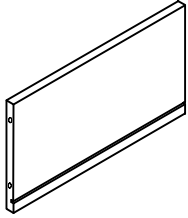
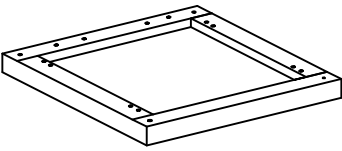

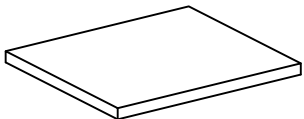
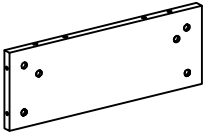
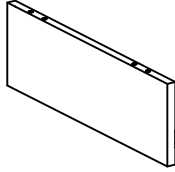
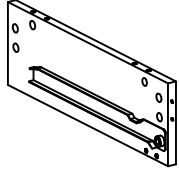



Note:

- Read these instructions carefully before assembling.
- Tools required : Phillips screwdriver, flat screwdriver.
- Find a clean, smooth area on which to work , such as a carpet, in order to avoid scratching the wood surfaces.
- Wait to dispose of the packing material until assembly is complete and all parts and hardware are accounted for.
- Two or more people might be required for assembly.


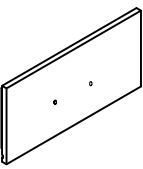
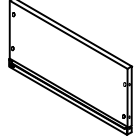
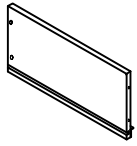
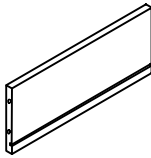
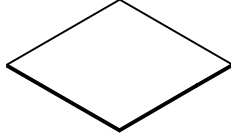
Part List

<p>1 Quantity of 1</p>  <p>Top Panel</p>	<p>2 Quantity of 1</p>  <p>Shelf Panel</p>	<p>3 Quantity of 1</p>  <p>Bottom Panel</p>
<p>4 Quantity of 1</p>  <p>Back Panel</p>	<p>5 Quantity of 1</p>  <p>Divider(Left)</p>	<p>6 Quantity of 1</p>  <p>Divider(Right)</p>
<p>7 Quantity of 2</p>  <p>Side Panel</p>	<p>8 Quantity of 2</p>  <p>Leg</p>	<p>9 Quantity of 2</p>  <p>Leg</p>
<p>10 Quantity of 1</p>  <p>Center Leg</p>	<p>11 Quantity of 1</p>  <p>Drawer Front Panel</p>	<p>12 Quantity of 1</p>  <p>Drawer Side Panel(Left)</p>

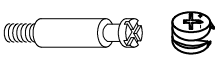
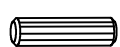


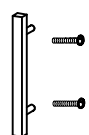



Part List

<p>13</p> <p style="text-align: right;">Quantity of 1</p>  <p>Drawer Bottom Panel</p>	<p>14</p> <p style="text-align: right;">Quantity of 1</p>  <p>Drawer Side Panel(Right)</p>	<p>15</p> <p style="text-align: right;">Quantity of 1</p>  <p>Drawer Back Panel</p>
<p>16</p> <p style="text-align: right;">Quantity of 2</p>  <p>Top Panel</p>	<p>17</p> <p style="text-align: right;">Quantity of 2</p>  <p>Connect Bar</p>	<p>18</p> <p style="text-align: right;">Quantity of 2</p>  <p>Bottom Panel</p>
<p>19</p> <p style="text-align: right;">Quantity of 2</p>  <p>Back Panel</p>	<p>20</p> <p style="text-align: right;">Quantity of 2</p>  <p>Side Panel(Left)</p>	<p>21</p> <p style="text-align: right;">Quantity of 2</p>  <p>Side Panel(Right)</p>
<p>22</p> <p style="text-align: right;">Quantity of 2</p>  <p>Front Leg(Left)</p>	<p>23</p> <p style="text-align: right;">Quantity of 2</p>  <p>Rear Leg(Left)</p>	<p>24</p> <p style="text-align: right;">Quantity of 2</p>  <p>Front Leg(Right)</p>

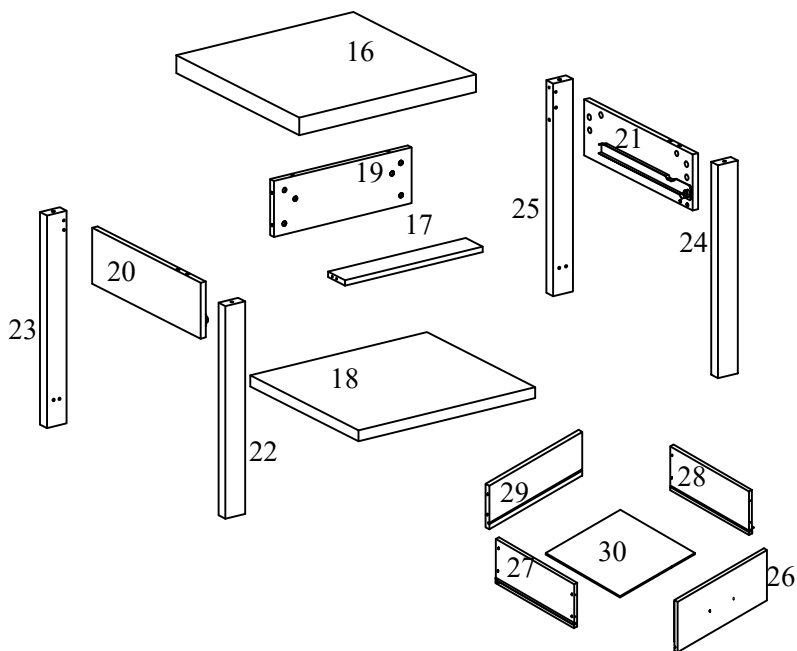
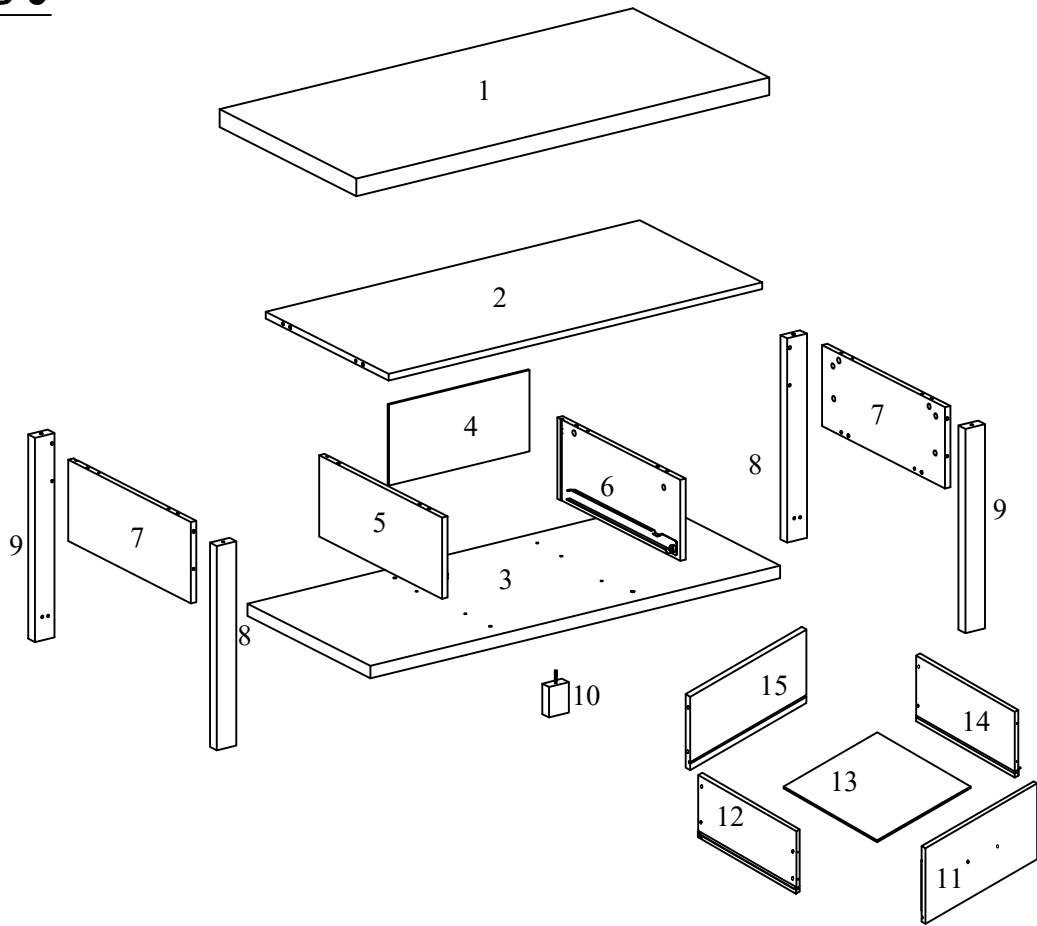
Part List

<p>25</p>  <p style="text-align: center;">Quantity of 2</p> <p>Rear Leg(Right)</p>	<p>26</p>  <p style="text-align: center;">Quantity of 2</p> <p>Drawer Front Panel</p>	<p>27</p>  <p style="text-align: center;">Quantity of 2</p> <p>Drawer Side Panel(Left)</p>
<p>28</p>  <p style="text-align: center;">Quantity of 2</p> <p>Drawer Side Panel(Right)</p>	<p>29</p>  <p style="text-align: center;">Quantity of 2</p> <p>Drawer Back Panel</p>	<p>30</p>  <p style="text-align: center;">Quantity of 2</p> <p>Drawer Bottom Panel</p>

Hardware List

<p>A</p>  <p style="text-align: center;">Quantity of 72</p> <p>Camlock</p>	<p>B</p>  <p style="text-align: center;">Quantity of 44</p> <p>Wood Dowel</p>	<p>C</p>  <p style="text-align: center;">Quantity of 16</p> <p>Bolt</p>	<p>D</p>  <p style="text-align: center;">Quantity of 4</p> <p>Small Plastic Connect Block</p>
<p>E</p>  <p style="text-align: center;">Quantity of 3</p> <p>Handle with Bolt</p>	<p>F</p>  <p style="text-align: center;">Quantity of 12</p> <p>Plastic Connect Block</p>	<p>G</p>  <p style="text-align: center;">Quantity of 52</p> <p>Screw</p>	<p>Allen Wrench</p>  <p style="text-align: center;">Quantity of 1</p>

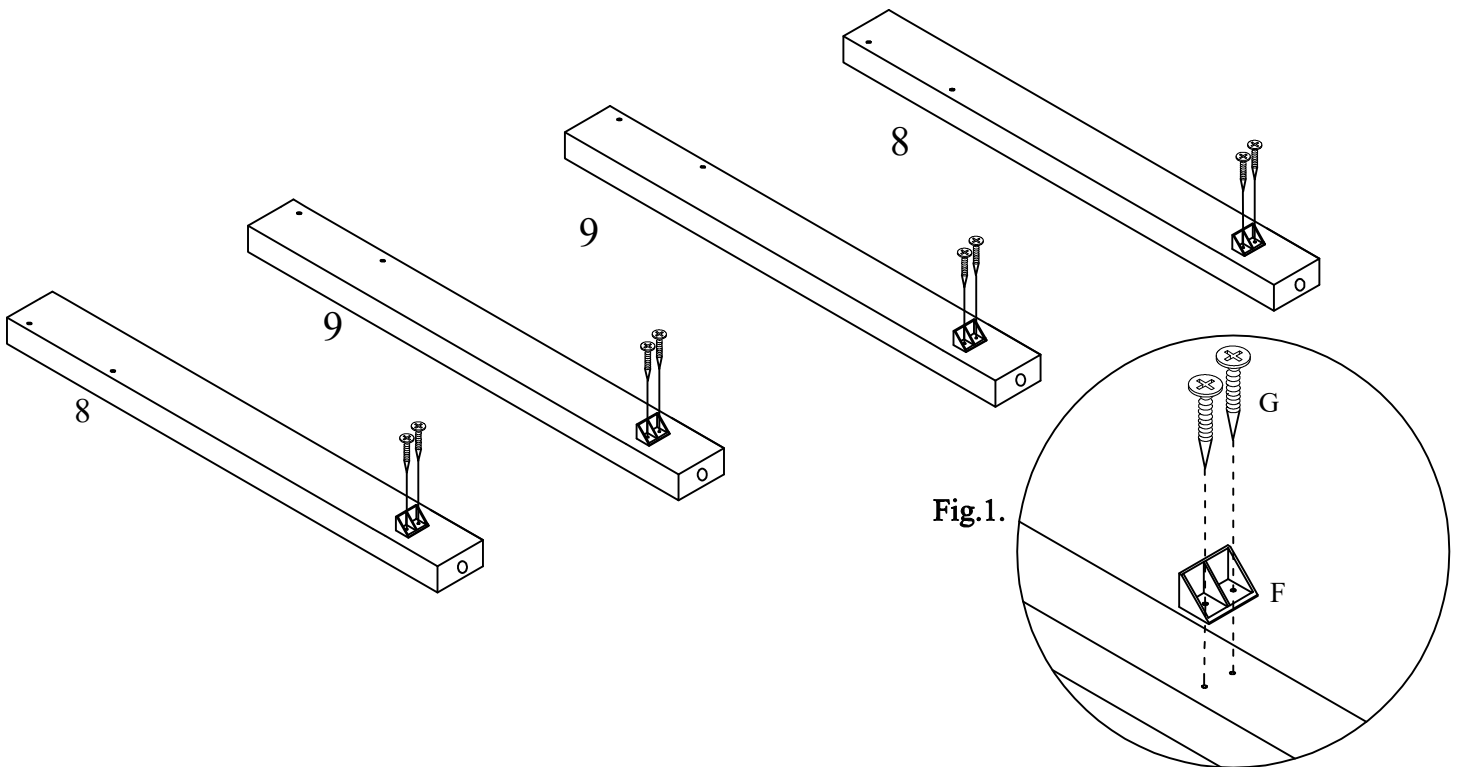
Part List



x2

Step 1:

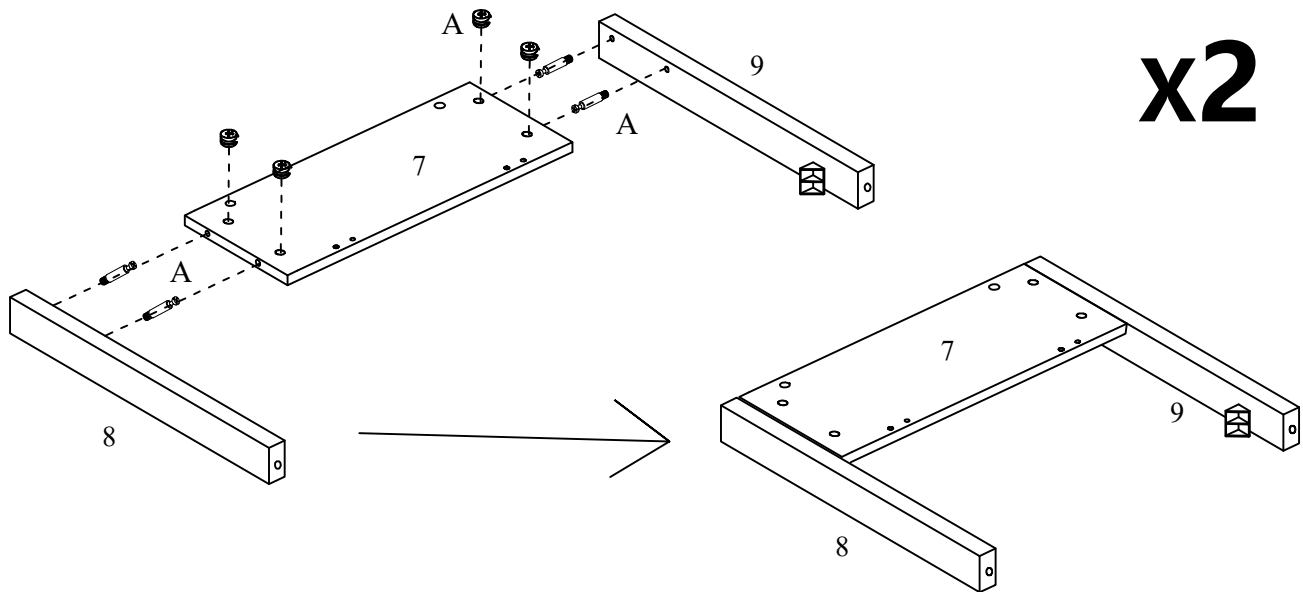
G		8pcs
F		4pcs



Assemble Plastic Connect Blocks (F) to Legs (8&9) using Screws (G), Please assure the holes on the plastic connect block to align with the holes on legs, refer to Fig.1.

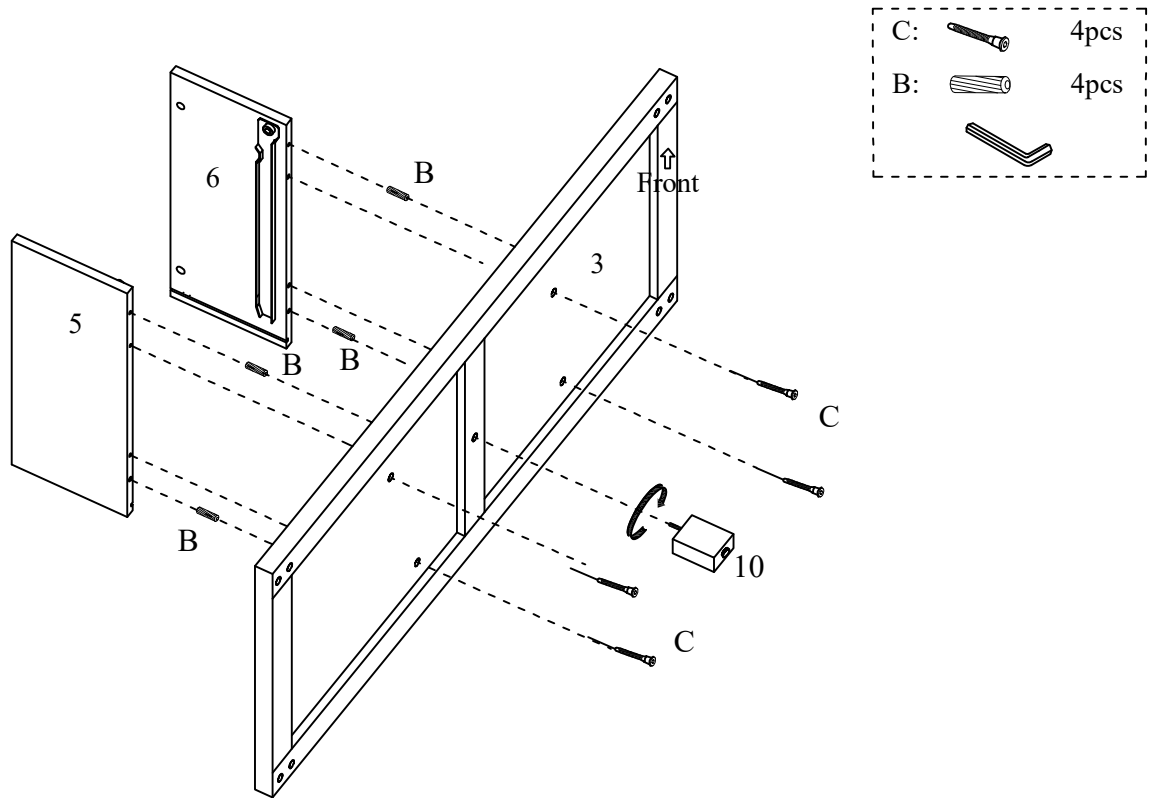
Step 2:

A		8sets
---	---	-------



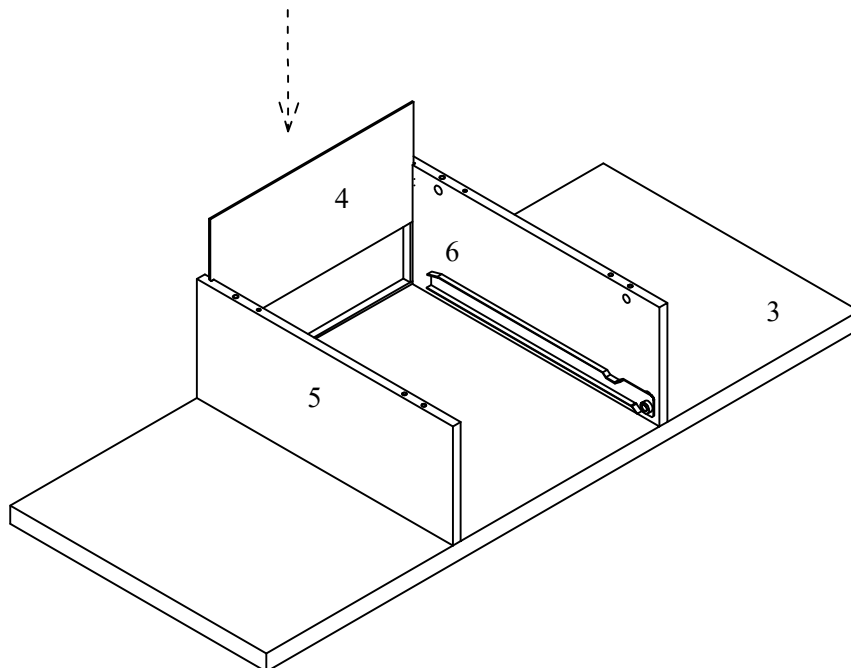
Assemble Legs (8&9) to Side Panel (7) using Cam-Locks (A) as shown above.

Step 3:



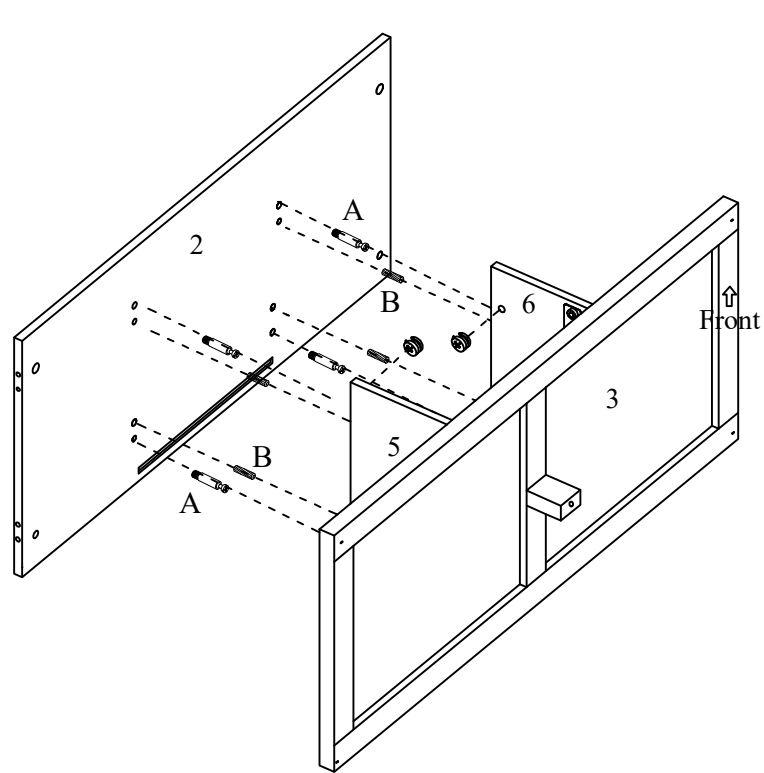
Assemble Dividers (5&6) to Bottom Panel (3) using Bolts (C) and Wood Dowels (B) as shown above.
Tighten Center Leg (10) to the bottom of Bottom Panel (3).

Step 4:



Insert Back Panel (4) into the grooves on Dividers (5&6) as shown above.

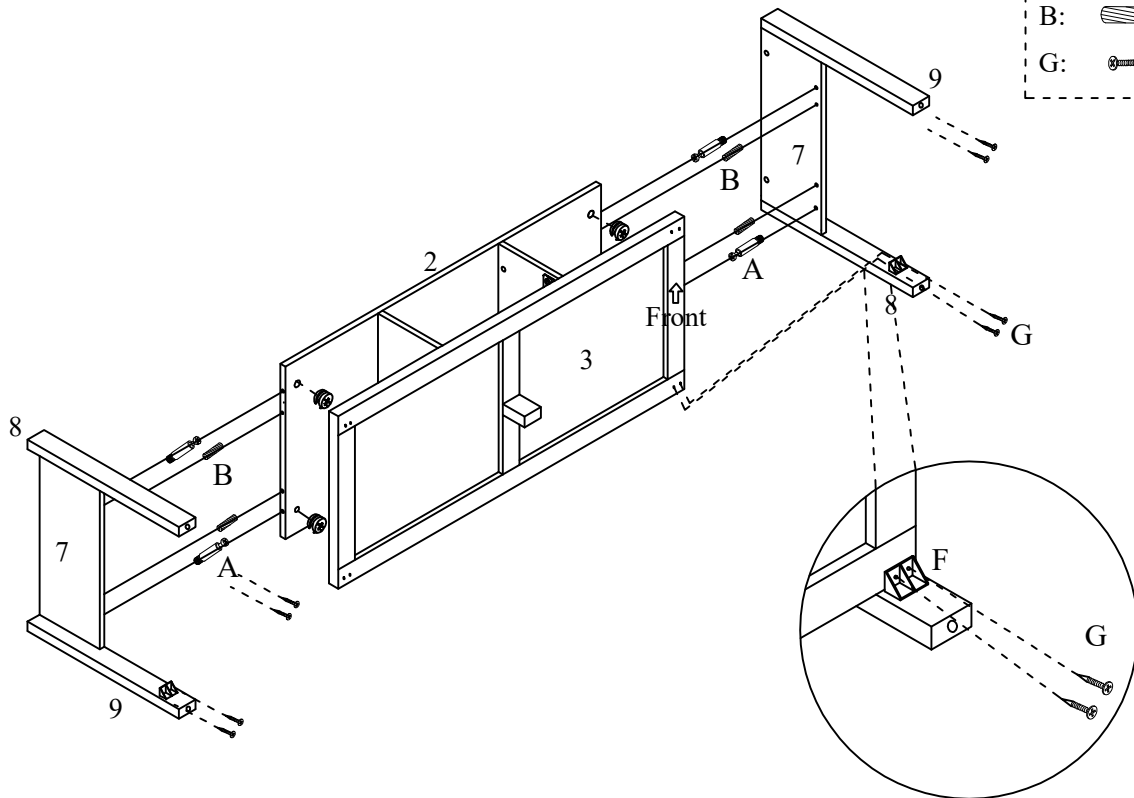
Step 5:



- | | | |
|---|--|-------|
| A | | 4sets |
| B | | 4pcs |

Assemble Shelf Panel (2) to Dividers (5&6) using Cam-Locks (A) and Wood Dowels (B) as shown above.

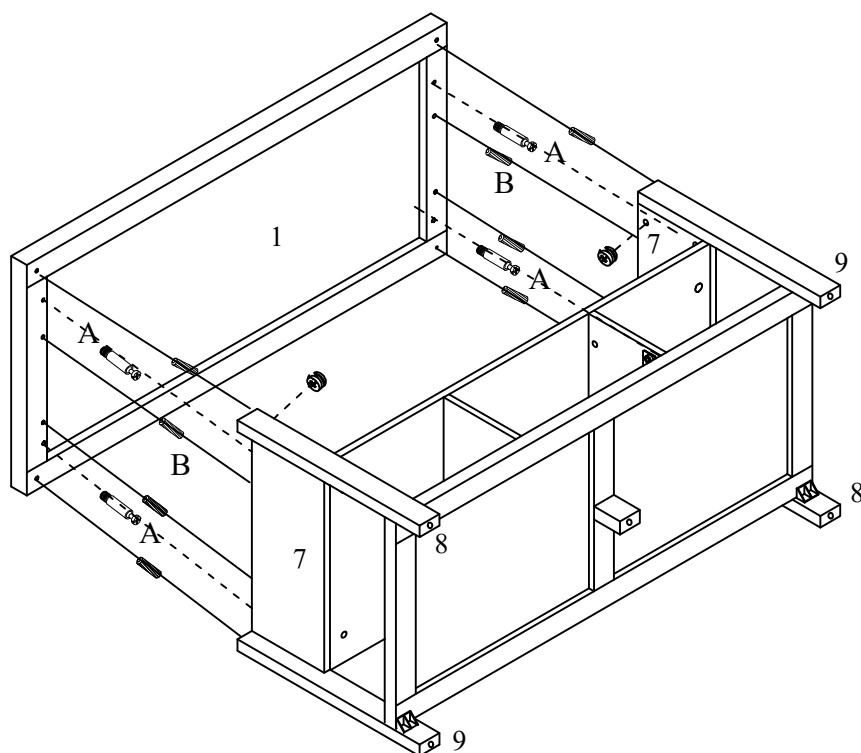
Step 6:





- | | | |
|---|--|-------|
| A | | 4sets |
| B | | 4pcs |
| G | | 8pcs |

Assemble Side Panels (7) and Legs (8&9) to Shelf Panel (2) and Bottom Panel (3) using Cam-Locks (A), Wood Dowels (B) and Screws(G) as shown above.

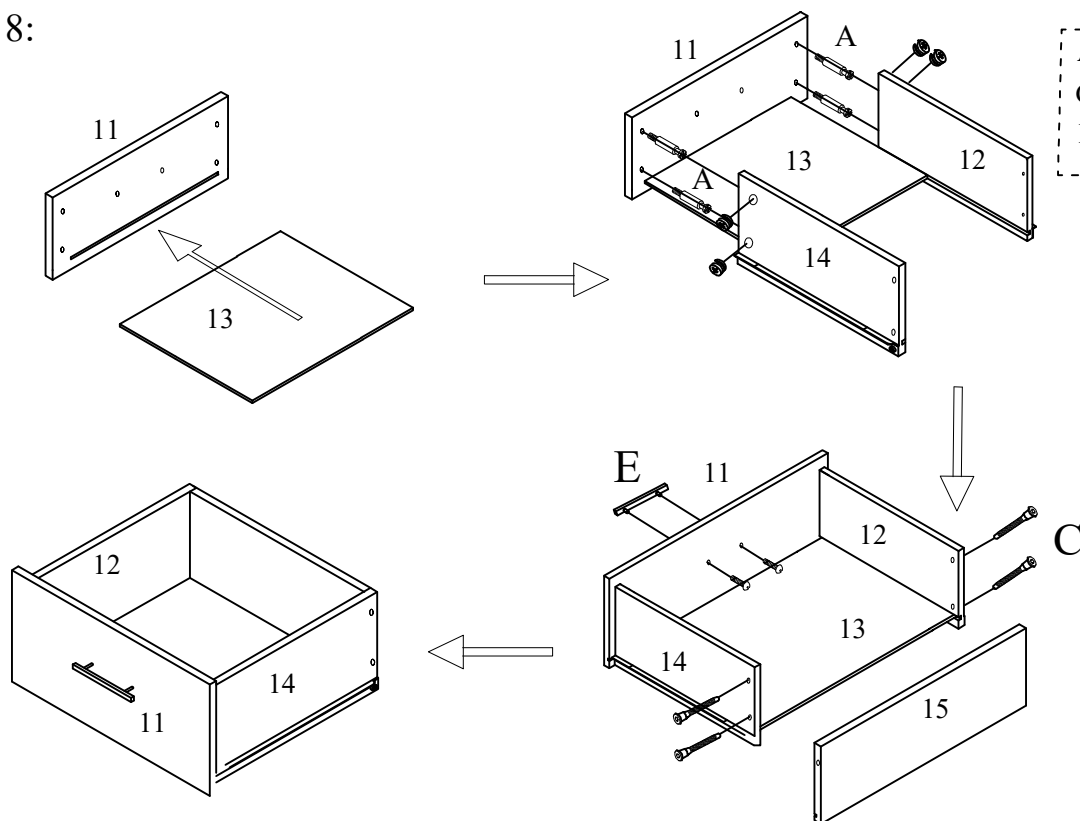
Step 7:






- A:  4sets
- B:  8pcs

Assemble Top Panel (1) to Side Panels (7) and Legs (8&9) using Cam-Locks (A) and Wood Dowels (B) as shown above.

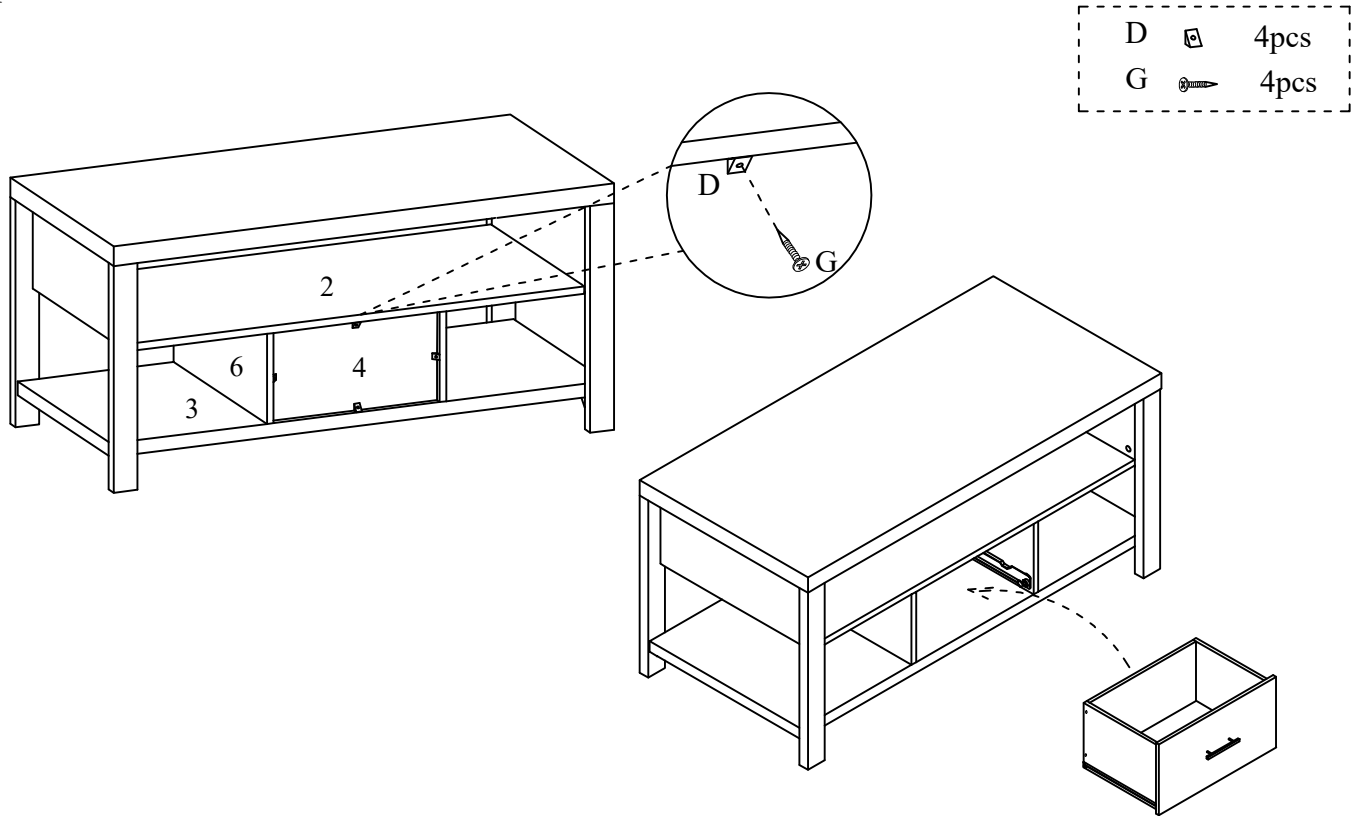
Step 8:



- A:  4sets
- C:  4pcs
- E:  1sets

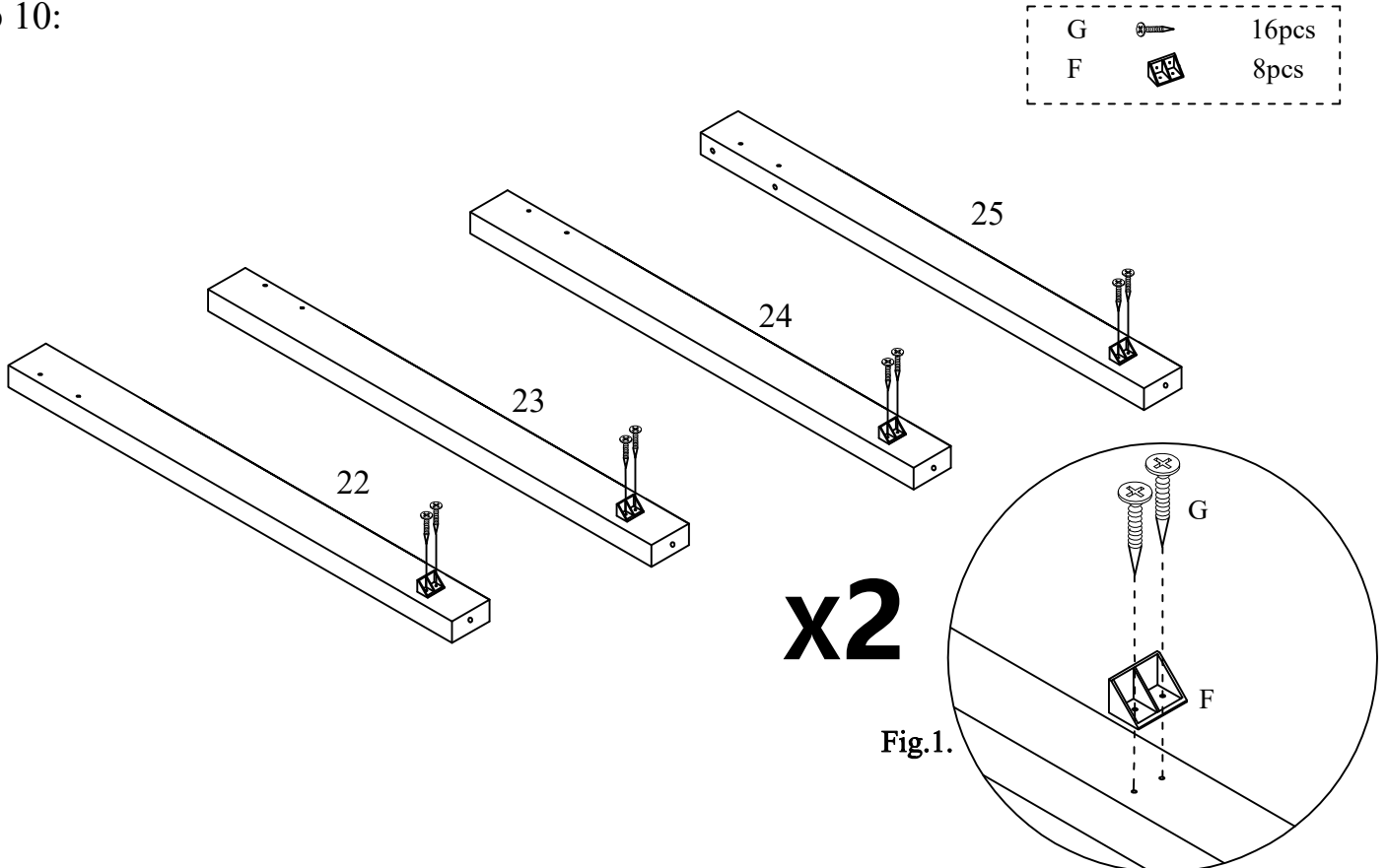
Insert Drawer Bottom Panel (13) into the grooves on Drawer Front Panel (11).
 Assemble Drawer Side Panels (12&14) to Drawer Front Panel (11) using Cam-Locks(A).
 Attach Drawer Back Panel (15) to Drawer Side Panels (12&14) using Bolts (C).
 Attach Drawer Handle (E) to Drawer Front Panel (11) using Included bolts.

Step 9:




Attach Small Plastic Connect Blocks (D) to Dividers (5&6), Shelf Panel (2) and Bottom Panel (3) to hold Back Panel (4) using Screws (G) as shown above.
 Insert Drawer into the unit as shown above.

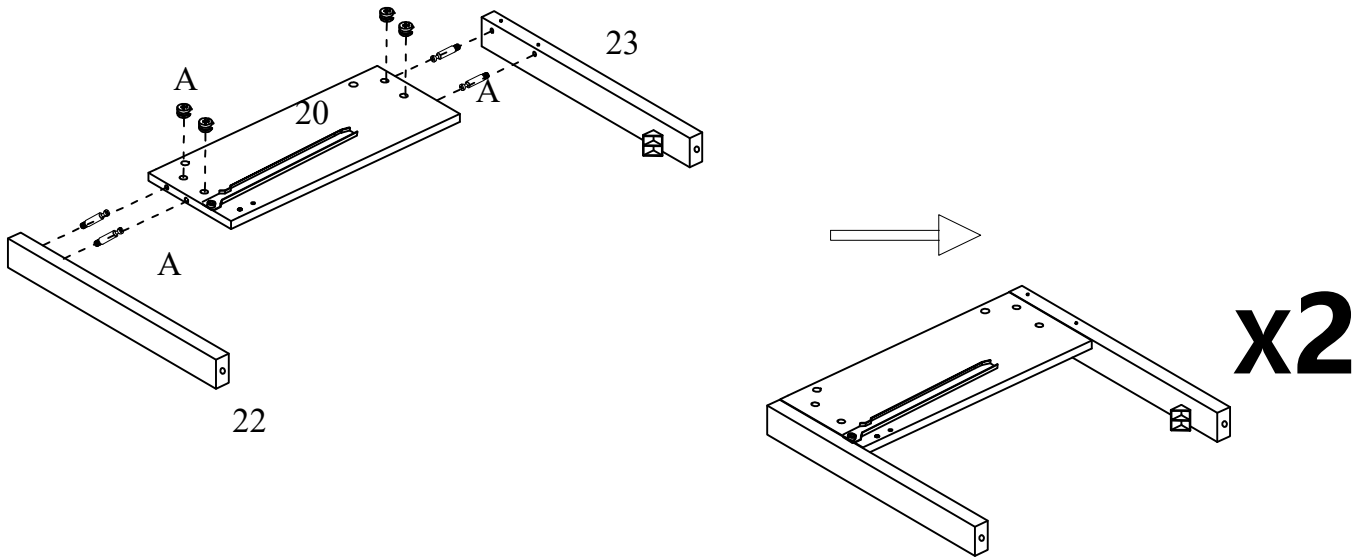
Step 10:



Assemble Plastic Connect Blocks (F) to Legs (22&23&24&25) using Screws (G), Please assure the holes on the plastic connect block to align with the holes on legs, refer to Fig.1.

Step 11:

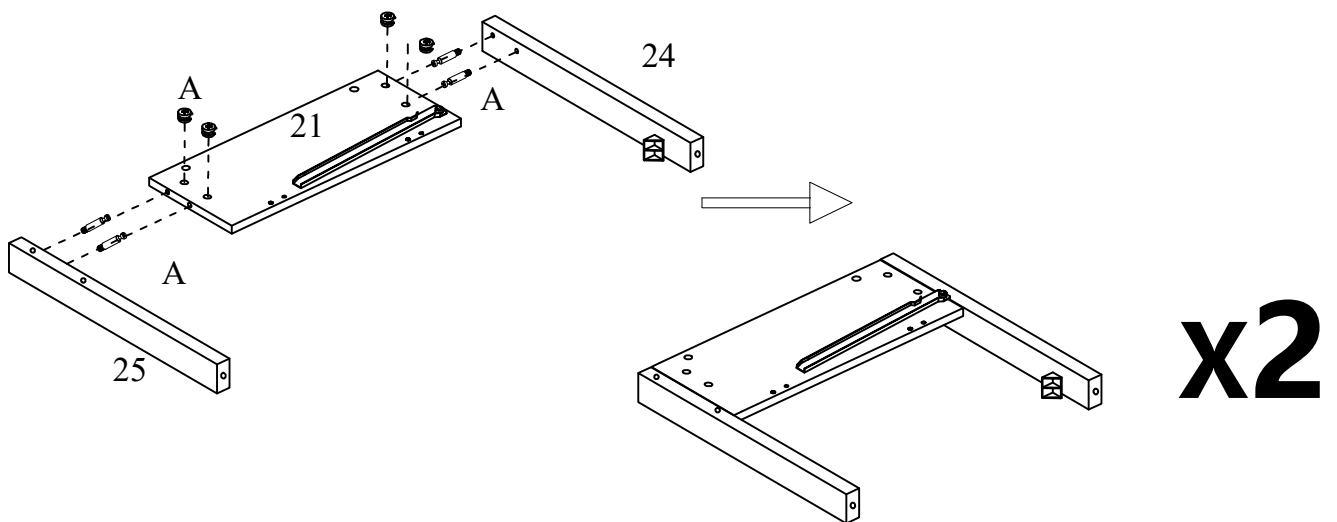
A:  8sets



Assemble Legs (22&23) to Side Panel (20) using Cam-Locks (A) as shown above.

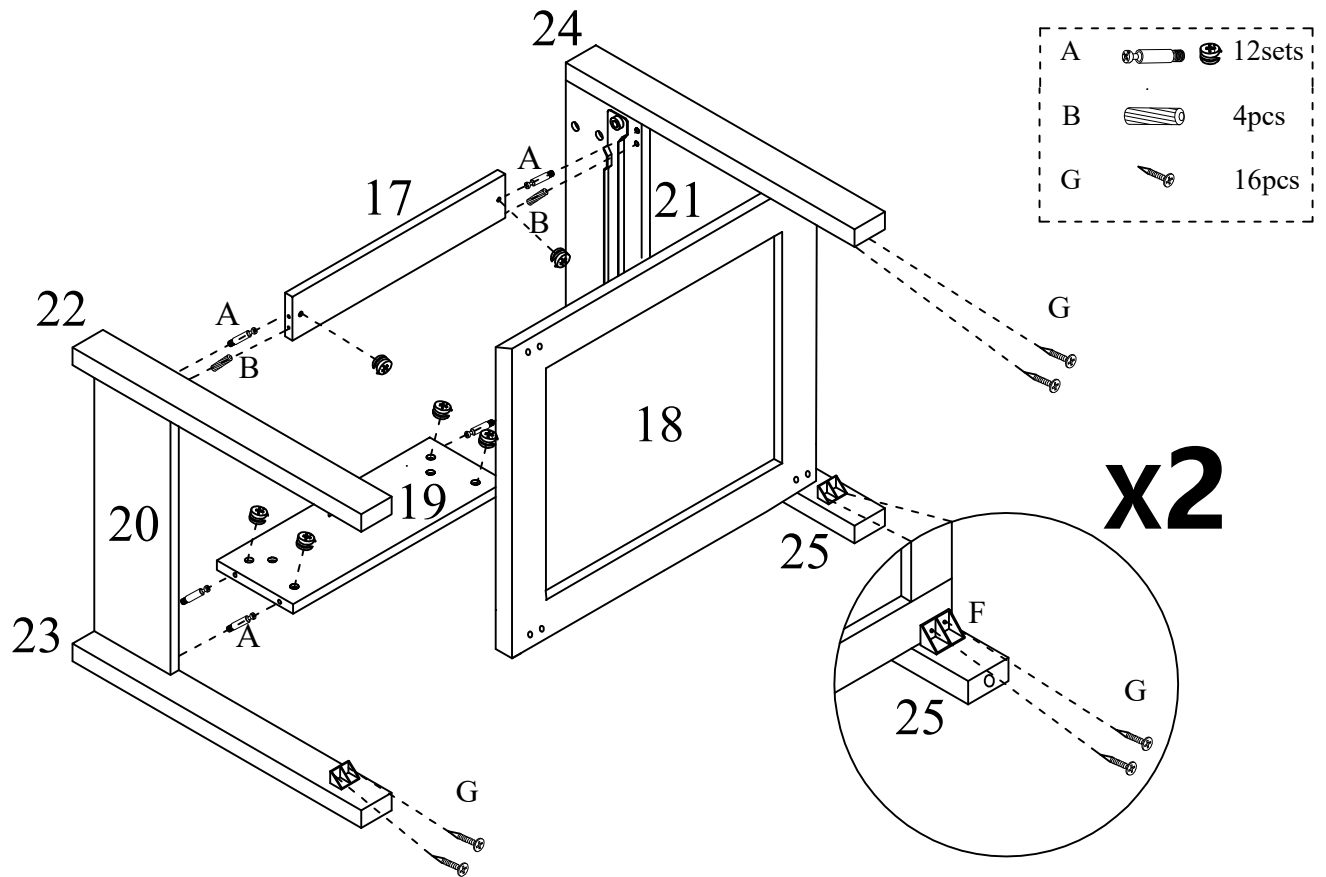
Step 12:

A:  8sets



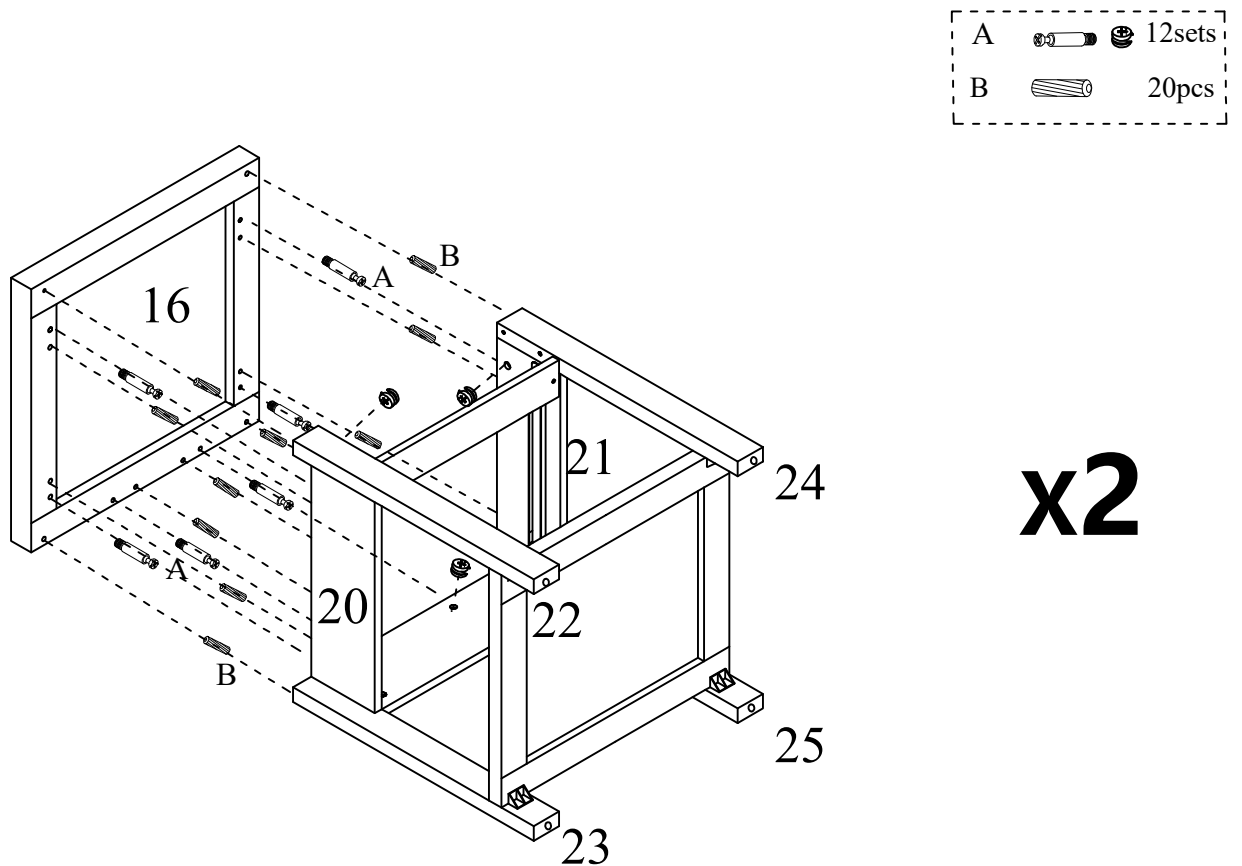
Assemble Legs (24&25) to Side Panel (21) using Cam-Locks (A) as shown above.

Step 13:



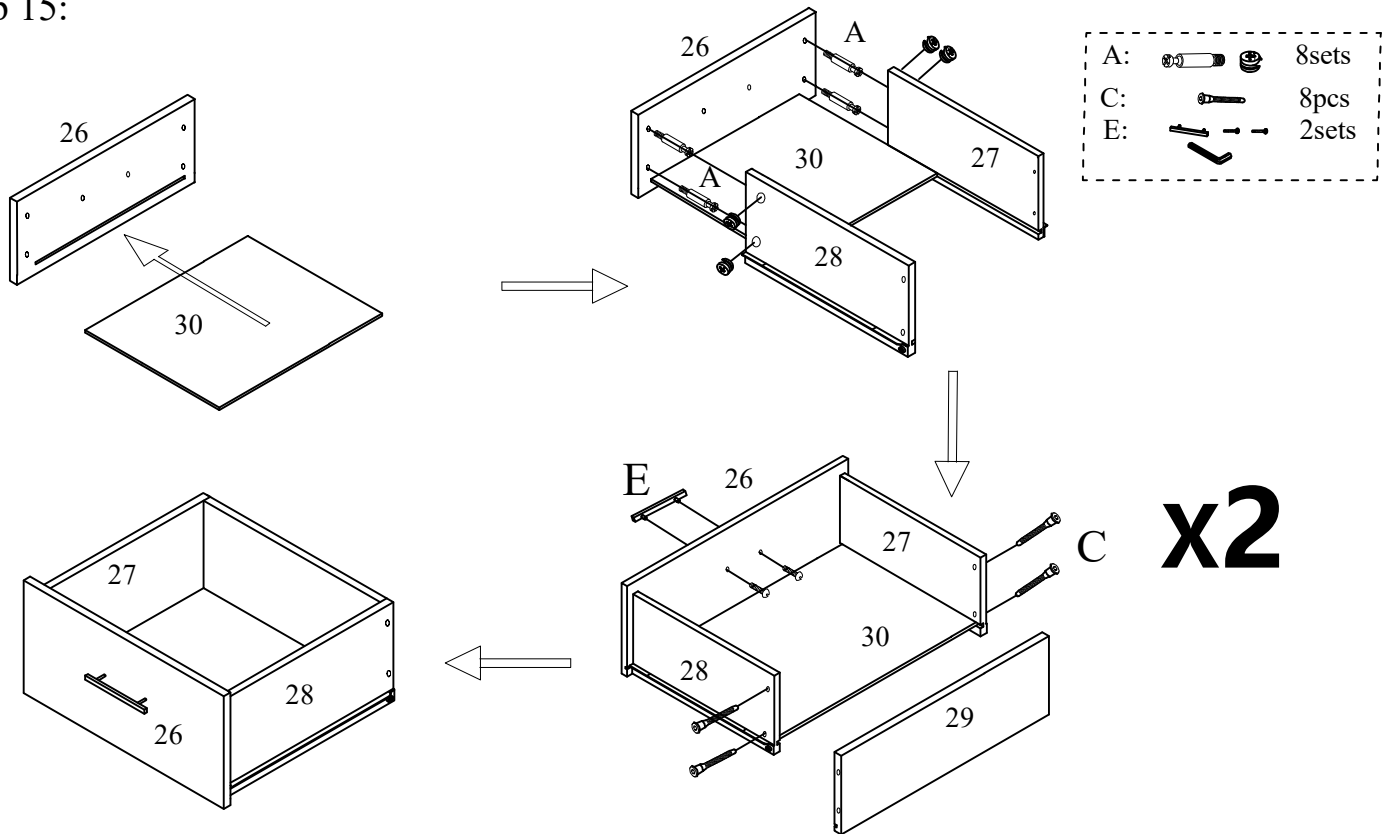
Assemble Side Panels (20&21) and Legs (22&23&24&25) to Connect Bar (17), Bottom Panel (18) and Back Panel (19) using Cam-Locks (A), Wood Dowels (B) and Screws (G) as shown above.

Step 14:



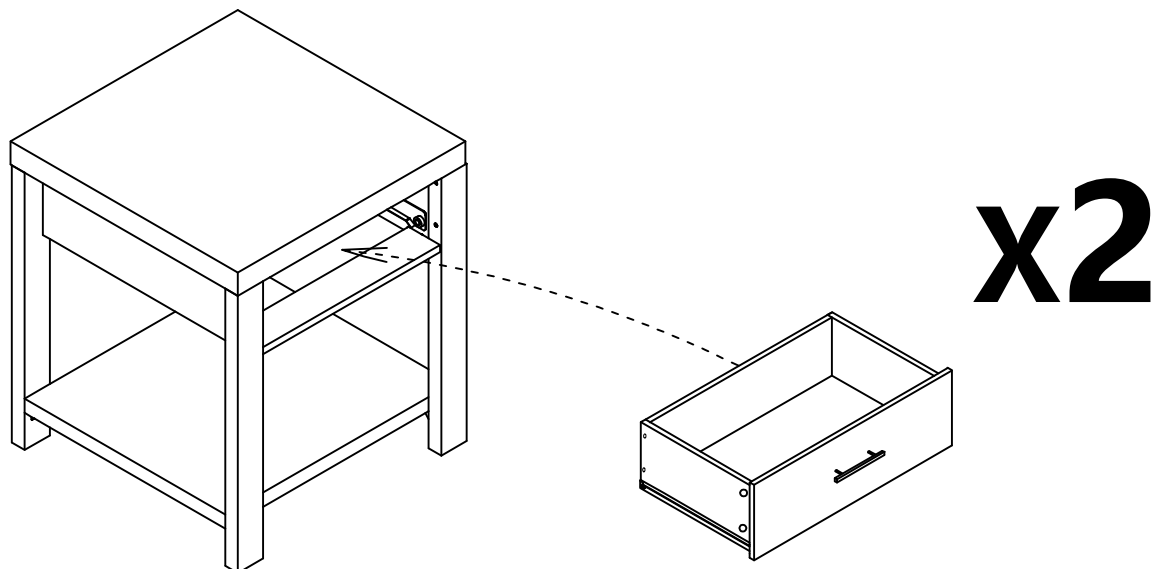
Assemble Top Panel (16) to Side Panels (20&21) and Legs (22&23&24&25) using Cam-Locks (A) and Wood Dowels (B) as shown above.

Step 15:



Insert Drawer Bottom Panel (30) into the grooves on Drawer Front Panel (26).
 Assemble Drawer Side Panels (27&28) to Drawer Front Panel (26) using Cam-Locks(A).
 Attach Drawer Back Panel (29) to Drawer Side Panels (27&28) using Bolts (C).
 Attach Drawer Handle (E) to Drawer Front Panel (26) using Included bolts.

Step 16:



Insert Drawer into the unit as shown above.

Step 17:

