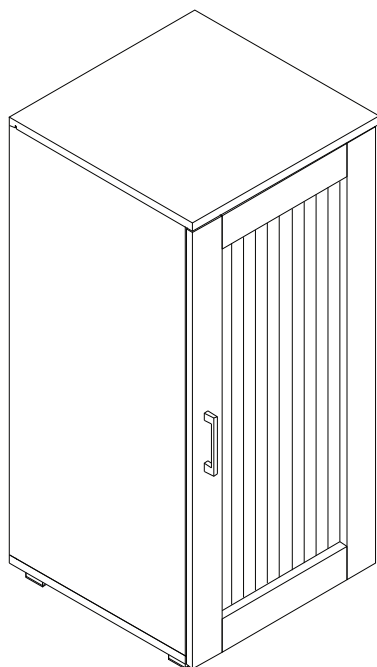


ASSEMBLY INSTRUCTIONS


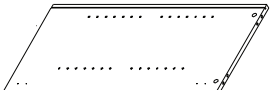
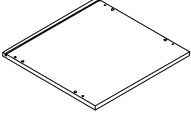
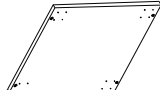
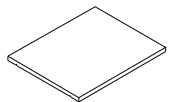
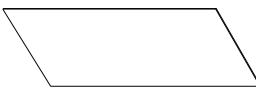
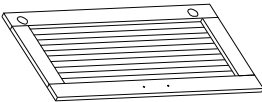
MODEL : #CU6084 CURIO CABINET





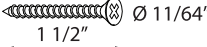
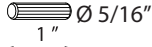
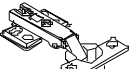
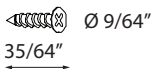
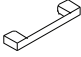
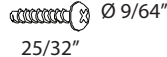
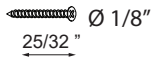
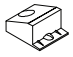
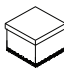
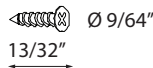

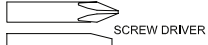

NOTE TO CUSTOMERS:

- For ease and speed of assembly we recommend that before you commence each step of the assembly that you identify all the parts required to complete that step.
- We recommend that where possible you allow sufficient space to assemble the item as close as possible to the place where it will be once assembled.
- For the protection of your furniture we recommend that the product is placed on a dry, soft, smooth and clean surfaces during assembly to prevent any damage. Avoid damp and direct sunlight.
- During assembly do not over tighten the screws or bolts, as this may damage the product.
- Please ensure you retain all the product packaging until the item is completely assembled.
- Periodically check all fitting and re-tighten as necessary.
- Never allow any liquids to remain on your furniture as absorption can cause the wood to warp or finish to de-laminate.
- It is recommended that this item should be assembled by two adults.

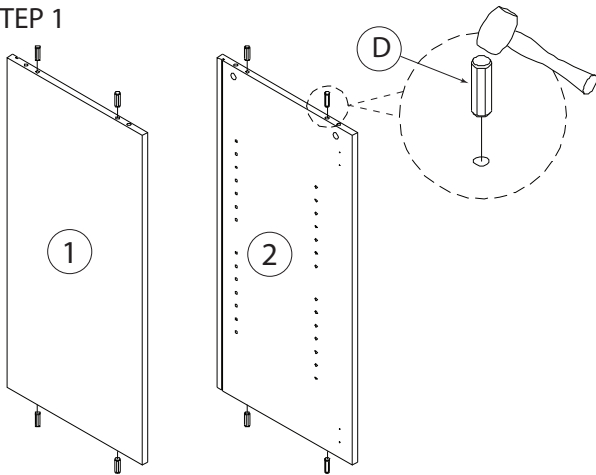
PARTS IDENTIFICATION

<p>① Quantity: 1</p>  <p>Side Panel Left</p>	<p>② Quantity: 1</p>  <p>Side Panel Right</p>	<p>③ Quantity: 1</p>  <p>Top Panel</p>	<p>④ Quantity: 1</p>  <p>Base Panel</p>	<p>⑤ Quantity: 2</p>  <p>Shelve Panel</p>
<p>⑥ Quantity: 1</p>  <p>Back Panel</p>	<p>⑦ Quantity: 1</p>  <p>Door</p>			

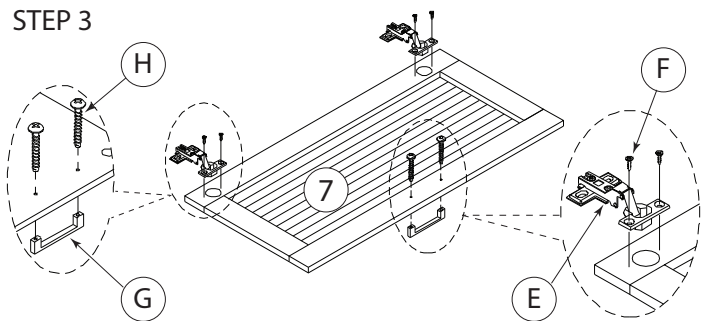
HARDWARE LIST

<p>Ⓐ Connecting Bolts</p>  <p>Quantity: 4 pcs</p>	<p>Ⓑ Camlocks D15 x12.5mm</p>  <p>Quantity: 4 pcs</p>	<p>Ⓒ Screw #9 x 1 1/2"</p>  <p>Quantity: 4 pcs</p>	<p>Ⓓ Wooden Dowel M8 x 25</p>  <p>Quantity: 8 pcs</p>	<p>Ⓔ Hinges</p>  <p>Quantity: 2 pcs</p>
<p>Ⓕ Hinges Screw M3.5 x 14</p>  <p>Quantity: 8 pcs</p>	<p>Ⓖ Door Pull</p>  <p>Quantity: 1 pc</p>	<p>Ⓗ Door Pull Screw Pan Head #6 x 20</p>  <p>Quantity: 2 pcs</p>	<p>Ⓘ Corner Wedge Screw m3 x 20mm</p>  <p>Quantity: 4 pcs</p>	<p>Ⓙ Corner Wedge</p>  <p>Quantity: 4 pcs</p>
<p>Ⓚ Leg</p>  <p>Quantity: 4 pcs</p>	<p>Ⓛ Hinges Screw M3.5 x 12</p>  <p>Quantity: 16 pcs</p>	<p>Ⓜ Shelve support pin</p>  <p>Quantity: 8 pcs</p>	<p>TOOLS REQUIRED</p>  	

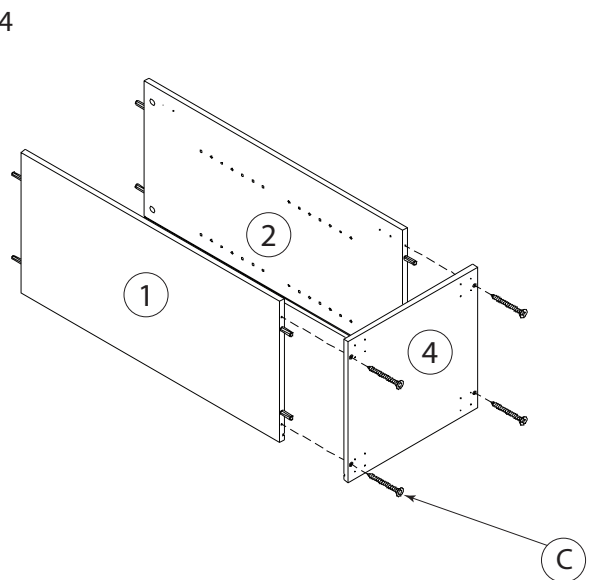
STEP 1



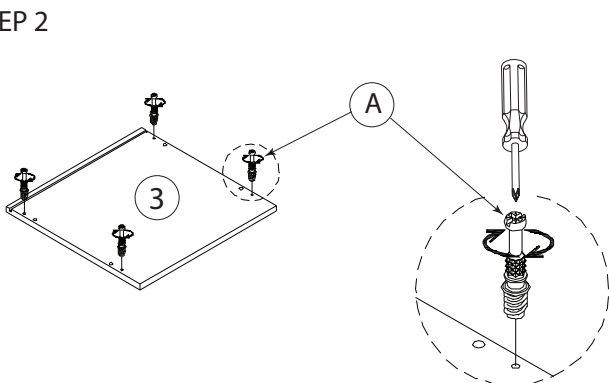
STEP 3



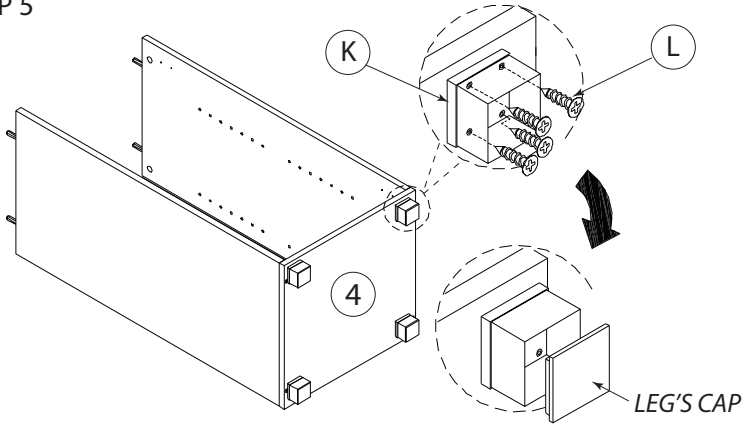
STEP 4



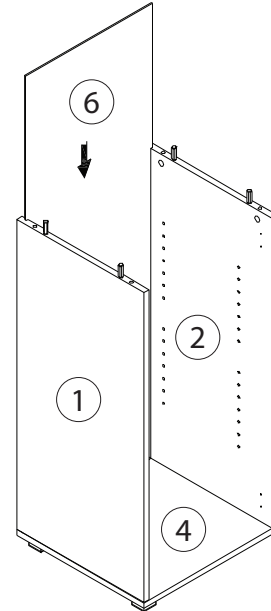
STEP 2



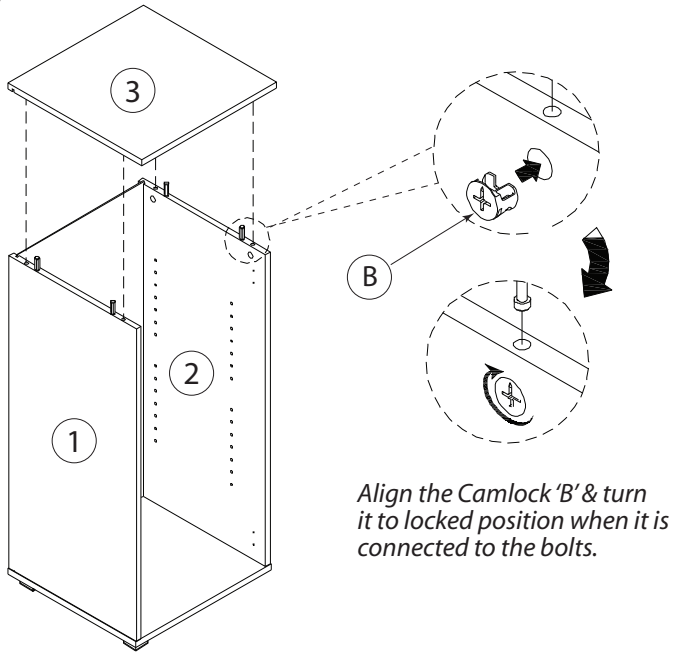
STEP 5



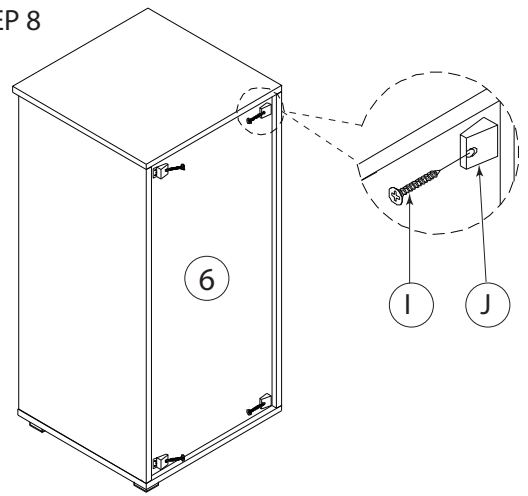
STEP 6



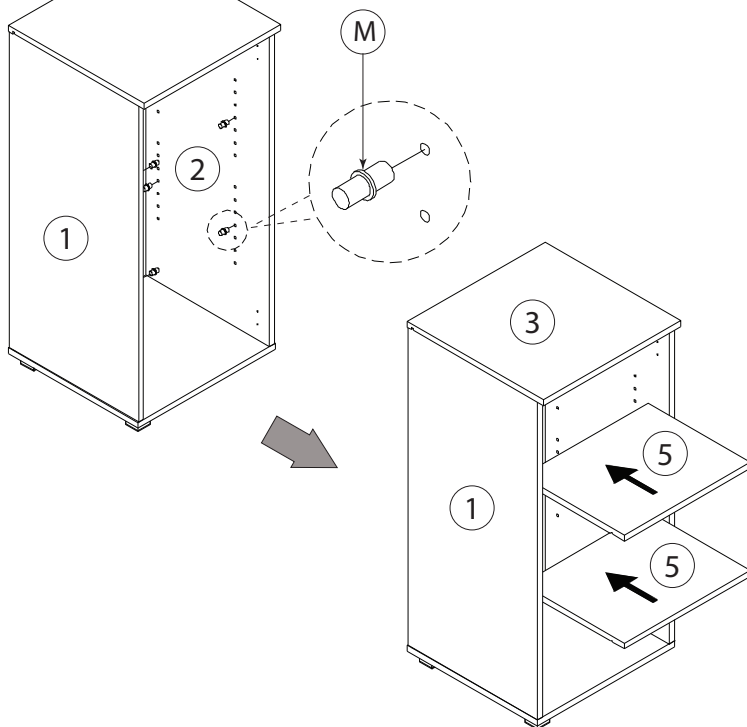
STEP 7



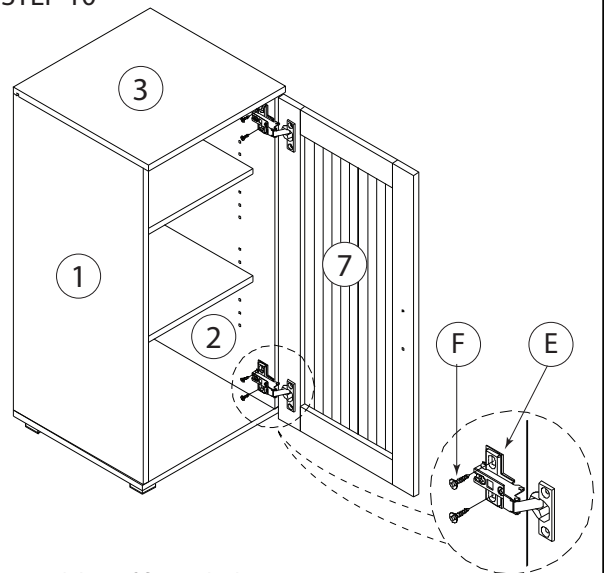
STEP 8



STEP 9



STEP 10



Guideline of fixing the hinges

A-Lateral adjustment by adjusting the screws in hinges arm. B-Vertical adjustment by adjusting the screws in hinges arm. C-Front to back by adjusting the sliding hinges and tighten it.

