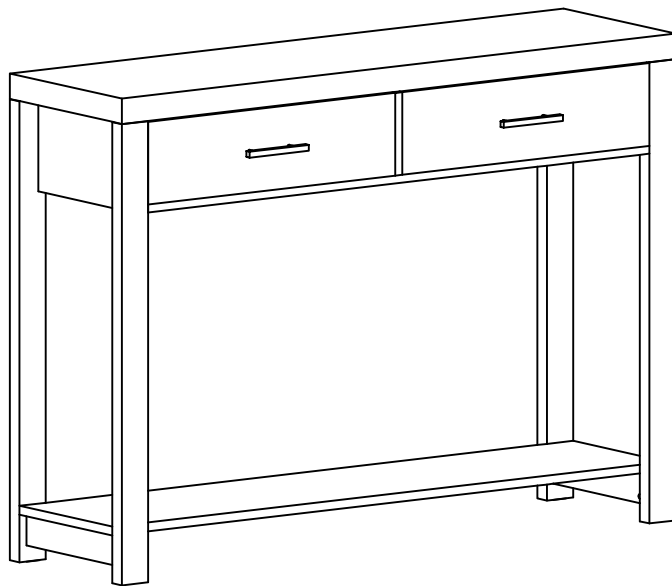


ASSEMBLY INSTRUCTIONS

Style # C1155-BL&C1155-WH Console Table



NOTE TO CUSTOMERS:

- For ease and speed of assembly we recommend that before you commence each step of the assembly that you identify all the parts required to complete that step.
- We recommend that where possible you allow sufficient space to assemble the item as close as possible to the place where it will be once assembled.
- For the protection of your furniture we recommend that the product is placed on protected surfaces during assembly to prevent any damage.
- During assembly do not over tighten, as this may damage the product.
- Please ensure you retain all the product packaging until the item completely assembled.
- Please periodically check all fittings and re-tighten as necessary.
- It is recommended that this item should be assembled by two adults.

To insert a cam lock: (Please read below instructions before assembling)

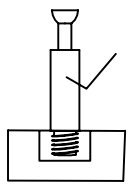
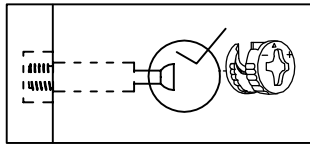


Diagram A



1. Insert cam screw into hole as shown in diagram A .

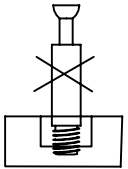
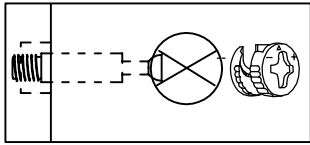


Diagram B



Make sure not to insert the cam screw:
Too deep as shown in figure B as this will cause the
cam screw to be misaligned and unable to
interlock properly.

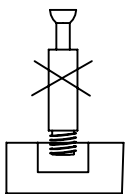
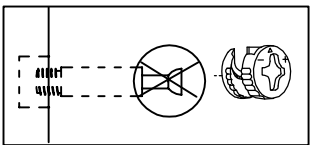
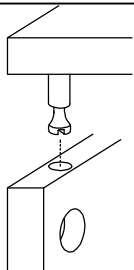


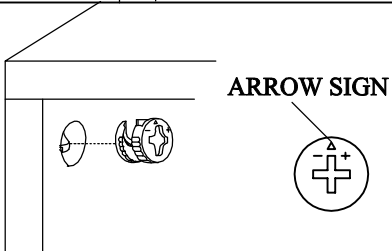
Diagram C



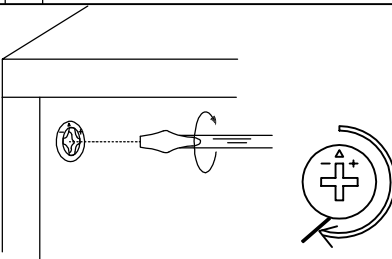
Also avoid inserting the cam screw too close to the
surface of the hole as shown in figure C, as this will
cause the cam lock to be too loose, and not interlock
properly.



2. Connect the panels together.



3. When inserting the cam lock make sure the arrow
of the cam lock faces the cam screw.



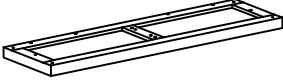
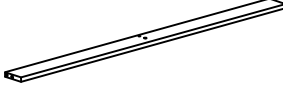

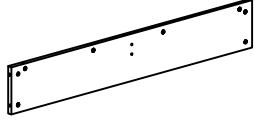
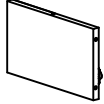
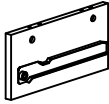
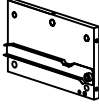

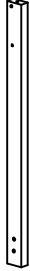


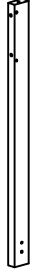
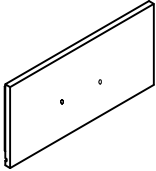
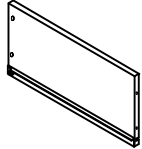
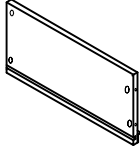
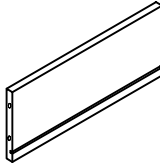
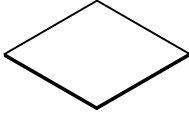
4. To tighten the cam lock turn the cam lock clockwise
90-180 degree or until the arrow is facing opposite
the place cam lock was inserted.

**NOTE: DO NOT USE AN AUTOMATIC
SCREWDRIVER TO TIGHTEN CAM LOCKS.**

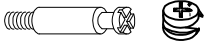
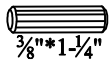
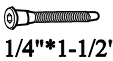
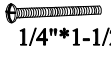
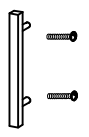

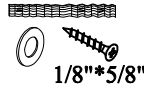

Note:

- Read these instructions carefully before assembling.
- Tools required : Phillips screwdriver, flat screwdriver.
- Find a clean, smooth area on which to work , such as a carpet, in order to avoid scratching the wood surfaces.
- Wait to dispose of the packing material until assembly is complete and all parts and hardware are accounted for.
- Two or more people might be required for assembly.

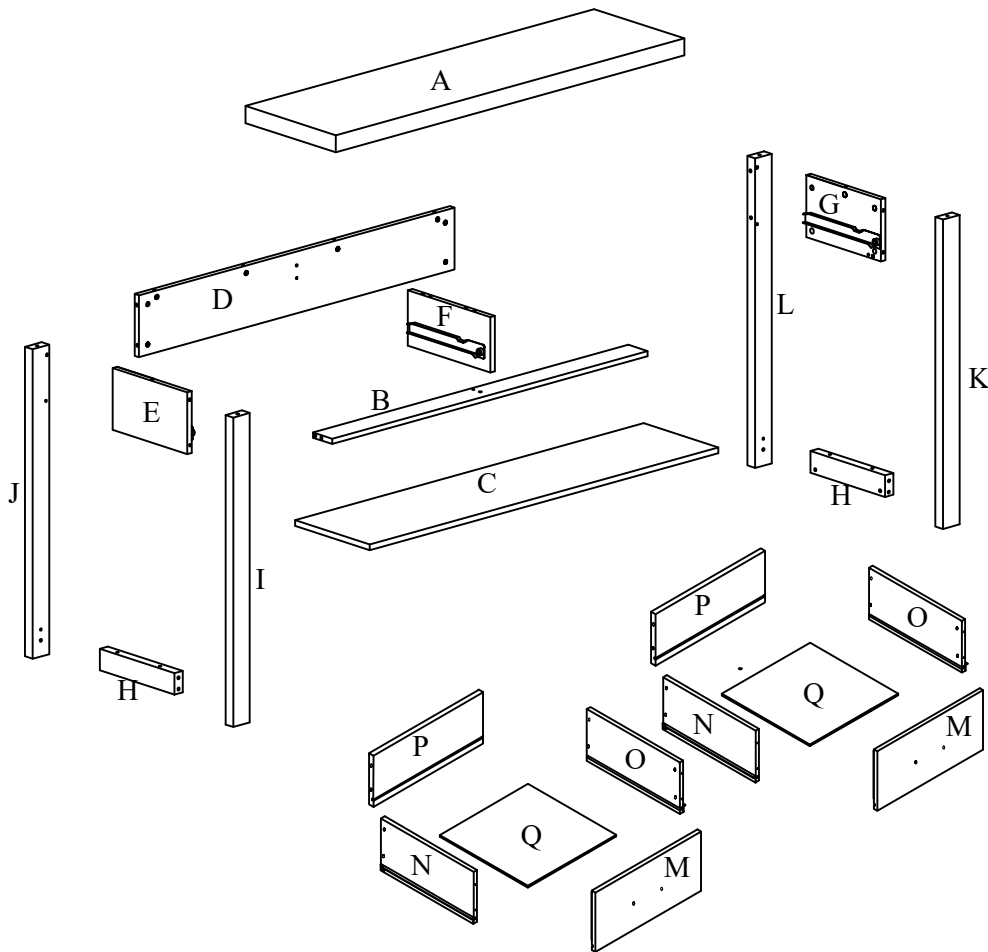
Part List

<p>A</p> <p style="text-align: right;">Quantity of 1</p>  <p>Top Panel</p>	<p>B</p> <p style="text-align: right;">Quantity of 1</p>  <p>Upper Connect Bar</p>	<p>C</p> <p style="text-align: right;">Quantity of 1</p>  <p>Bottom Panel</p>	<p>D</p> <p style="text-align: right;">Quantity of 1</p>  <p>Back Panel</p>
<p>E</p> <p style="text-align: right;">Quantity of 1</p>  <p>Side Panel(Left)</p>	<p>F</p> <p style="text-align: right;">Quantity of 1</p>  <p>Divider</p>	<p>G</p> <p style="text-align: right;">Quantity of 1</p>  <p>Side Panel(Right)</p>	<p>H</p> <p style="text-align: right;">Quantity of 2</p>  <p>Lower Connect Bar</p>
<p>I</p> <p style="text-align: right;">Quantity of 1</p>  <p>Front Leg(Left)</p>	<p>J</p> <p style="text-align: right;">Quantity of 1</p>  <p>Rear Leg(Left)</p>	<p>K</p> <p style="text-align: right;">Quantity of 1</p>  <p>Front Leg(Right)</p>	<p>L</p> <p style="text-align: right;">Quantity of 1</p>  <p>Rear Leg(Right)</p>
<p>M</p> <p style="text-align: right;">Quantity of 2</p>  <p>Drawer Front Panel</p>	<p>N</p> <p style="text-align: right;">Quantity of 2</p>  <p>Drawer Side Panel(Left)</p>	<p>O</p> <p style="text-align: right;">Quantity of 2</p>  <p>Drawer Side Panel(Right)</p>	<p>P</p> <p style="text-align: right;">Quantity of 2</p>  <p>Drawer Back Panel</p>
<p>Q</p> <p style="text-align: right;">Quantity of 2</p>  <p>Drawer Bottom Panel</p>			

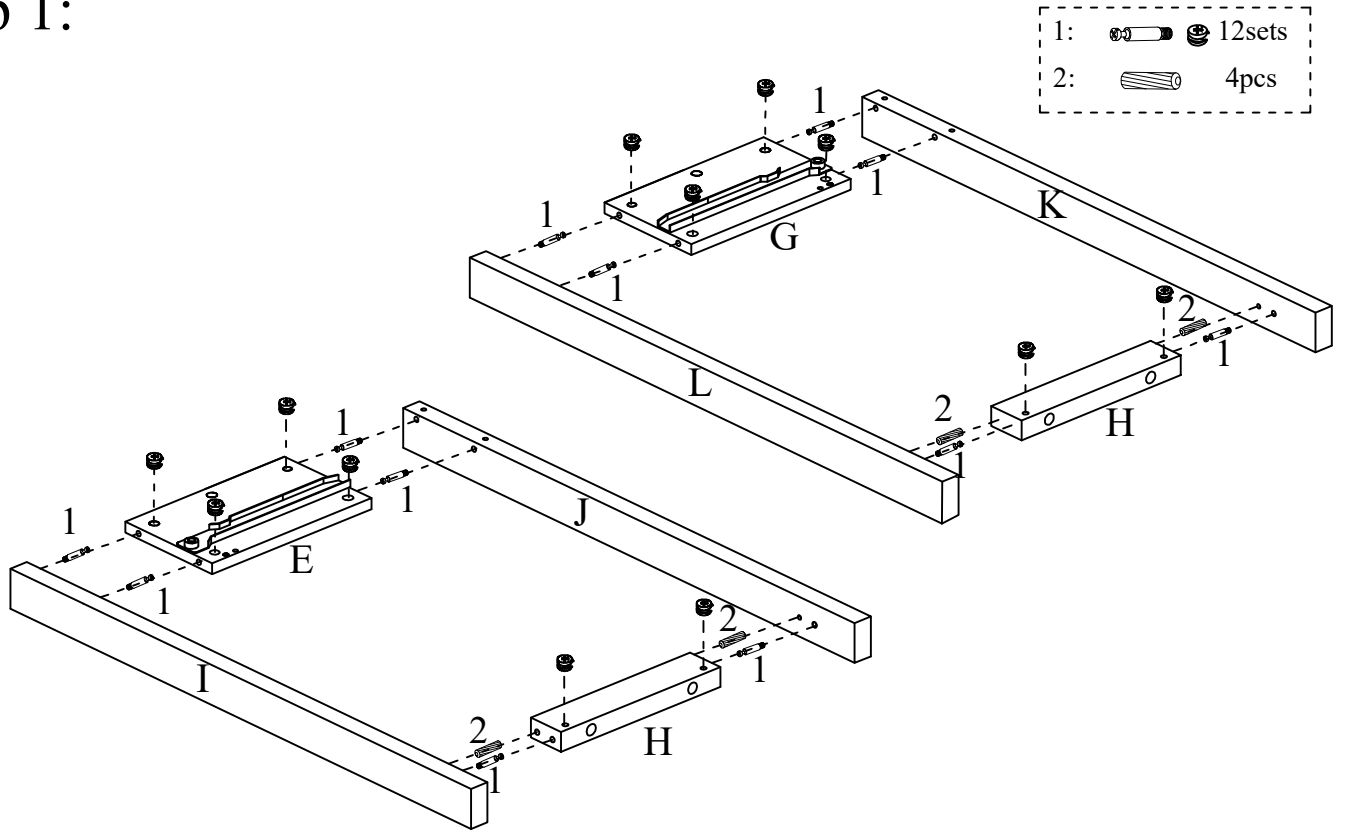
Hardware List

1	Quantity of 36	2	Quantity of 11	3	Quantity of 11	4	Quantity of 4
							
Camlock		Wood Dowel $\frac{3}{8}'' \times 1\text{-}\frac{1}{4}''$		Bolt $\frac{1}{4}'' \times 1\text{-}\frac{1}{2}''$		Bolt with Washer $\frac{1}{4}'' \times 1\text{-}\frac{1}{2}''$	
5	Quantity of 2	6	Quantity of 1	7	Quantity of 1		
							
Handle with Bolt		Anchor with screw $\frac{1}{8}'' \times 1\text{-}\frac{1}{4}''$		Anti-tip kit $\frac{1}{8}'' \times \frac{5}{8}''$		Allen Wrench	

Part List

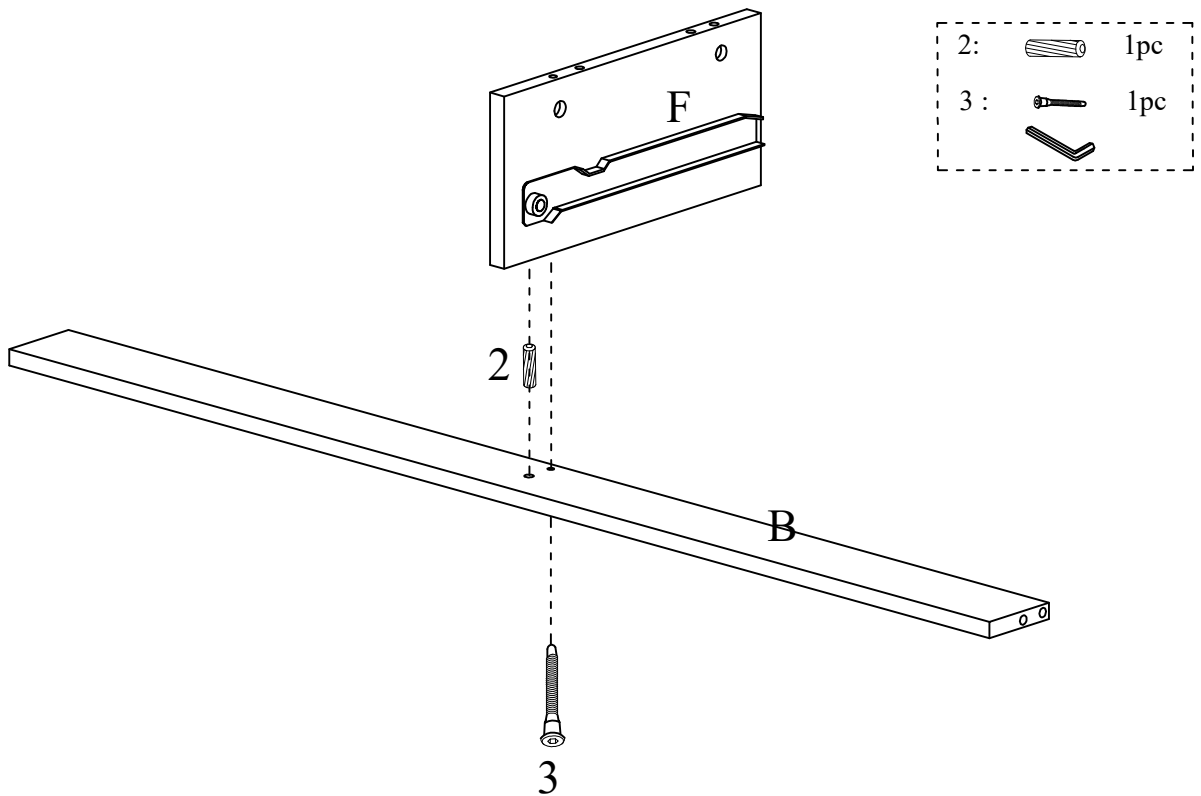


Step 1:



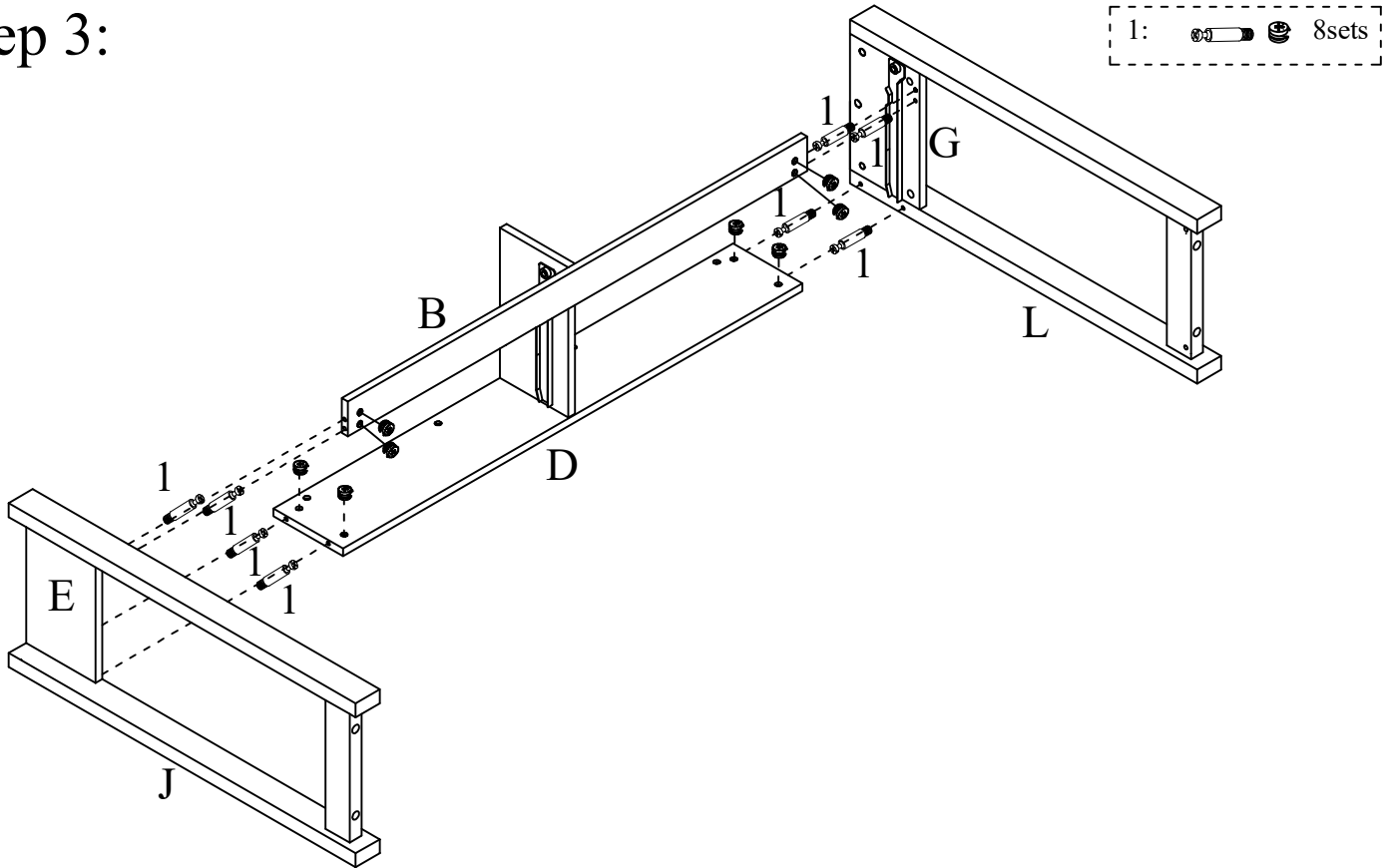
Assemble Legs (I & J & L & K) to Side Panels (E & G) and Lower Connect Bar (H) using Cam-Locks (1) and Wood Dowels (2) as shown above.

Step 2:



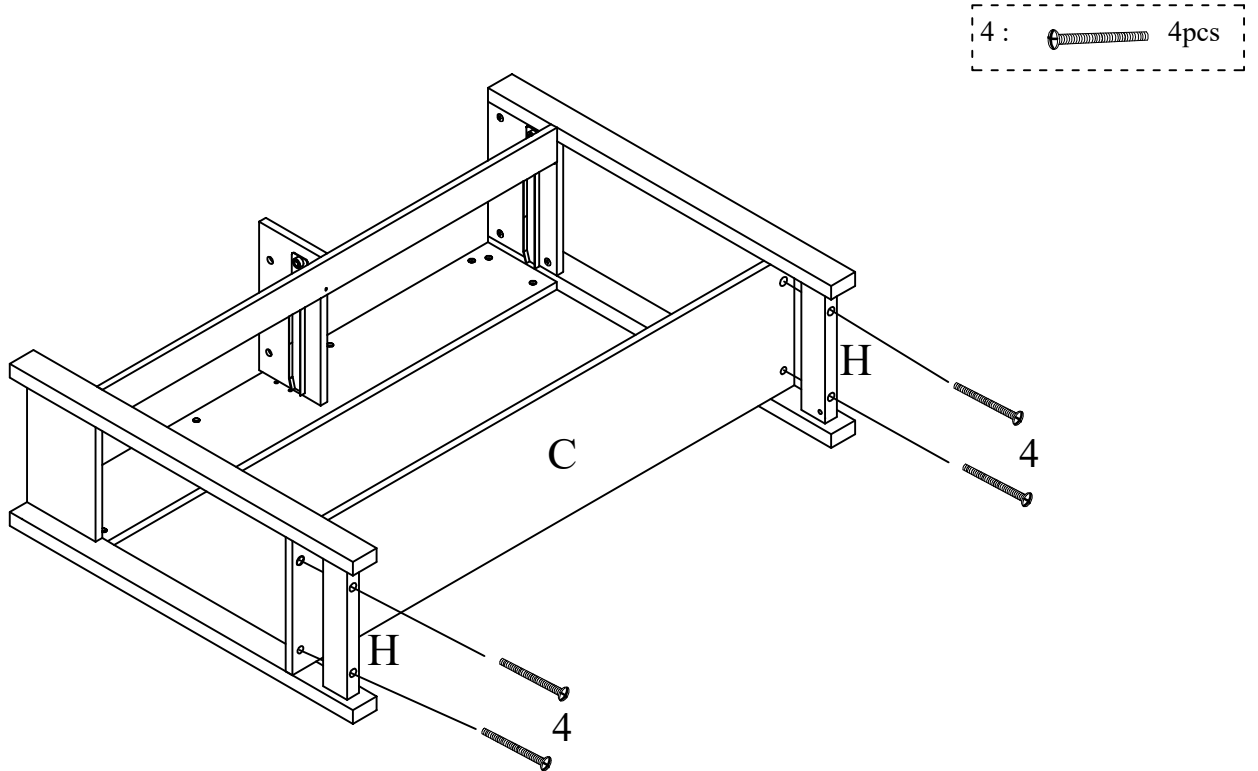
Assemble Divider (F) to Upper Connect Bar (B) using Wood Dowel (2) and Bolt (3) as shown above.

Step 3:



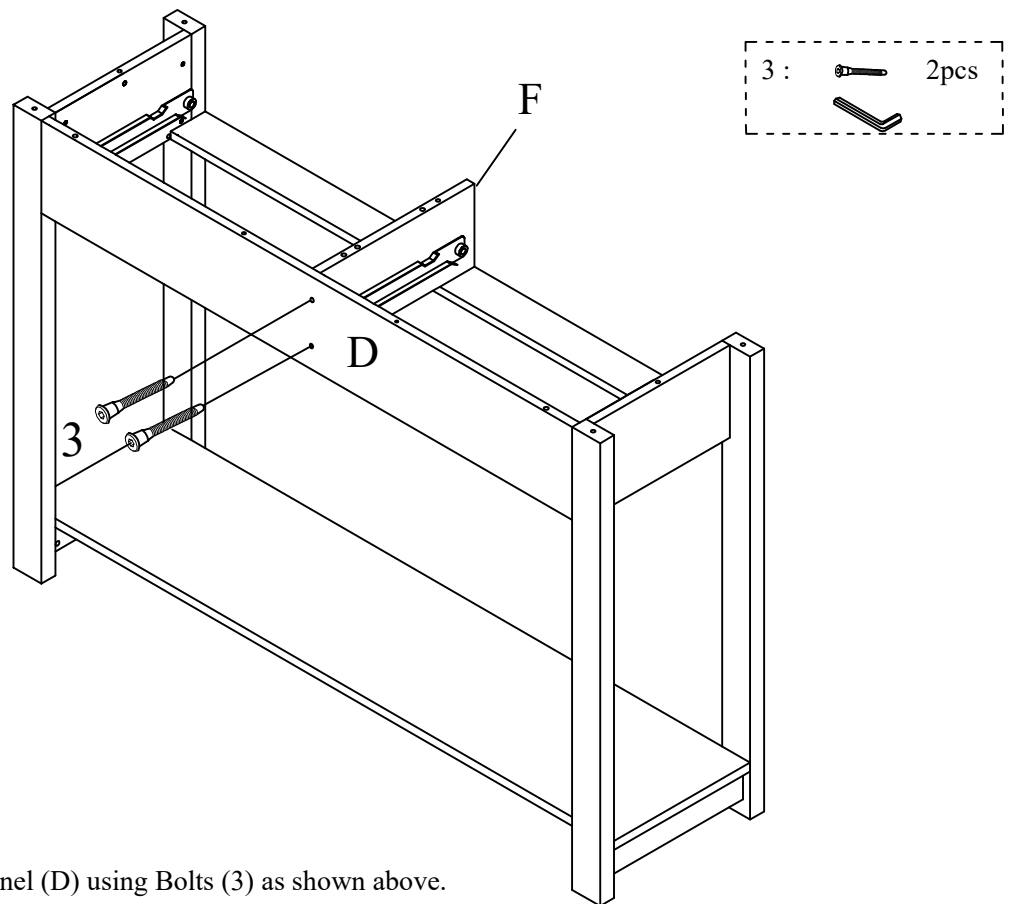
Assemble Upper Connect Bar (B) and Back Panel (D) to Side Panels (E & G) and Rear Legs (J & L) using Cam-Locks (1) as shown above.

Step 4:



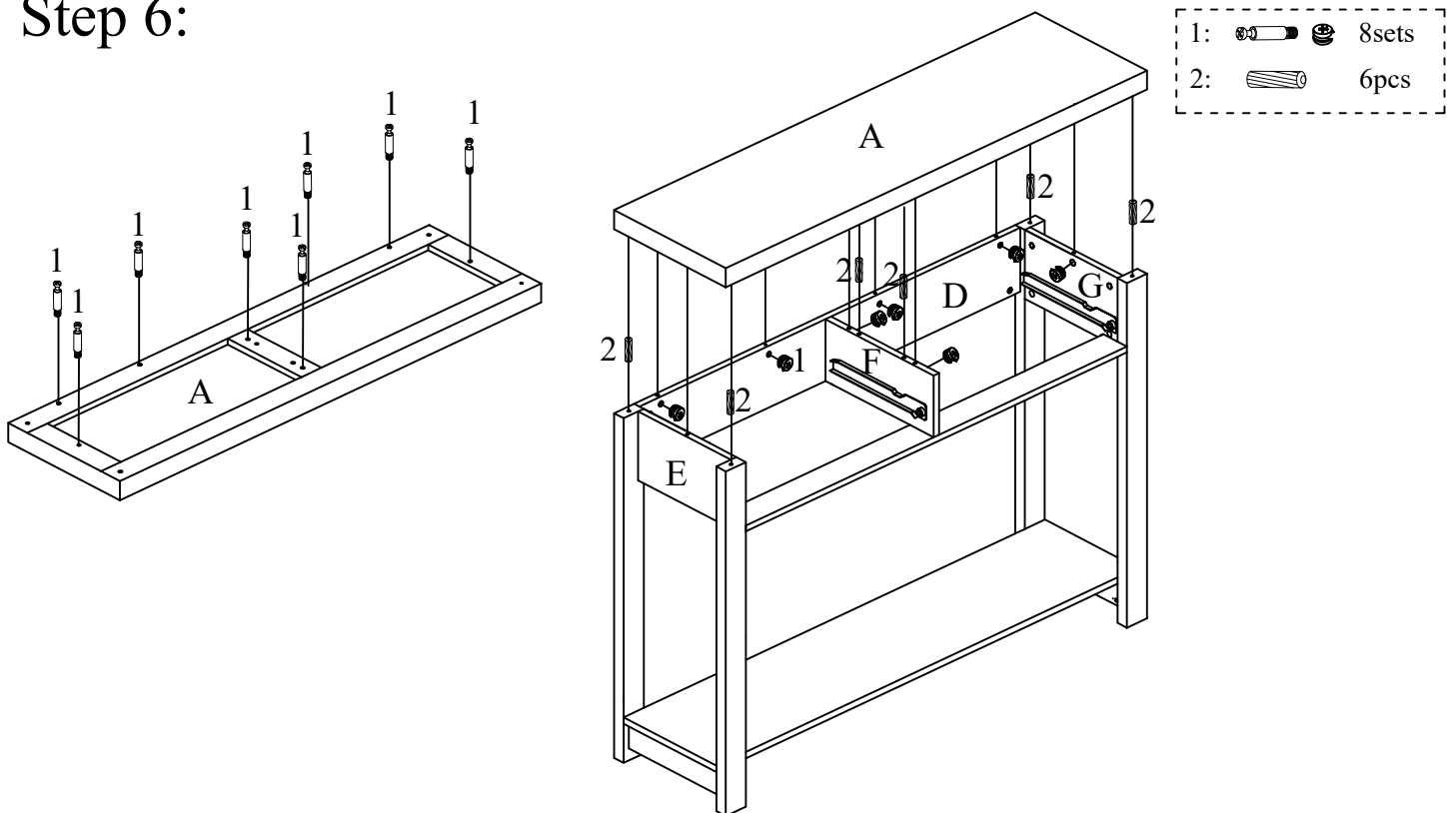
Assemble Bottom Panel (C) to Lower Connect Bars (H) using Bolts (4) as shown above.

Step 5:



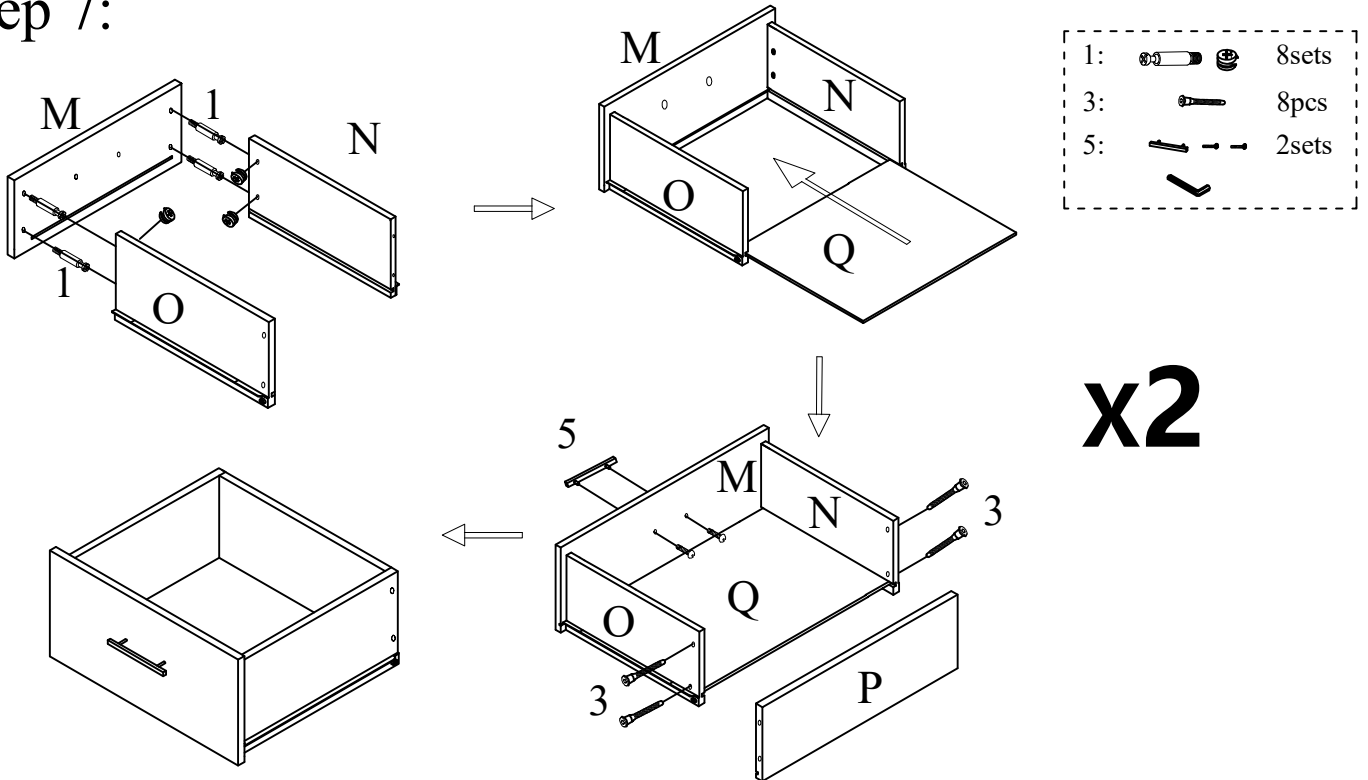
Assemble Divider (F) to Back Panel (D) using Bolts (3) as shown above.

Step 6:



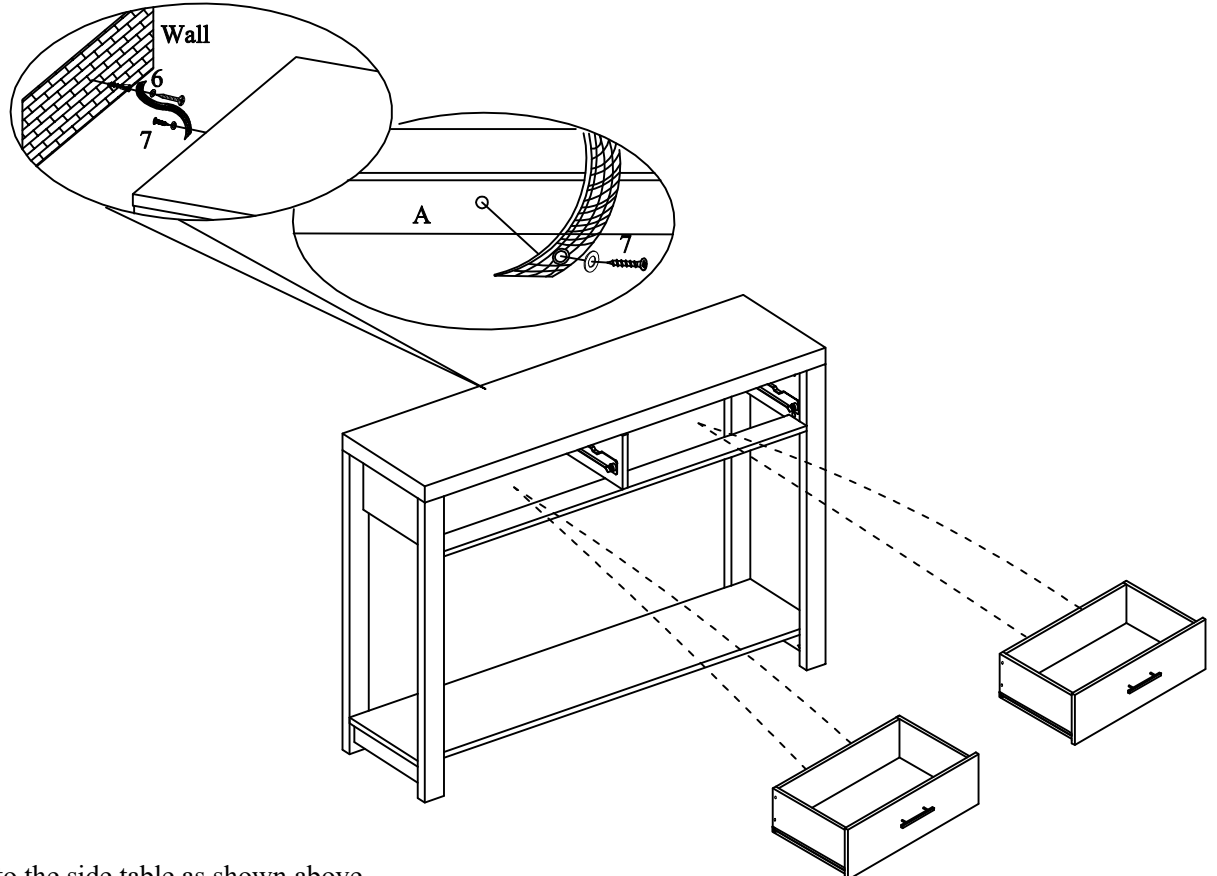
Assemble Top Panel (A) to Legs (I & J & K & L), Divider (F) and Side Panels (E & G), Back Panel (D) using Wood Dowels (2) and Cam-Locks (1) as shown above.

Step 7:



Assemble Drawer Side Panels (O & N) to Drawer Front Panel (M) using Cam-Locks (1).
 Insert Drawer Bottom Panel (Q) into the grooves on Drawer Side (O & N) and Front Panel (M).
 Attach Drawer Back Panel (P) to Drawer Side Panels (O & N) using Bolts (3).
 Attach Drawer Handles (5) to Drawer Front Panels (M) using Included bolts.

Step 8:



Insert Drawer into the side table as shown above.
 For your safety, attached this unit to the wall by Anchor with screw (6) and Anti-tip kit (7).