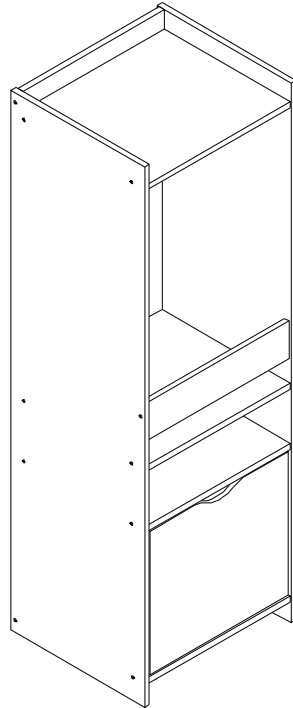


# ASSEMBLY INSTRUCTIONS


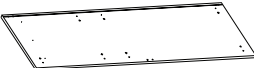
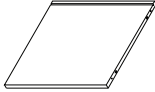
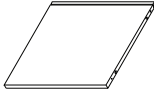

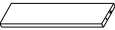




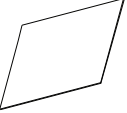
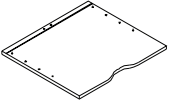


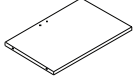
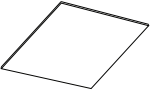

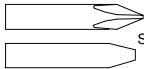

## MODEL : #BK1045 BOOKCASE





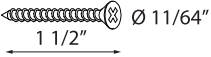

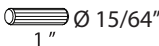

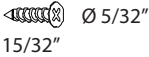

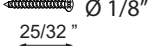


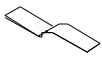
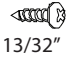

### NOTE TO CUSTOMERS:

- For ease and speed of assembly we recommend that before you commence each step of the assembly that you identify all the parts required to complete that step.
- We recommend that where possible you allow sufficient space to assemble the item as close as possible to the place where it will be once assembled.
- For the protection of your furniture we recommend that the product is placed on a dry, soft, smooth and clean surfaces during assembly to prevent any damage. Avoid damp and direct sunlight.
- During assembly do not over tighten the screws or bolts, as this may damage the product.
- Please ensure you retain all the product packaging until the item is completely assembled.
- Periodically check all fitting and re-tighten as necessary.
- Never allow any liquids to remain on your furniture as absorption can cause the wood to warp or finish to de-laminate.
- It is recommended that this item should be assembled by two adults.

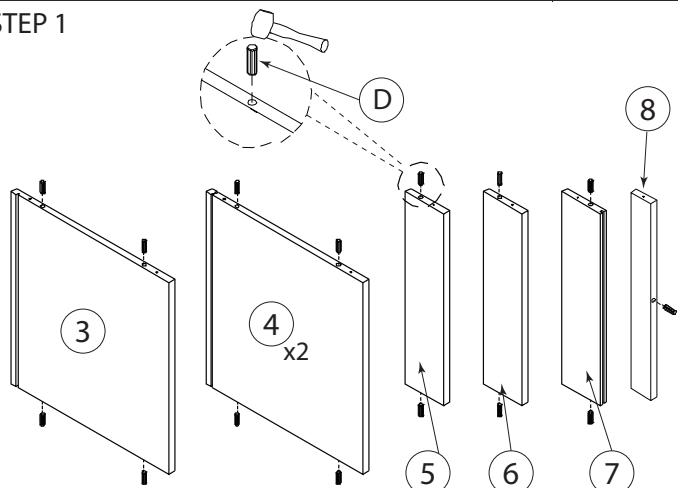
## PARTS IDENTIFICATION

<p>① Quantity: 1</p>  <p>Side Panel Left</p>	<p>② Quantity: 1</p>  <p>Side Panel Right</p>	<p>③ Quantity: 1</p>  <p>Top Panel</p>	<p>④ Quantity: 2</p>  <p>Middle Shelve Panel</p>	<p>⑤ Quantity: 1</p>  <p>Front Rail</p>
<p>⑥ Quantity: 1</p>  <p>Base Front Rail</p>	<p>⑦ Quantity: 1</p>  <p>Base Back Rail</p>	<p>⑧ Quantity: 1</p>  <p>Top Back Rail</p>	<p>⑨ Quantity: 1</p>  <p>Upper Back panel</p>	<p>⑩ Quantity: 1</p>  <p>Middle Back panel</p>
<p>⑪ Quantity: 1</p>  <p>Lower Back Panel</p>	<p>⑫ Quantity: 1</p>  <p>Drawer Front Panel</p>	<p>⑬ Quantity: 1</p>  <p>Drawer Side - Left</p>	<p>⑭ Quantity: 1</p>  <p>Drawer Side - Right</p>	<p>⑮ Quantity: 1</p>  <p>Drawer Back</p>
<p>⑯ Quantity: 1</p>  <p>Drawer Base Panel</p>	<p>⑰ Quantity: 1</p>  <p>Drawer Base Support Rail</p>	<p><b>TOOLS REQUIRED</b></p>  SCREW DRIVER  MALLET		

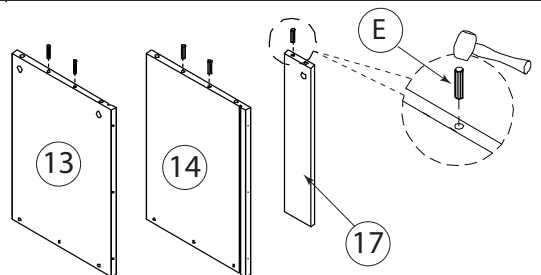
## HARDWARE LIST

<p><b>A</b> Connecting Bolts</p>  <p>Quantity: 5 pcs</p>	<p><b>B</b> Camlocks D12 x 9.5mm</p>  <p>Quantity: 5 pcs</p>	<p><b>C</b> Screw #9 x 1 1/2"</p>  <p>Quantity: 28 pcs</p>	<p><b>D</b> Wooden Dowel M8 x 25</p>  <p>Quantity: 19 pcs</p>	<p><b>E</b> Wooden Dowel M6 x 25</p>  <p>Quantity: 5 pcs</p>
<p><b>F</b> Drawer Slide</p>  <p>Quantity: 1 set</p>	<p><b>G</b> Slide's Screw M4 x 12</p>  <p>Quantity: 12 pcs</p>	<p><b>H</b> Corner Wedge</p>  <p>Quantity: 8 pcs</p>	<p><b>I</b> Corner Wedge Screw M3 x 20mm</p>  <p>Quantity: 8 pcs</p>	<p><b>J</b> Leg stud</p>  <p>Quantity: 4 pcs</p>
<p><b>K</b> Sticker</p>  <p>Quantity: 20 pcs</p>	<p><b>L</b> Anti-tip strap</p>  <p>Quantity: 1 pc</p>	<p><b>M</b> Screw Panhead M3.5 x 12</p>  <p>Quantity: 1 pc</p>	<p><b>N</b> Flat washer</p>  <p>Quantity: 1 pc</p>	

### STEP 1



### STEP 2



### STEP 3

